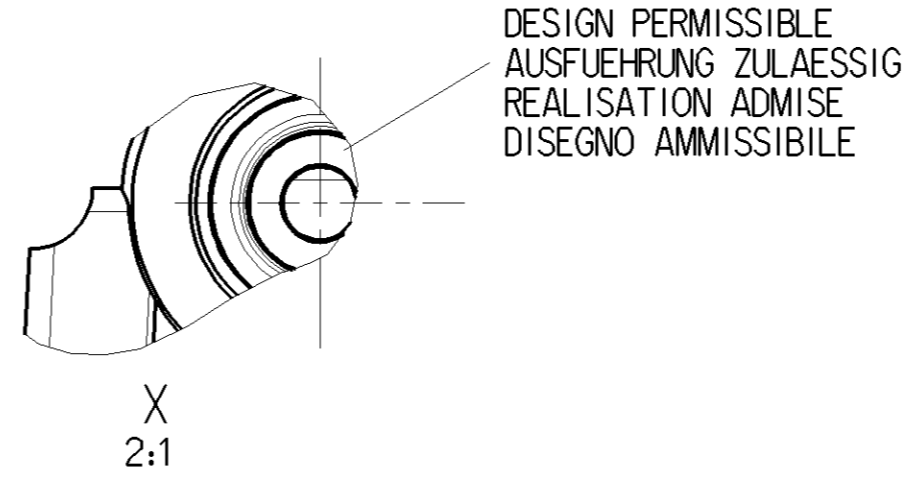
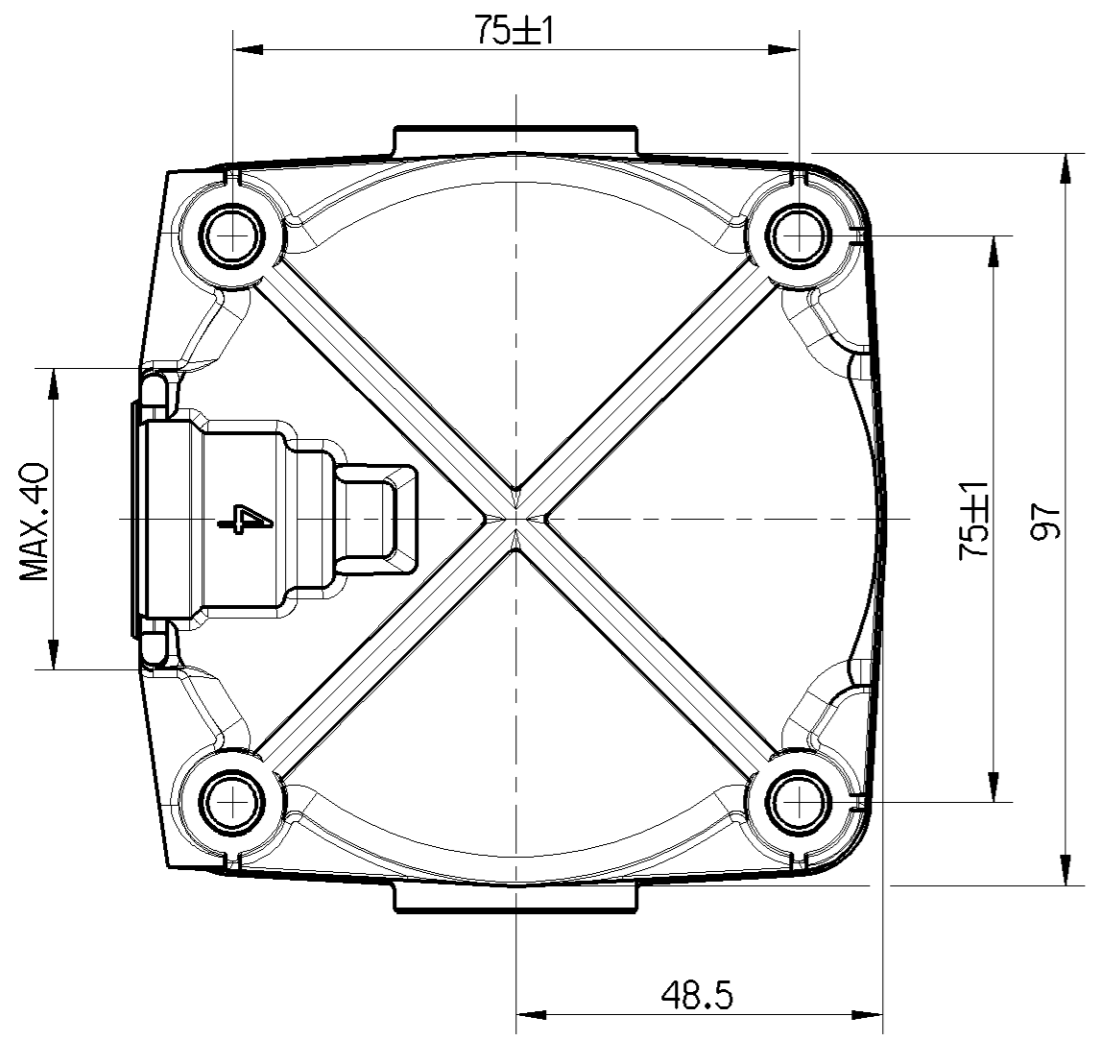
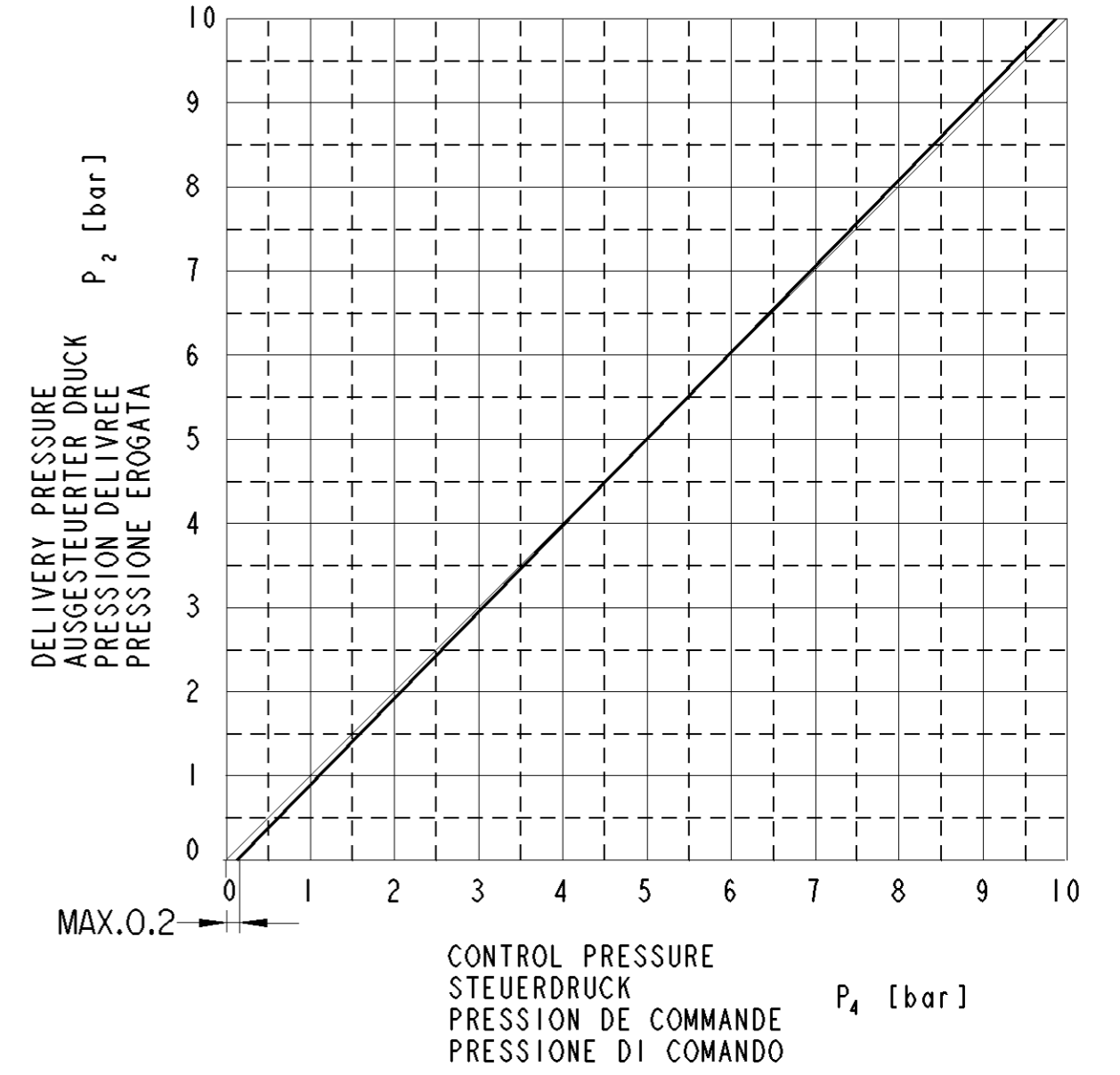
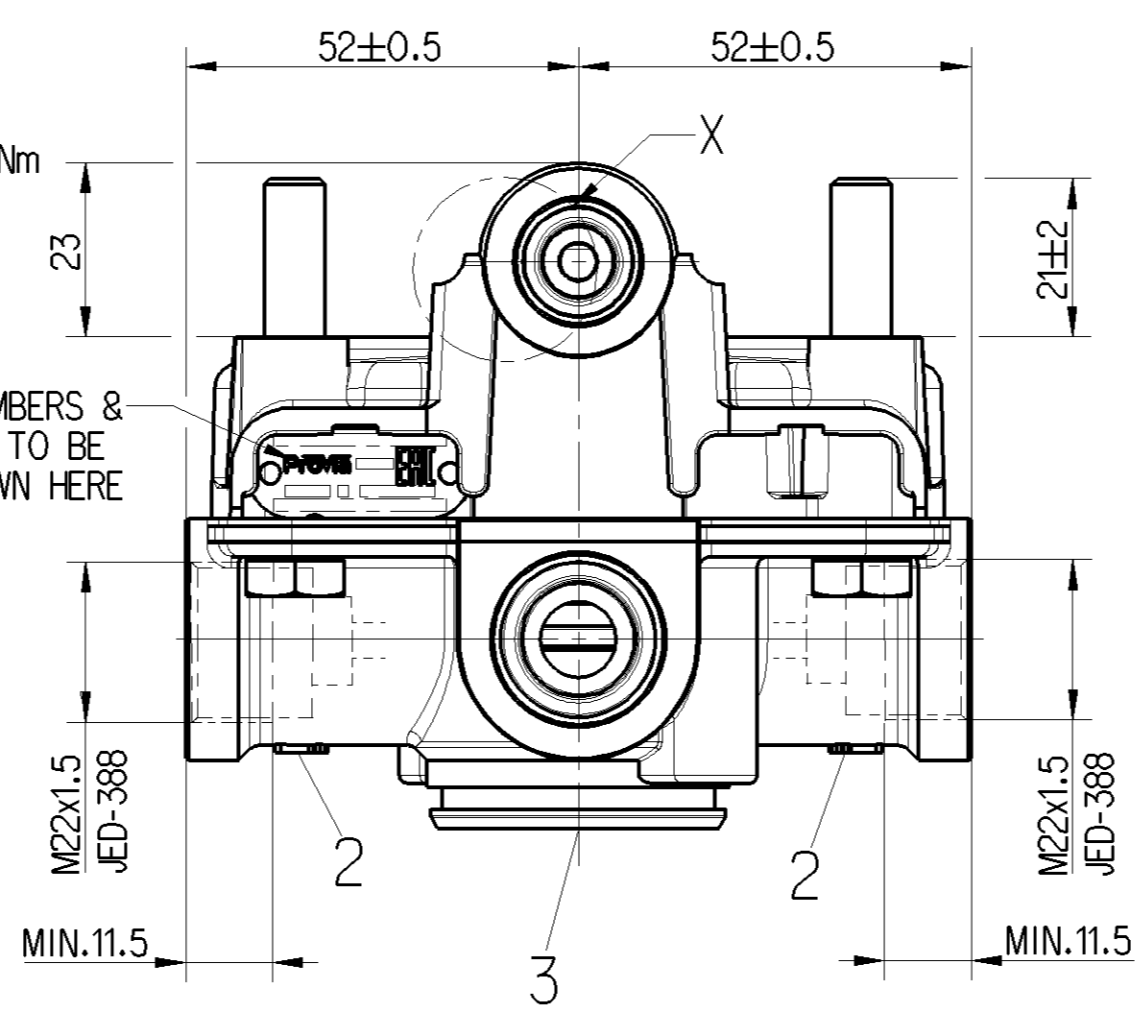
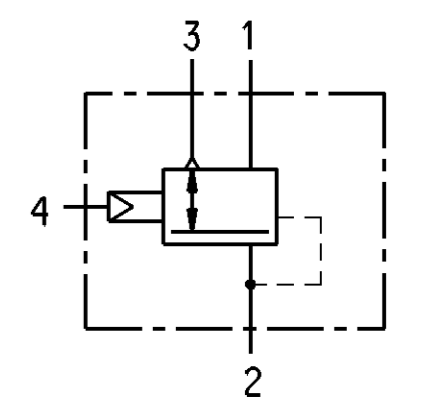


TORQUE:
ANZUGSMOMENT: MAX. M=24Nm
COUPLE DE SERRAGE:
COPPIA DI SERRAGGIO:

ASSEMBLY PART NUMBERS & MANUFACTURE DATE TO BE SHOWN HERE



- 1 SUPPLY VORRAT ALIMENTATION ALIMENTAZIONE
- 2 DELIVERY PRESSURE AUSGESTEUERTER DRUCK PRESSION DELIVREE PRESSIONE EROGATA
- 3 EXHAUST ENTLUEFTUNG ECHAPPEMENT SCARICO
- 4 CONTROL PRESSURE STEUERDRUCK PRESSION DE COMMANDE PRESSIONE DI COMANDO



MEDIUM : AIR
MEDIUM : LUFT
FLUIDE : AIR
FLUIDO : ARIA

WORKING PRESSURE:
BETRIEBSDRUCK: MAX. p_e = 10 bar
PRESSION DE SERVICE:
PRESSIONE D' ESERCIZIO:

THERMAL RANGE OF APPLICATION:
THERMISCHER ANWENDUNGSBEREICH: -40° . . . +80° C
GAMME D' APPLICATION THERMIQUE:
CAMPO DI APPLICAZIONE TERMICA:

TORQUE FOR CONNECTIONS:
ANZUGSMOMENT FUER EINSCHRAUBSTUTZEN: M16x1.5 : M max. = 34 Nm
COUPLE DE SERRAGE DES RACCORDS: M22x1.5 : M max. = 53 Nm
COPPIA DI SERRAGGIO DEI RACCORDI:

TEMPORARILY:
KURZZEITIG: MAX. p_e = 13 bar
DE COURTE DUREE:
BREVE TEMPO SOLO:

SUPPLY PRESSURE:
VORRATSDRUCK: MAX. p_e = 13 bar
PRESSION D' ALIMENTATION:
PRESSIONE DI ALIMENTAZIONE:

PERMISSIBLE INSTALLATION:
ZULAESSIGE EINBAULAGE: ± 90°
POSITION D' INSTALLATION ADMISE:
POSIZIONE DI MONTAGGIO AMMESSA:

General Specification: JED-334-1, Size ISO 14405 LP		Copyright WABCO®		ProVia	
Further Technical Data: PRO 011 004 0		Date	Signature	RELAY VALVE	
Doc. Code: 035	Sheet: 1 To 10	2018-09-20	MALLARASU M.P	RELAISVENTIL	
General Tolerances JED-261		Checked	Aswinkumar	VALVE RELAIS	
Range of Nominal Dimensions (± mm)		Expert		VALVOLA RELE	
Class 1)	≤ 50 > 50 ≤ 180 > 180 ≤ 400 > 400	K P.NAGARAJAN		Date of first issue: 2015-06-05	
Fine	0.5 1.0 1.5 2.0	Mass	Scale	Material No.	
Medium	1.0 2.0 3.0 4.0	707.40	1:1	PRO 011 006 0	
Coarse	2.0 3.5 5.0 6.5	kg	CAD System	Doc.Code Language Sheet	
Tapped Holes acc. JED-388		A 2	CREO	005	ML 1/1
1) Tolerance Class Applied Crossmarked		Size	ECN-No.	Revision	Techn. Resp.
		A 2	177205	1	C 5220_AM
		Replacement for			

Non e permesso, concesso o terzi o riproduzione di questo documento, ne utilizzare il contenuto o renderlo comunque noto o terzi senza autorizzazione esplicita. Ogni infrazione costituisce un evidente abuso e comportera il risarcimento dei danni subiti. E' fatta riserva di tutti i diritti derivanti da brevetti o modelli.
 Coping of this document and giving it to others and the use or communication of the contents thereof, are forbidden without express authority. Contravention of this restriction will constitute an evident abuse and result in a liability to the payment of damages. All rights are reserved in the event of the grant of patent or registration of a utility model or design. This document is the subject of copyright.
 Toute communication ou reproduction de ce document, toute exploitation ou communication de son contenu sont interdites, sauf autorisation expresse. Tout manquement a cette regle constitue un abus evident et expose son auteur au versement de dommages et interets. Tous droits de propriete industrielle reserves, notamment en matiere de brevets et de modes.
 Weitergabe sowie Vervielfaltigung dieser Unterlagen, Verleihen und Mitteilen ihres Inhalts nicht gestattet, soweit nicht ausdrucklich ansonsten, weitergegeben, stellen eine offensichtliche Missbrauch dar und verpflichten zu Schadenersatz. Alle Rechte fuer den Fall der Patentierung oder Gebrauchsmuster-Eintragung vorbehalten.

Version: A.3 / scale: Under Review / mds: PRO011006_01.dwg