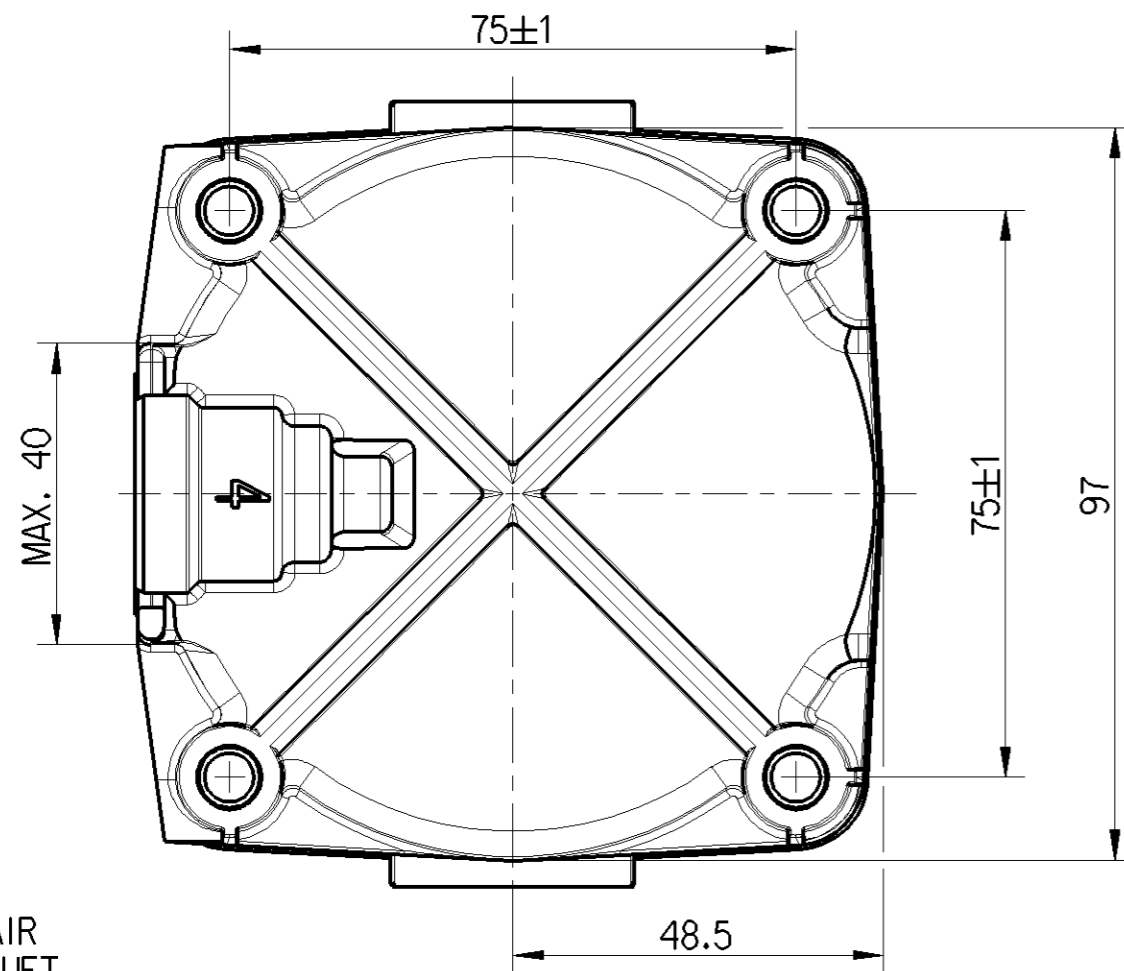
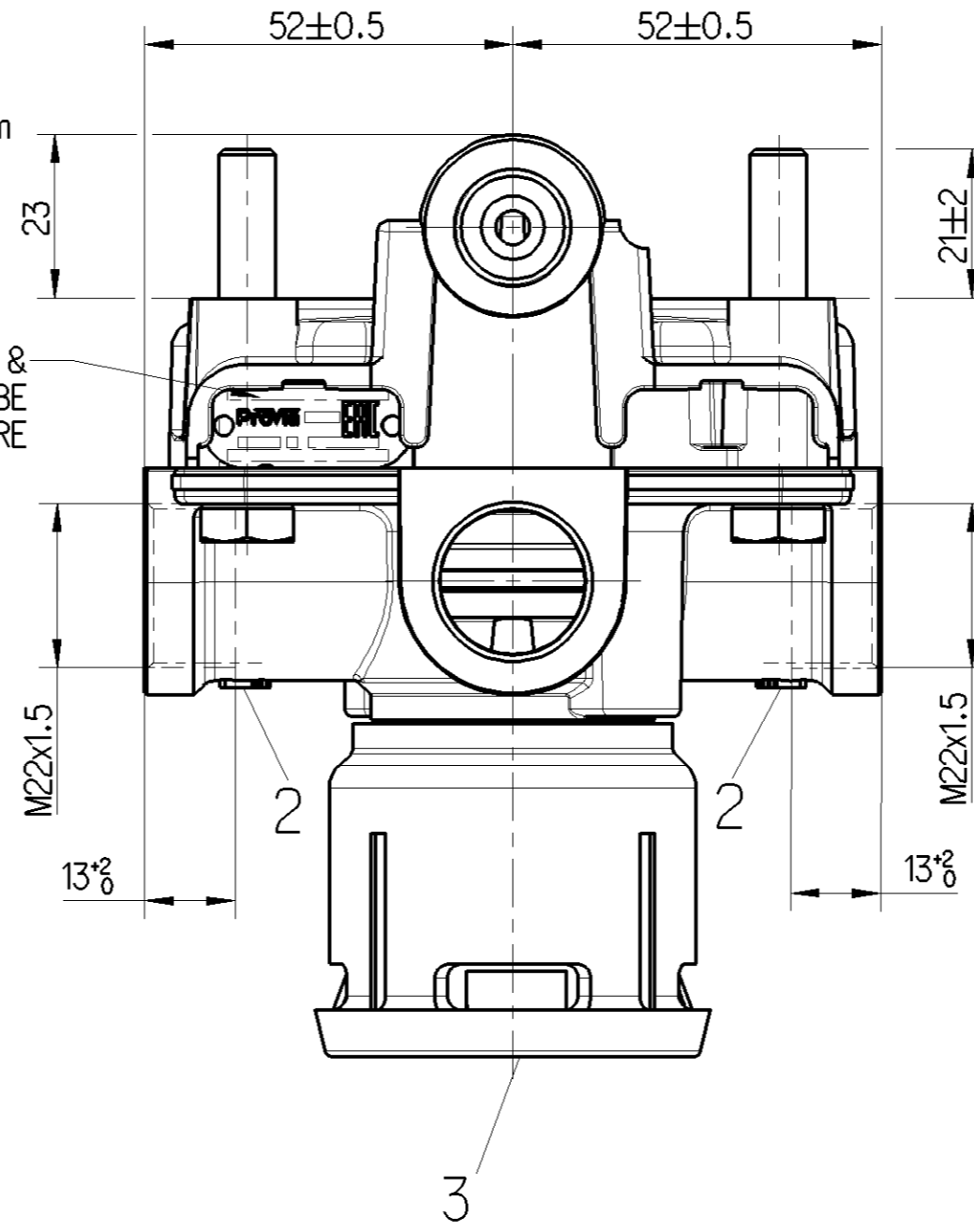


TORQUE:
ANZUGSMOMENT:
COUPLE DE SERRAGE:
COPPIA DI SERRAGGIO:
MAX. M=24Nm

ASSEMBLY PART NUMBERS & MANUFACTURE DATE TO BE SHOWN HERE



MEDIUM : AIR
MEDIUM : LUFT
FLUIDE : AIR
FLUIDO : ARIA

WORKING PRESSURE:
BETRIEBSDRUCK: MAX. $p_e = 10$ bar
PRESSION DE SERVICE:
PRESSIONE D' ESERCIZIO:

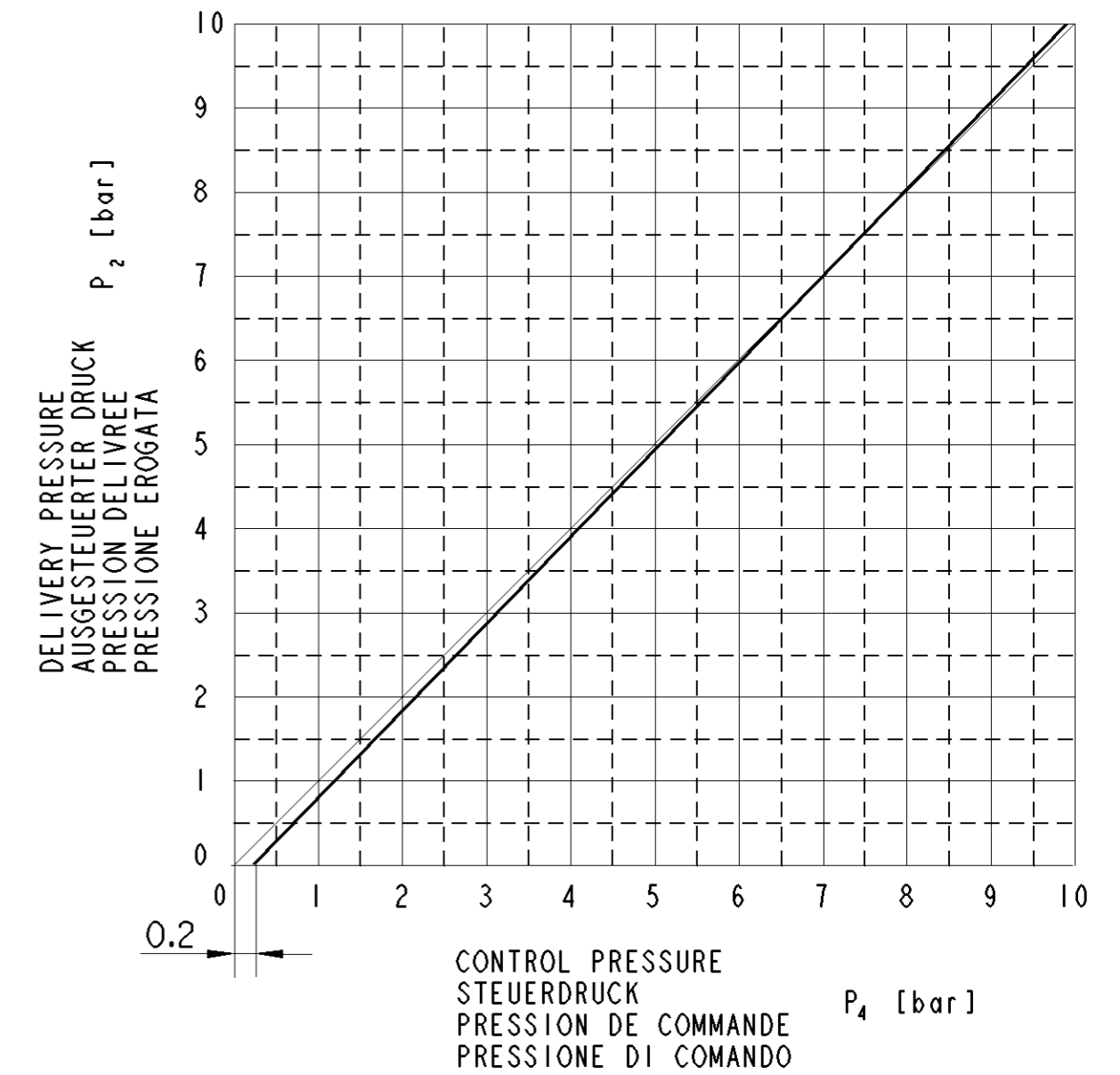
THERMAL RANGE OF APPLICATION:
THERMISCHER ANWENDBEREICH: $-40^\circ \dots +80^\circ$ C
GAMME D' APPLICATION THERMIQUE:
CAMPO DI APPLICAZIONE TERMICA:

TORQUE FOR CONNECTIONS:
ANZUGSMOMENT FUER EINSCHRAUBSTUTZEN: M16x1.5 : M max. = 34 Nm
COUPLE DE SERRAGE DES RACCORDS: M22x1.5 : M max. = 53 Nm
COPPIA DI SERRAGGIO DEI RACCORDI:

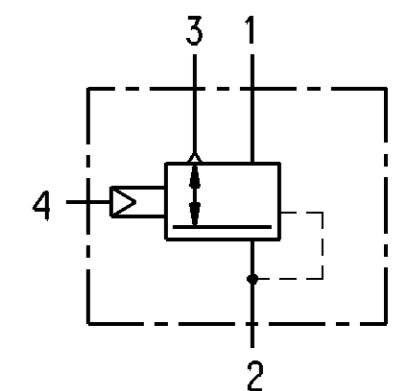
TEMPORARILY:
KURZZEITIG: MAX. $p_e = 13$ bar
DE COURTE DUREE:
BREVE TEMPO SOLO:

SUPPLY PRESSURE:
VORRATSDRUCK: MAX. $p_e = 13$ bar
PRESSION D' ALIMENTATION:
PRESSIONE DI ALIMENTAZIONE:

PERMISSIBLE INSTALLATION:
ZULAESSIGE EINBAULAGE: $\pm 90^\circ$
POSITION D' INSTALLATION ADMISE:
POSIZIONE DI MONTAGGIO AMMESSA:



- 1 SUPPLY
VORRAT
ALIMENTATION
ALIMENTAZIONE
- 2 DELIVERY PRESSURE
AUSGESTEUERTER DRUCK
PRESSION DELIVREE
PRESSIONE EROGATA
- 3 EXHAUST
ENTLUEFTUNG
ECHAPPEMENT
SCARICO
- 4 CONTROL PRESSURE
STEUERDRUCK
PRESSION DE COMMANDE
PRESSIONE DI COMANDO



General Specification: JED-334-1, Size ISO 14405 LP		Copyright WABCO®		ProVia	
Further Technical Data: PRO 011 004 0		Date	Signature	RELAY VALVE RELAISVENTIL	
Doc. Code: 035	Sheet: 1 To 10	2018-09-24	MALLARASU M.P.	VALVE RELAIS VALVOLA RELE	
General Tolerances JED-261		Checked		Expert	
Range of Nominal Dimensions (± mm)		2018-09-24		Aswinkumar	
Class	1) ≤ 50 > 50 ≤ 180 > 180 ≤ 400 > 400	K P.NAGARAJAN		Material No.	
Fine	0.5 1.0 1.5 2.0	Mass	Scale	Date of first issue: 2016-05-24	
Medium	1.0 2.0 3.0 4.0	0.62	1:1	Doc.Code Language Sheet	
Coarse	2.0 3.5 5.0 6.5	kg	CAD System	PRO 011 009 0	
Tapped Holes acc. JED-152		A 2	CREO	ECN-No.	Revision
1) Tolerance Class Applied Crossmarked		CREO		177205	1 A
				Techn. Resp.	5220_AM
				Replacement for	
				005 ML 1/1	