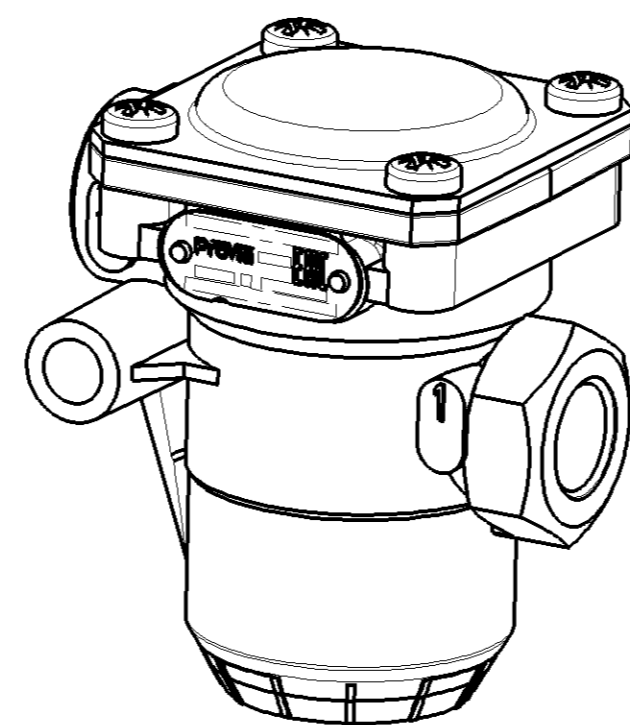
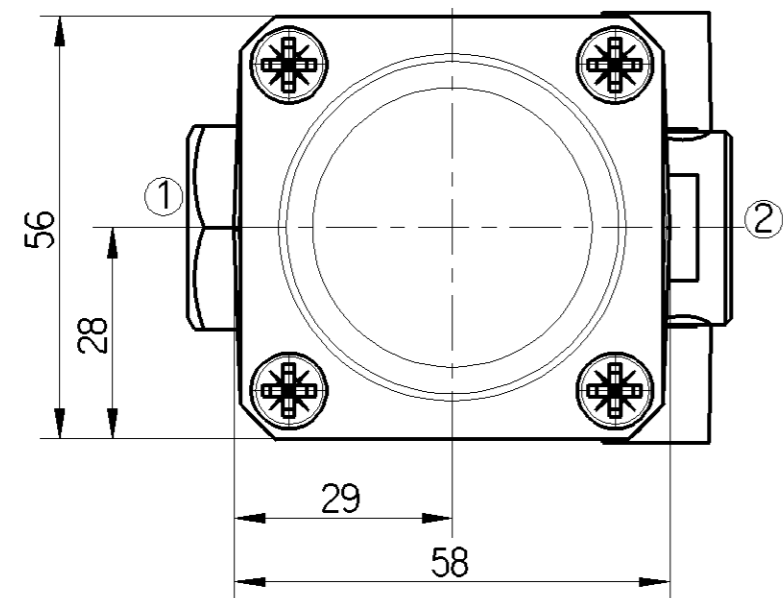
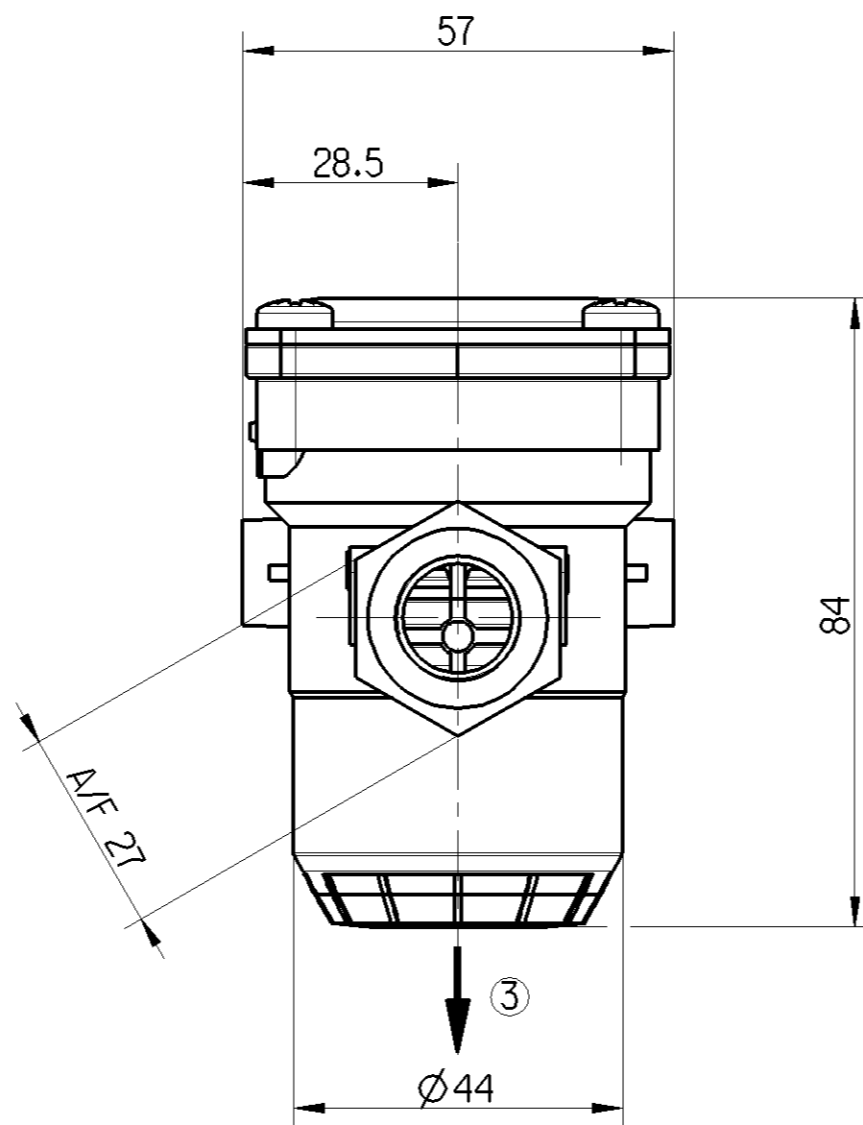
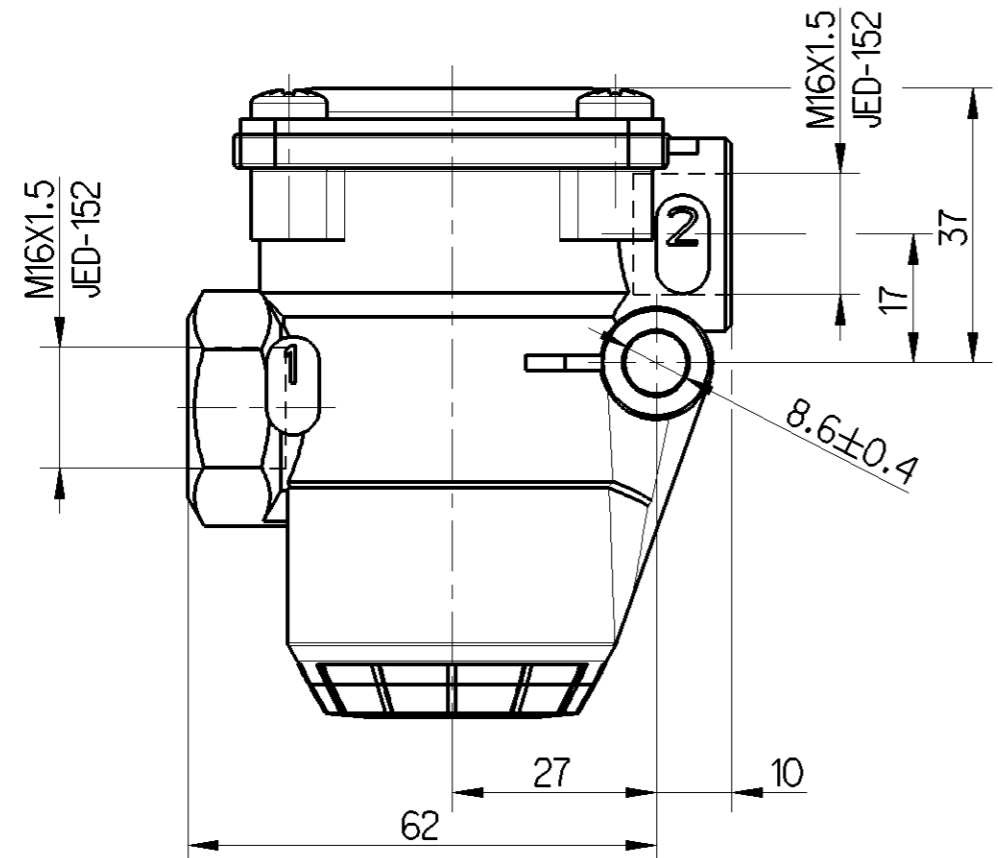


Non e permesso, concesso, o terzi o riproduzione di questo documento, ne utilizzare il contenuto o renderlo comunque noto a terzi senza autorizzazione esplicita. Ogni infrazione costituisce un evidente abuso e comportera il risarcimento dei danni subiti. E' fatta riserva di tutti i diritti derivanti da brevetti o modelli.

Copying of this document and giving it to others and the use or communication of the contents thereof, are forbidden without express authority. Contravention of this restriction will constitute an evident abuse and result in a liability to the payment of damages. All rights are reserved in the event of the grant of patent or registration of a utility model or design. This document is the subject of copyright.

Tous droits de propriété industrielle réservés, notamment en matière de brevets et de modèles.

Alle Rechte für den Fall der Patenterteilung oder Gebrauchsmuster-Eintragung vorbehalten.



THERMAL RANGE OF APPLICATION
THERMISCHER ANWENDUNGSBEREICH
GAMME D'APPLICATION THERMIQUE
CAMPO DI APPLICAZIONE TERMICA
-40°C....+80°C

TORQUE FOR CONNECTIONS
ANZUGSMOMENT FÜR EINSCHRAUBSTUTZEN
COUPLE DE SERRAGE DES RACCORDS
COPPIA DI SERRAGGIO DEI RACCORDI
38.5 Nm MAX

- ① INLET
VORRAT
ALIMENTATION
ALIMENTAZIONE (HIGH PRESSURE)
(HOCHDRUCK)
(HAUTE PRESSION)
(ALTA PRESSIONE)
- ② DELIVERY
AUGESTEURE LUFT
UTILISATION
UTILIZZAZIONE (LOW PRESSURE)
(NIEDERDRUCK)
(BASSE PRESSION)
(BASSA PRESSIONE)
- ③ EXHAUST
ENTLUEFTUNG
ECHAPPEMENT
SCARICO

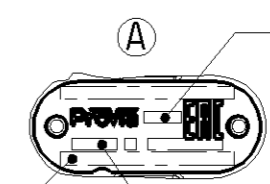
DELIVERY PRESSURE
AUGESTFUERTER
PRESSION D'UTILISATION
PRESSIONE D'UTILIZZAZIONE
P2=9.0+0.1/-0.4 bar FOR
FUER P1=10 bar
POUR PER

OPENING OF SAFETY VALVE
OEFFNUNG DES SICHERHEITSVENTILS
OUVERTURE DE LA SOUPEPE DE SECURITE
APERTURA DELLA VALYOLA DI SICUREZZA
P2+2.5 bar (MAX)

NOMINAL DIAMETER MIN.
MIN. FREIER DURCHGANG
DIAMETRE NOMINAL MIN.
DIAMETRO NOMINALE MIN.
10 mm (78.5 mm²)

MEDIUM
MEDIUM
FLUIDE
FLUIDE
AIR
LUFT
AIR
ARIA

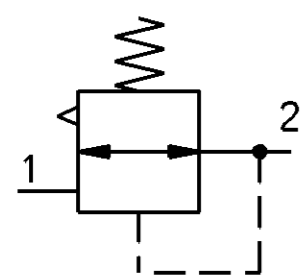
NAME PLATE DETAILS



MANUFACTURING PLANT:
PRODUKTIONSSTAETTE: JED-225
LIEU DE FABRICATION:
LUOGO DI FABRICAZIONE:

ProVia IDENTIFICATION NUMBER
ProVia TEILE NUMMER
NUMERO D'IDENTIFICATION ProVia
NUMERO D'IDENTIFICAZIONE

WEEK / YEAR OF MANUFACTURE
FERTIGUNGSWOCHE / JAHR
SEMAINE / ANNEE DE FABRICATION
SETTIMANA / ANNO DELLA FABRICAZIONE



INLET
VORRAT
ALIMENTATION
ALIMENTAZIONE

P1 MAX = 14 bar

P1 MAX = 10 bar

IF FALLS
SI SE P1 CONSTANT
UNVERÄNDERLICH
CONSTANTE
INVARIABILE

IF FALLS
SI SE P1 VARIABLE
VERÄNDERLICH
VARIABLE
VARIABLE

General Specification: JED-334-1, Size ISO 14405 LP		Copyright WABCO®		Date		Signature		ProVia	
Further Technical Data:		Doc. Code		Sheet		To		2018-09-19	
General Tolerances JED-261		2018-09-20		Checked		Aswinkumar		PRESSURE LIMITING VALVE	
Range of Nominal Dimensions (± mm)		2018-09-20		Expert		Vallarasu		DRUCKBEGRENZUNGSVENTIL	
Class	1)	≤ 50	> 50 ≤ 180	> 180 ≤ 400	> 400	K P NAGARAJAN		VALVE DE LIMITATION DE PRESSION	
Fine		0.5	1.0	1.5	2.0	Mass	Scale	Material No.	
Medium	X	1.0	2.0	3.0	4.0	0.377	1:1	PRO 015 068 0	
Coarse		2.0	3.5	5.0	6.5	Size	CAD System	Date of first issue: 2015-11-20	
Tapped Holes acc. JED-152		A 2		CREO		ECN-No.		Revision	
1) Tolerance Class Applied Crossmarked		177205		1 A		5160_AM		Techn. Resp.	
		005		ML		1/1		Replacement for	