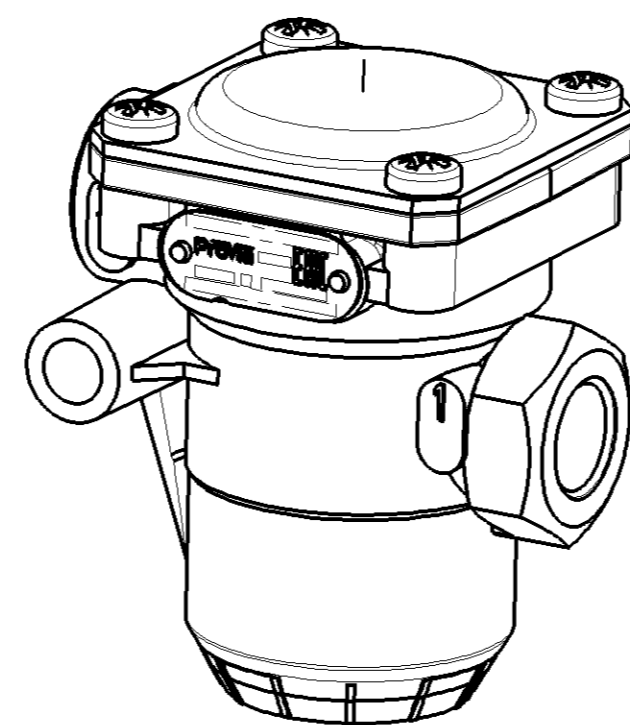
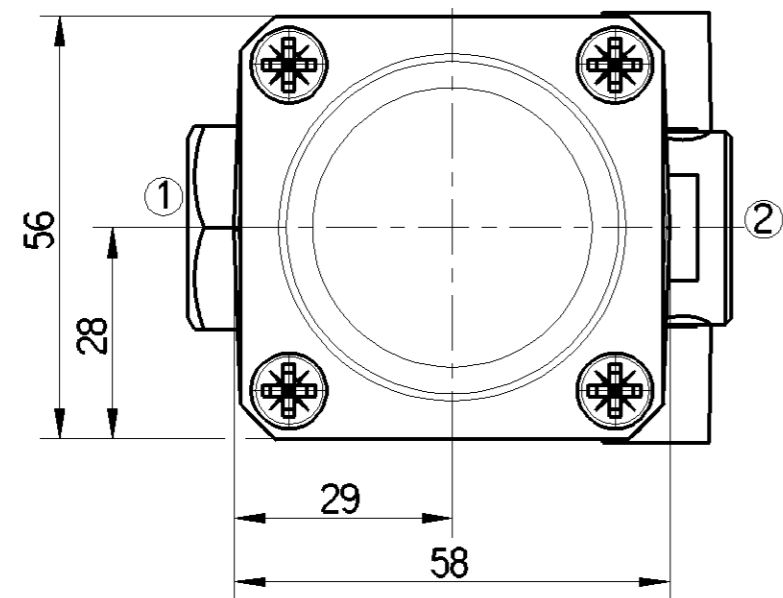
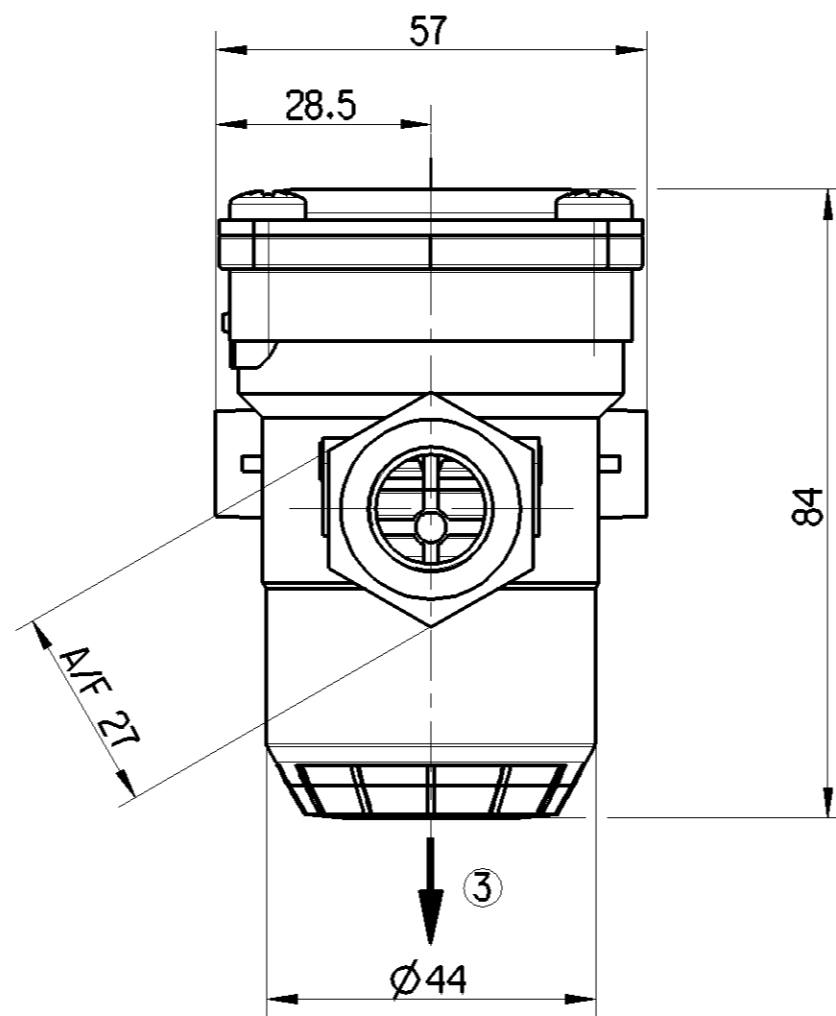
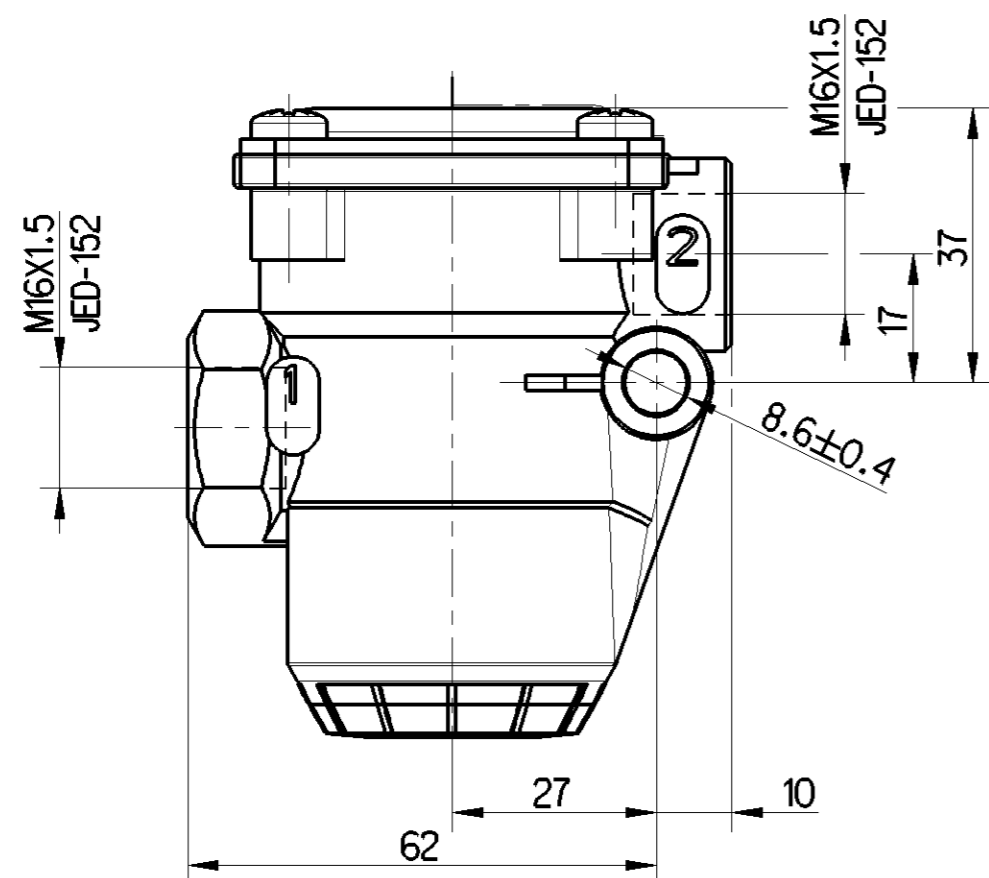


Non è permesso copiare, o terzi o riprodurre questo documento, né utilizzare il contenuto o renderlo comunque noto a terzi senza autorizzazione esplicita. Ogni infrazione costituisce un evidente abuso e comporterà il risarcimento dei danni subiti. E' fatta riserva di tutti i diritti derivanti da brevetti o modelli.

Copying of this document and giving it to others and the use or communication of the contents thereof, are forbidden without express authority. Contravention of this restriction will constitute an evident abuse and result in a liability to the payment of damages. All rights are reserved in the event of the grant of patent or registration of a utility model or design. This document is the subject of copyright.

Tout réimpression ou reproduction de ce document, toute exploitation ou communication de son contenu sont interdites, sauf autorisation expresse. Tout manquement à cette règle constitue un abus évident et expose son auteur au versement de dommages et intérêts. Tous droits de propriété industrielle réservés, notamment en matière de brevets et de modèles.

Wiederholte sowie Verbreitung dieser Unterlagen, Verleihen und Mitteilung ihres Inhalts nicht gestattet, soweit nicht ausdrücklich ansonsten, Weiterverbreitung stellen einen offensichtlichen Missbrauch dar und verpflichten zu Schadensersatz. Alle Rechte für den Fall der Patenterteilung oder Gebrauchsmuster-Eintragung vorbehalten.



THERMAL RANGE OF APPLICATION
THERMISCHER ANWENDBEREICH
GAMME D'APPLICATION THERMIQUE
CAMPO DI APPLICAZIONE TERMICA

-40°C....+80°C
MAX. TEMP. 100°C
ADMISSIBLE DURING LIMITED PERIOD OF 20h

TORQUE FOR CONNECTIONS
ANZUGSMOMENT FÜR EINSCHRAUBSTUTZEN
COUPLE DE SERRAGE DES RACCORDS
COPPIA DI SERRAGGIO DEI RACCORDI

48 Nm MAX

- ① INLET
VORRAT
ALIMENTATION
ALIMENTAZIONE (HIGH PRESSURE)
(HOCHDRUCK)
(HAUTE PRESSION)
(ALTA PRESSIONE)
- ② DELIVERY
AUGESTEURTE LUFT
UTILISATION
UTILIZZAZIONE (LOW PRESSURE)
(NIEDERDRUCK)
(BASSE PRESSION)
(BASSA PRESSIONE)
- ③ EXHAUST
ENTLUEFTUNG
ECHAPPEMENT
SCARICO

DELIVERY PRESSURE
AUGESTFUERTER
PRESSION D'UTILISATION
PRESSIONE D'UTILIZZAZIONE P2=7.5+0.4/0 bar FOR
FUER P1=10 bar
POUR PER

OPENING OF SAFETY VALVE
OEFFNUNG DES SICHERHEITSVENTILS
OUVERTURE DE LA SOUPAPE DE SECURITE P2+2.5 bar (MAX)
APERTURA DELLA VALVOLA DI SICUREZZA

NOMINAL DIAMETER MIN.
MIN. FREIER DURCHGANG
DIAMETRE NOMINAL MIN.
DIAMETRO NOMINALE MIN. 10 mm (78.5 mm²)

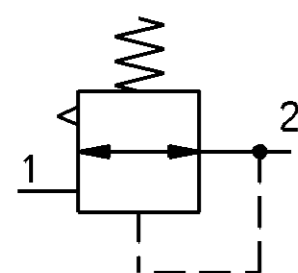
MEDIUM
MEDIUM
FLUIDE
FLUIDE AIR
LUFT
AIR
ARIA

- ④ INSTALLATION REQUIREMENTS
EINBAUBESCHRANKUNGEN : MAX ±45°
RESTRICTIONS D'INSTALLATION
LIMITAZIONI DI MONTAGGIO

NAME PLATE DETAILS
MANUFACTURING PLANT:
PRODUKTIONSSTAETTE: JED-225
LIEU DE FABRICATION:
LUOGO DI FABRICAZIONE:



ProVia IDENTIFICATION NUMBER
ProVia TEILE NUMBER
NUMERO D'IDENTIFICATION ProVia
NUMERO D'IDENTIFICAZIONE
WEEK / YEAR OF MANUFACTURE
FERTIGUNGSWOCHE / JAHR
SEMAINE / ANNEE DE FABRICATION
SETTIMANA / ANNO DELLA FABRICAZIONE



INLET
VORRAT
ALIMENTATION
ALIMENTAZIONE

P1 MAX = 15 bar

P1 MAX = 12.5 bar

IF FALLS
SI SE P1 CONSTANT
UNVERÄNDERLICH
CONSTANTE
INVARIABILE
IF FALLS
SI SE P1 VARIABLE
VERÄNDERLICH
VARIABLE
VARIABLE

General Specification: JED-334-1, Size ISO 14405 LP		Copyright WABCO®		ProVia	
Further Technical Data: PRO0150720		Date	Signature	Date of first issue: 2015-11-20	
Doc. Code: 035	Sheet: 1 To 5	2018-09-24	Aswinkumar	Doc. Code Language Sheet	
General Tolerances JED-261		2018-09-24	Vallarasu	005 ML 1/1	
Range of Nominal Dimensions (± mm)		Expert K P NAGARAJAN		Material No.	
Class 1)	≤ 50 > 50 > 180 > 400 > 400	Mass	Scale	Date of first issue: 2015-11-20	
Fine	0.5 1.0 1.5 2.0	0.379	1:1	ECN-No. Revision Techn. Resp.	
Medium	1.0 2.0 3.0 4.0	kg		177205 1 A 5160_AM	
Coarse	2.0 3.5 5.0 6.5	Size	CAD System	Replacement for	
Tapped Holes acc. JED-152		A 2	CREO	-	
1) Tolerance Class Applied Crossmarked		PRO 015 073 0			