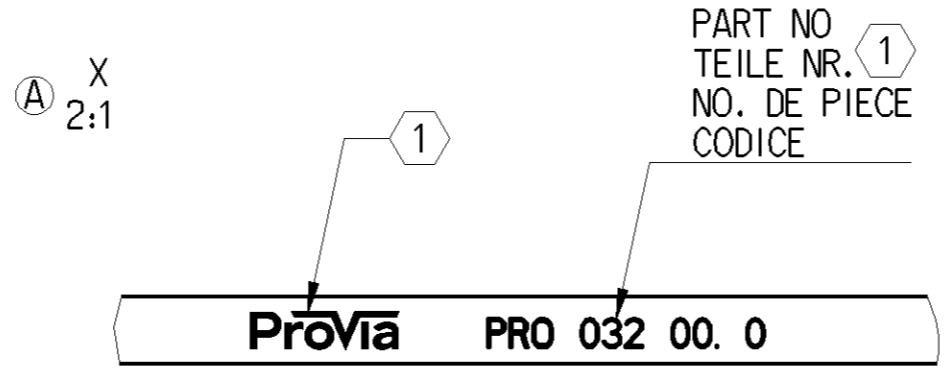
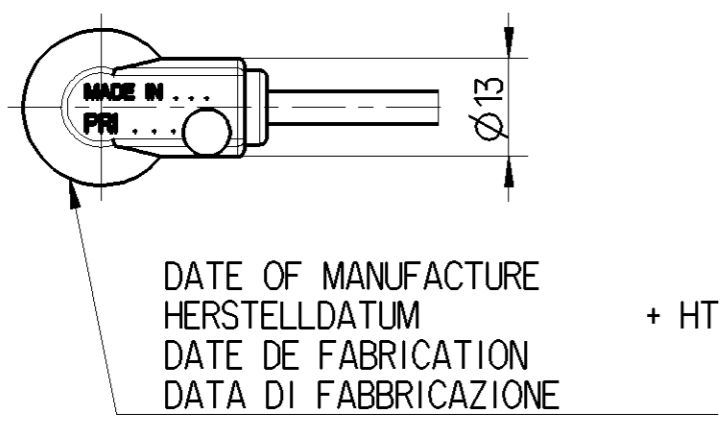


MADE IN CHINA



| PROVIA -NO.   | L (mm) | MASS (kg) |
|---------------|--------|-----------|
| PRO 032 000 0 | 400    | 0.052     |
| PRO 032 001 0 | 1000   | 0.067     |

- TWO CORE CABLE  
LEITUNG ZWEIADRIG  
CABLE A DEUX CONDUCTEURS  
CAVO A DUE CONDUTTORI } THERMORAD  
2x 0.5mm<sup>2</sup>  
ASC 77799 (A)
- STRAIN RELIEF CABLE  
ZUGENTLASTUNG KABEL  
ARRET DE CABLE  
SCARICO DI TRAZIONE DEL CAVO } MAX.50N ↯ -20°C
- BEND RADIUS CABLE  
BIEGERADIUS KABEL  
RAYON DE COURBURE DE CABLE  
RAGGIO DI CURVATURA DEL CAVO } R 15 MIN. ∠ 90°
- (1) ABRASION RESISTANT PRINT  
ABRIEBFESTER AUFDRUCK  
IMPRESSION RESISTANTE A L' ABRASION  
IMPRONTA RESISTENTE ALL' ABRASIONE } RAL 9001

- I -40 °C...+200 °C [1000h]  
+210 °C [1h]
  - II -40 °C...+150 °C  
+180 °C [1h]
  - III -40 °C...+180 °C  
+220 °C [1h]
  - IV -40 °C...+80 °C
- THERMAL RANGE OF APPLICATION  
THERMISCHER ANWENDBEREICH  
GAMME D'APPLICATION THERMIQUE  
CAMPO TERMICO D'APPLICAZIONE

FURTHER TECHNICAL DATA SEE PRODUCT SPECIFICATION  
WEITERE TECHNISCHE DATEN SIEHE PRODUKT SPEZIFIKATION  
AUTRES DONNEES TECHNIQUES VOIR PRODUIT SPECIFICATION  
ULTERIORI DATI TECNICI VEDERE SPECIFICA DI PRODOTTO } PRO 032 001 0 (DOC. 035)

INSTRUCTIONS OF INSTALLATION SEE ADAPTATION SPECIFICATION  
EINBAUINWEISE SIEHE ADAPTION-SPEZIFIKATION  
INSTRUCTIONS D'INSTALLATION VOIR SPECIFICATION D'ADAPTION  
ISIRUZIONI D'INSTALLAZIONE VEDERE SPECIFICA D'ADATTAMENTO } 341 032 000 0

DEGREE OF PROTECTION (IN CONNECTION WITH PLUG)  
SCHUTZART (IN VERBINDUNG MIT KUPPLUNGSSTECER)  
DEGRE DE PROTECTION (DANS CONNECTION AVEC CONNECTEUR MALE)  
GRADO DI PROTEZIONE (IN COLLAGAMENTO CON SPINOTTO) } IP 68, IP 6K9K (A) (ISO 20653)

|   |                                   |                  |                   |  |  |
|---|-----------------------------------|------------------|-------------------|--|--|
| General Specification: JED-334-1, Size ISO 14405 LP |                                   | Copyright WABCO® |                   | <b>ProVia</b>  |  |
| Further Technical Data: PRO 032 001 0               |                                   | Date             | Signature         | INDUCTIVE SENSOR WITH SOCKET<br>STABSSENSOR MIT KUPPLUNGSDOSE<br>CAPTEUR AVEC CONNECTEUR FEMELLE<br>SENSORE INDUTTIVO CON CONNETTORE |  |
| Doc. Code: 035                                      | Sheet: 1 To 4                     | 2016-06-09       | Richard Alexander | Date of first issue: 2016-05-13  |  |
| General Tolerances JED-261                          |                                   | Checked          |                   | Doc. Code Language Sheet   |  |
| Range of Nominal Dimensions ( ± mm)                 |                                   | 2016-06-15       |                   | 6310_AM  |  |
| Class 1)  | ≤ 50 > 50 ≤ 180 > 180 ≤ 400 > 400 | Expert           |                   | Replacement for  |  |
| Fine  | 0.5 1.0 1.5 2.0                   | K P NAGARAJAN    |                   | -  |  |
| Medium  | 1.0 2.0 3.0 4.0                   | Mass             | Scale             | ECN-No. Revision Techn. Resp.  |  |
| Coarse  | 2.0 3.5 5.0 6.5                   | 2 KG             | 1:1 (2:1)         | 17116 6 A 6310_AM  |  |
| Tapped Holes acc.                                   |                                   | Size             | CAD System        | -  |  |
| 1) Tolerance Class Applied Crossmarked              |                                   | A 2              | CREO              | -  |  |

Non e' permesso copiare, o terzi o riprodurre questo documento, ne utilizzare il contenuto o renderlo comunque noto a terzi senza autorizzazione esplicita. Ogni infrazione costituisce un evidente abuso e comportera il risarcimento dei danni subiti. E' fatta riserva di tutti i diritti derivanti da brevetti o modelli.

Copying of this document and giving it to others and the use or communication of the contents thereof, are forbidden without express authority. Contravention of this restriction will constitute an evident abuse and result in a liability to the payment of damages. All rights are reserved in the event of the grant of patent or registration of a utility model or design. This document is the subject of copyright.

Tous droits de propriete industrielle reserves, notamment en matiere de brevets et de modeles.

Wiedergabe sowie Vervielfältigung dieser Unterlagen, Verleihen und Weitergeben ist ohne schriftliche Genehmigung der WABCO AG nicht ausdrücklich gestattet. Zuwiderhandlungen stellen einen offensichtlichen Missbrauch dar und verpflichten zu Schadensersatz. Alle Rechte hier den Fall der Patenterteilung oder Gebrauchsmuster-Eintragung vorbehalten.

A B

A B

C

D

E

F

G

H