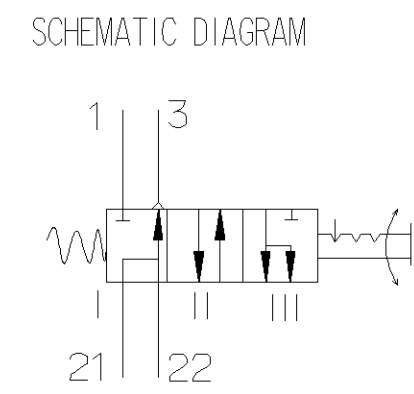
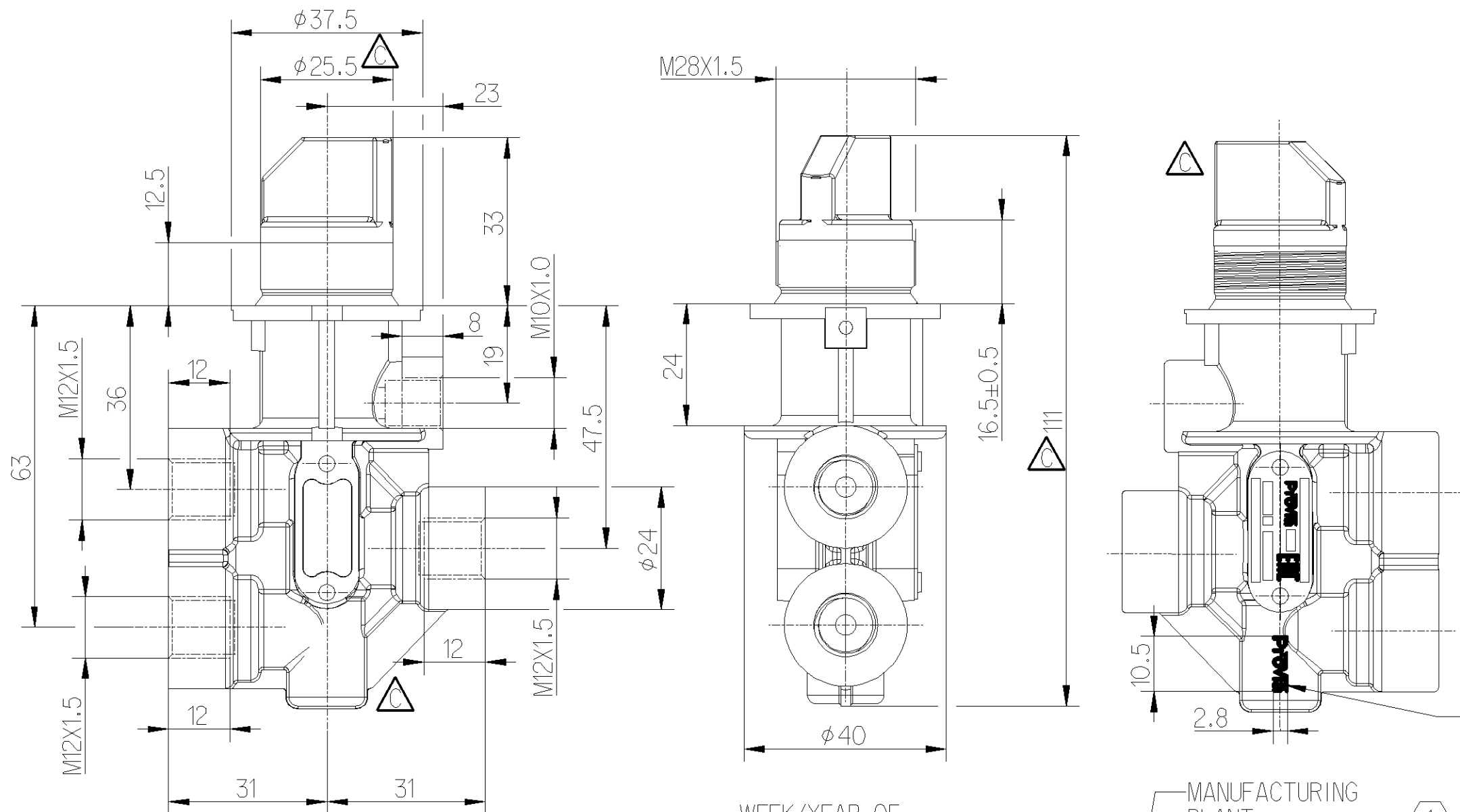


<1>	SAFETY CHARACTERISTICS	0
<2>	SIGNIFICANT CHARACTERISTICS	0
<CI>	CUSTOMER INTERFACE	0

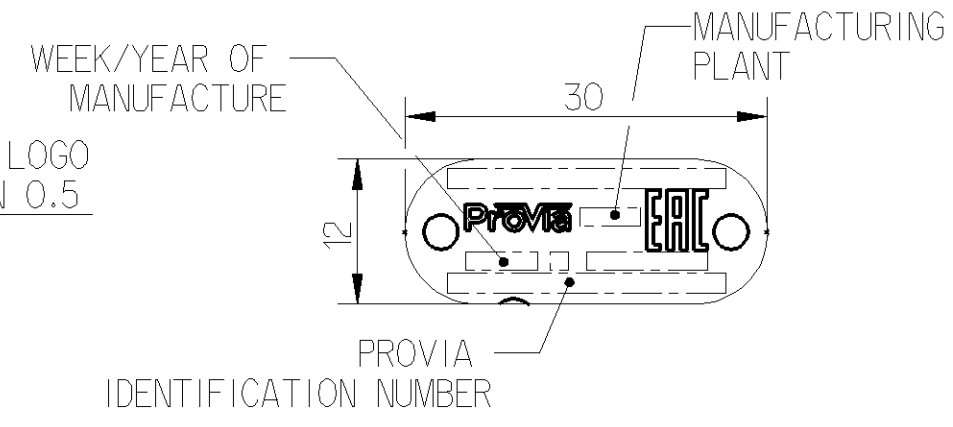
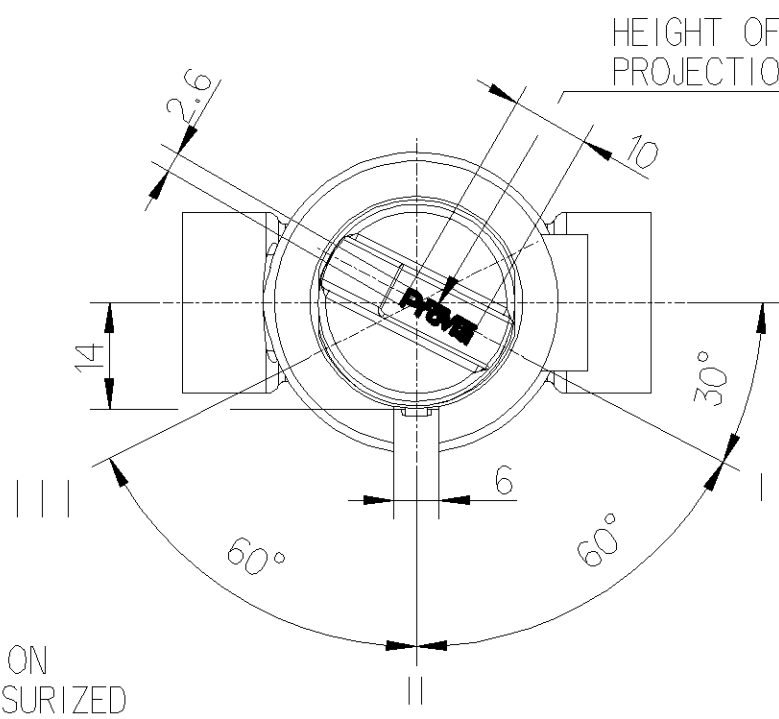


1 - SUPPLY
 21 - DELIVERY
 22 - DELIVERY
 3 - EXHAUST

HEIGHT OF LOGO PROJECTION 0.5

TECHNICAL SPECIFICATION :

- ① MEDIUM: AIR
- ② WORKING PRESSURE MAX: 11 BAR
- ③ NOMINAL APERTURE ≥ 4mm
- ④ WORKING TEMPERATURE: -25° ~ +80° C
- ⑤ OTHERS: ACCORDING TO QC/T37



HEIGHT OF LOGO PROJECTION 0.5

I - CLOSED POSITION
 II - PORT 21 PRESSURIZED
 III - PORT 21 AND 22 PRESSURIZED

General Specification: ISO 8015, JED-334-1, Size ISO 14405 LP					
Further Technical Data: Product Specification					
Doc. Code: O35		Sheet: 1 To 4			
General Tolerances JED-261					
		Range of Nominal Dimensions (± mm)			
Class	1)	≤ 50	> 50 ≤ 180	> 180 ≤ 400	> 400
Fine		±0.5	±1	±1.5	±2
Medium	X	±1	±2	±3	±4
Coarse		±2	±3.5	±5	±6.5
Tapped Holes acc. JED-152					
1) Tolerance Class Applied Crossmarked					

Copyright ZF®	
Date	Signature
2023-04-12	Pawlowski
Checked	
2023-04-18	Pakula
Dimensions in mm	
Mass	Scale
0.3 kg	NTS
Size	CAD System
A 3	CREO

ProVia		DIRECTIONAL CONTROL VALVE		
PRO 037 001 0		Doc.Code	Language	Sheet
		005	EN	1/1
ECN-No.	Revision	Techn. Resp.	Replacement for	
513902	4 x C	5810_AM		

Non e permesso consegnare a terzi o riprodurre questo documento, ne utilizzare il contenuto o renderlo comunque noto a terzi senza autorizzazione esplicita. Ogni infrazione costituirà un evidente abuso e comporterà il risarcimento dei danni subiti. E' fatta riserva di tutti i diritti derivanti da brevetti o modelli.
 Toute communication ou reproduction de ce document, toute exploitation ou communication de son contenu sont interdites, sauf autorisation expresse. Toute manquement a cette regle constitue un abus evident et expose son auteur au versement de dommages et interets. Tous droits de propriete industrielle reserves, notamment en matiere de brevets et de modesles.
 Weitergabe sowie Vervielfaeligung dieser Unterlage, Verwertung und Mitteilung ihres Inhalts nicht gestattet, soweit nicht ausdrucklich zugestanden. Zuwiderhandlungen stellen einen offensichtlichen Missbrauch dar und verpflichten zu Schadenersatz. Alle Rechte fuer den Fall der Patenterteilung oder Gebrauchsmuster-Eintragung vorbehalten.

100mm