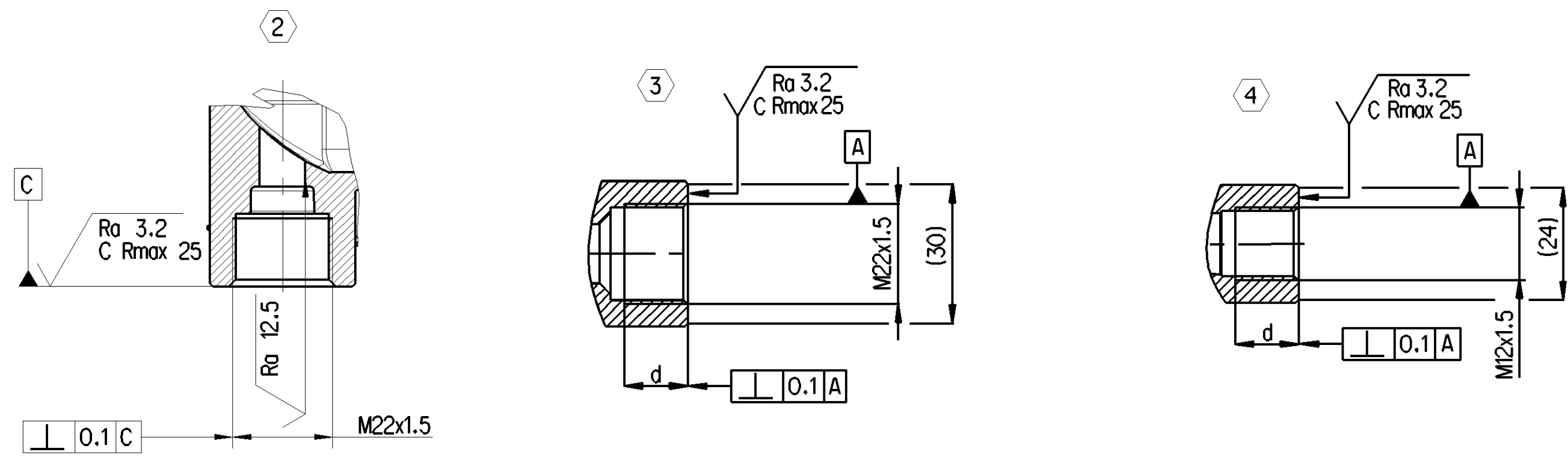
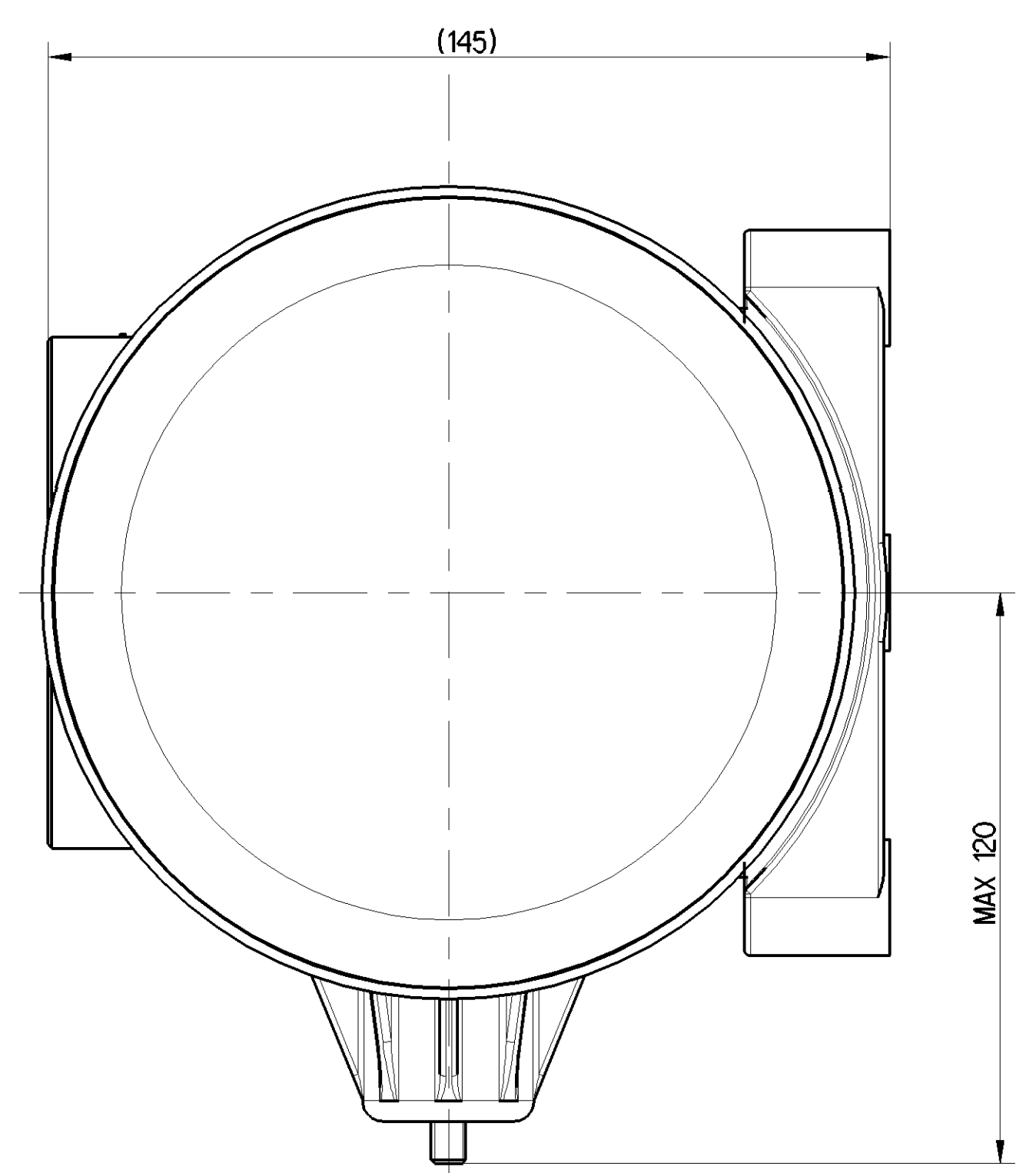
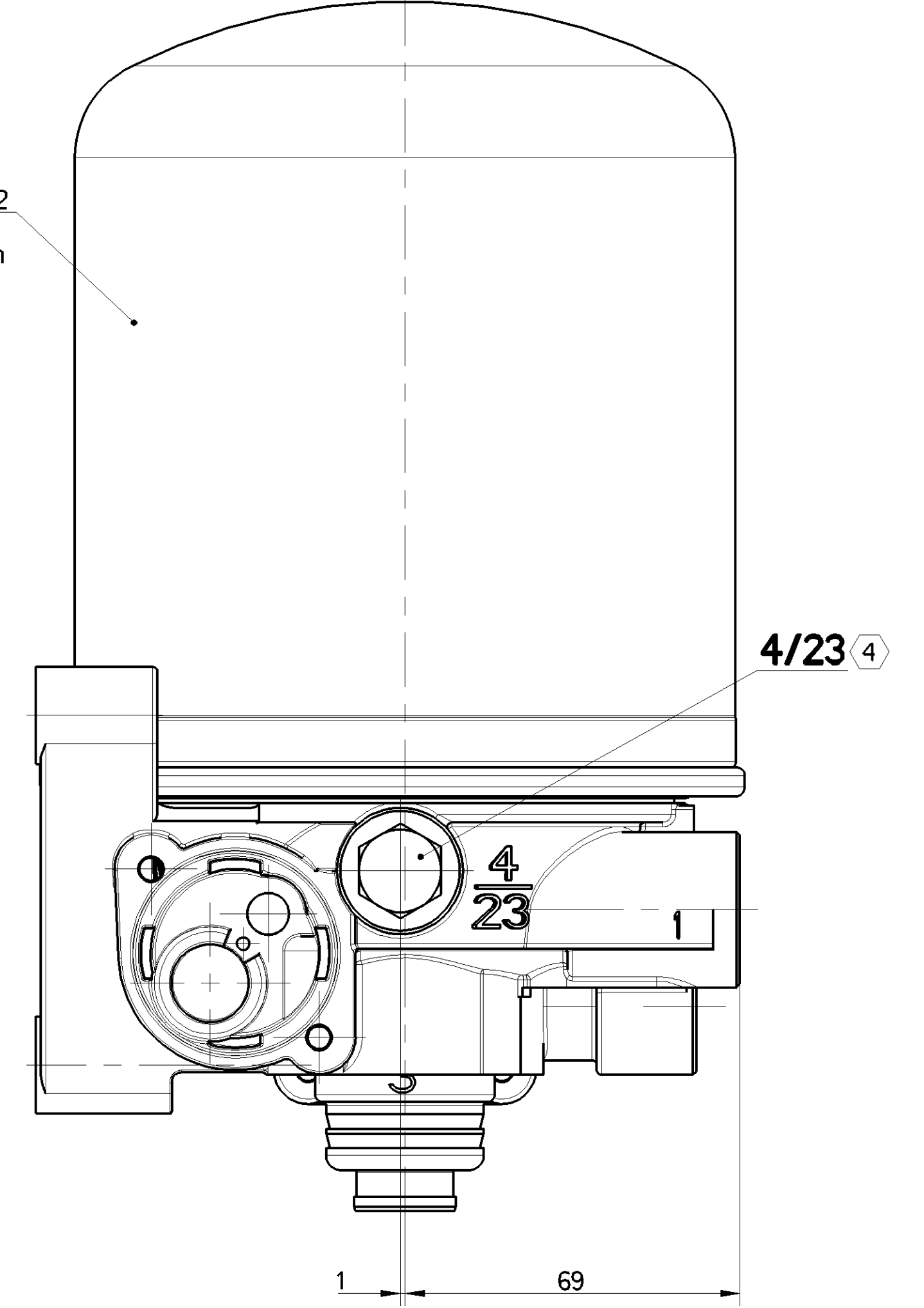
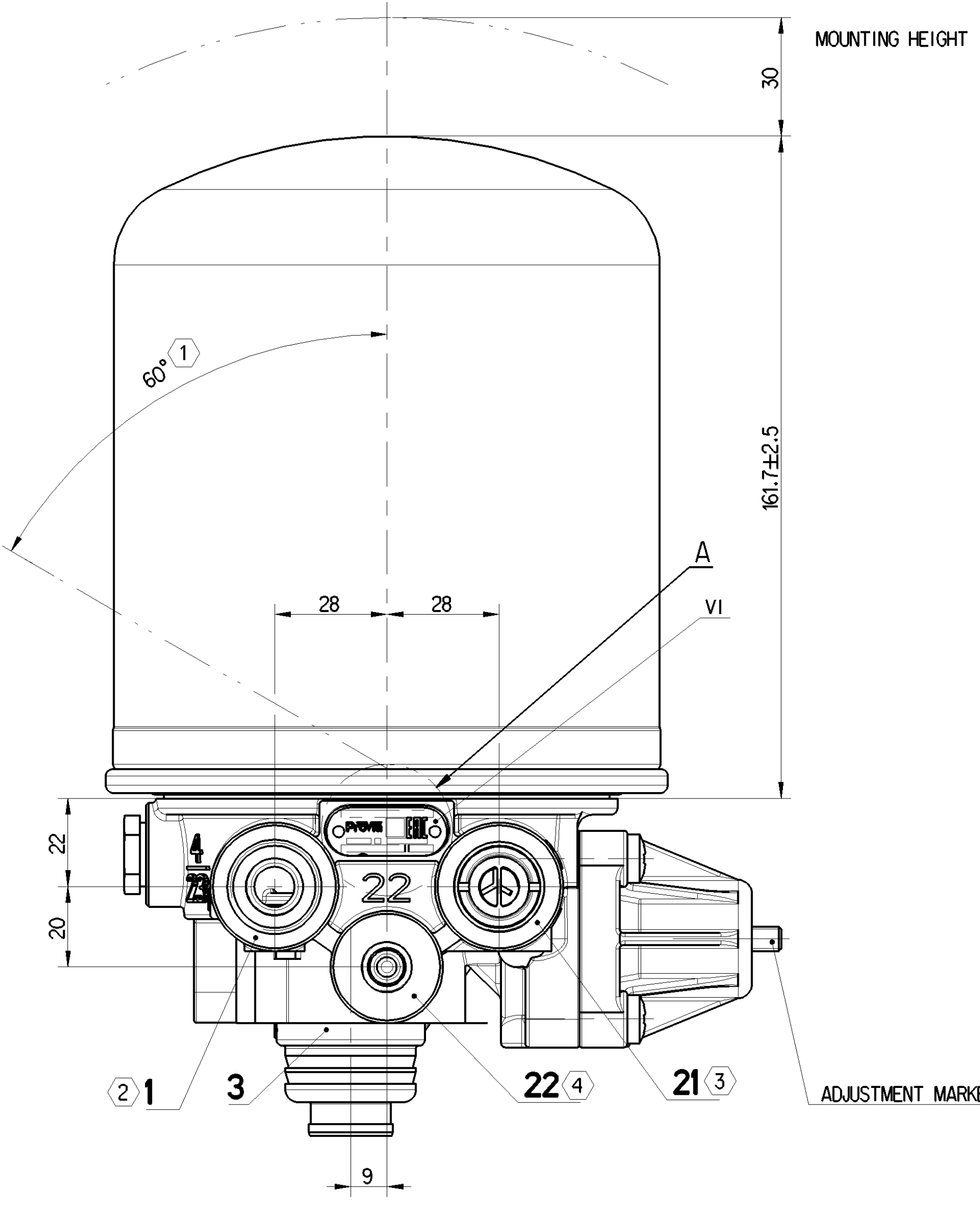
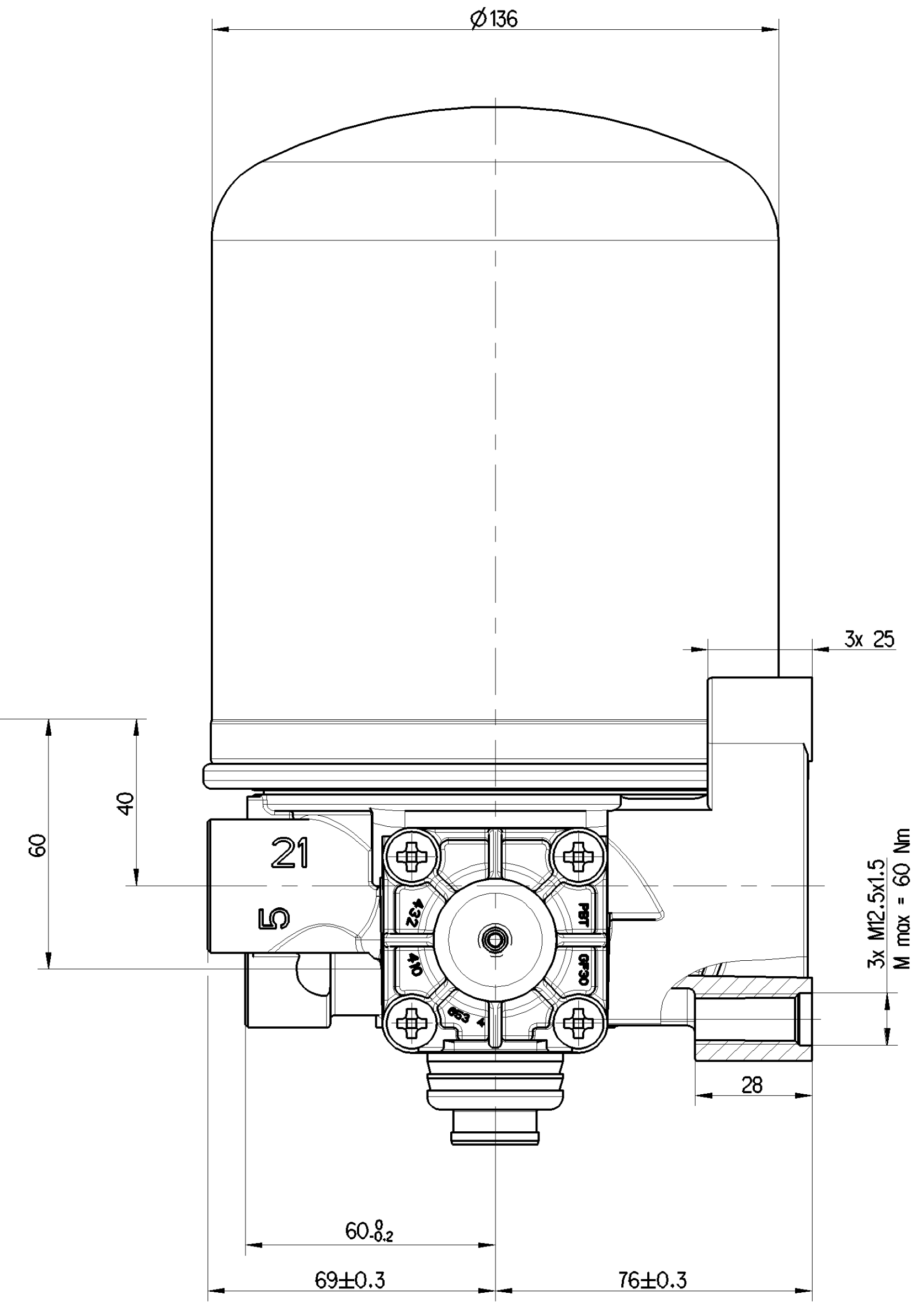
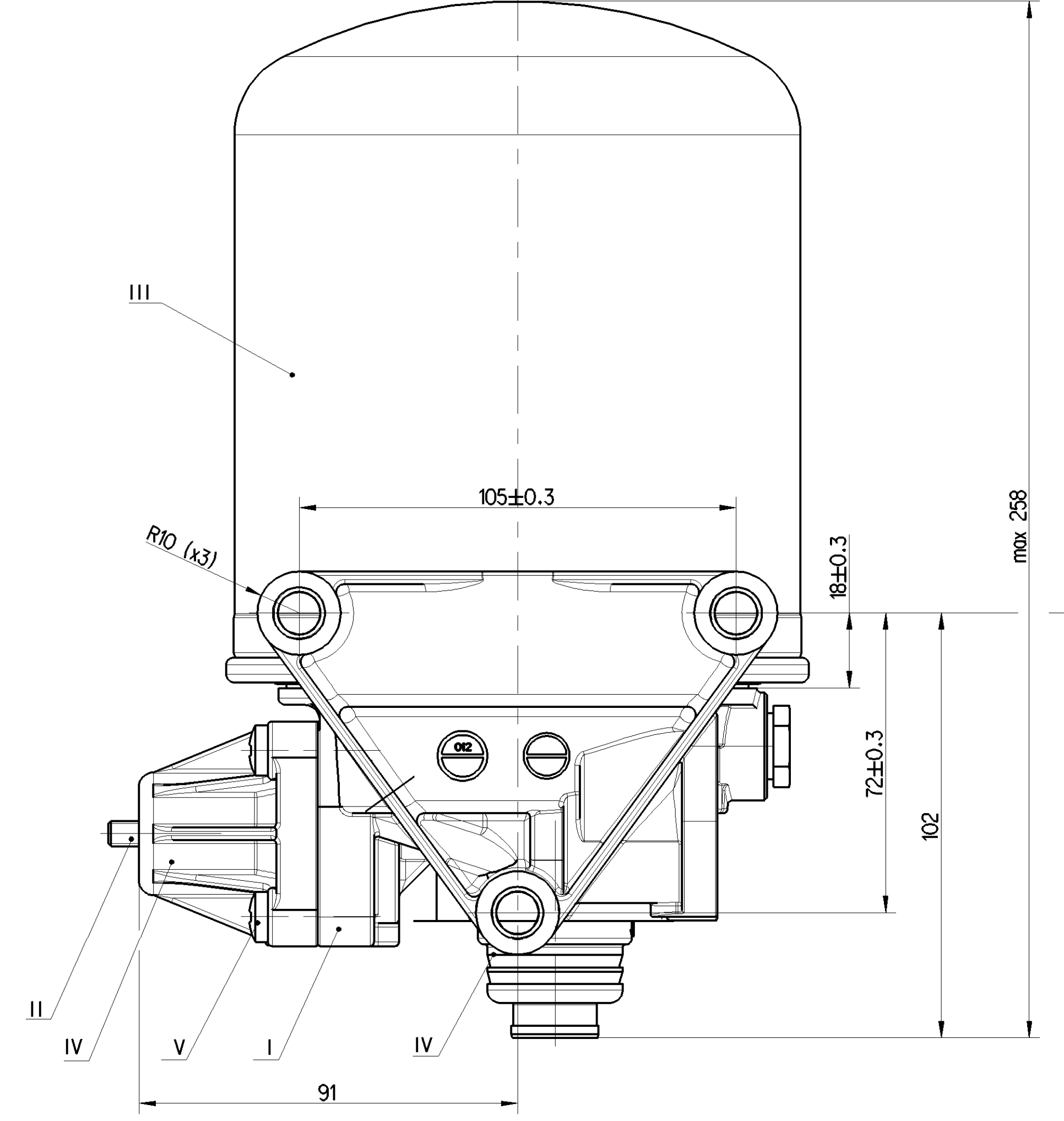


EXTERNAL SURFACE	
I	JED-259-3
II	JED-256-3
III	JED-471-0
IV	PLASTIC
V	JED-256-1
VI	JED-007-1



PORT	FUNCTION	THREAD
1	FROM THE COMPRESSOR	M22x1.5 d=15
21	TO THE RESERVOIRS	M22x1.5 d=24.5
22	TO RESERVOIR FOR REGENERATION AIR	M12x1.5 d=12
3	EXHAUST FOR COMPRESSED AIR	-
4/23	TO THE COMPRESSOR (PLUGGED)	M12x1.5 d=12

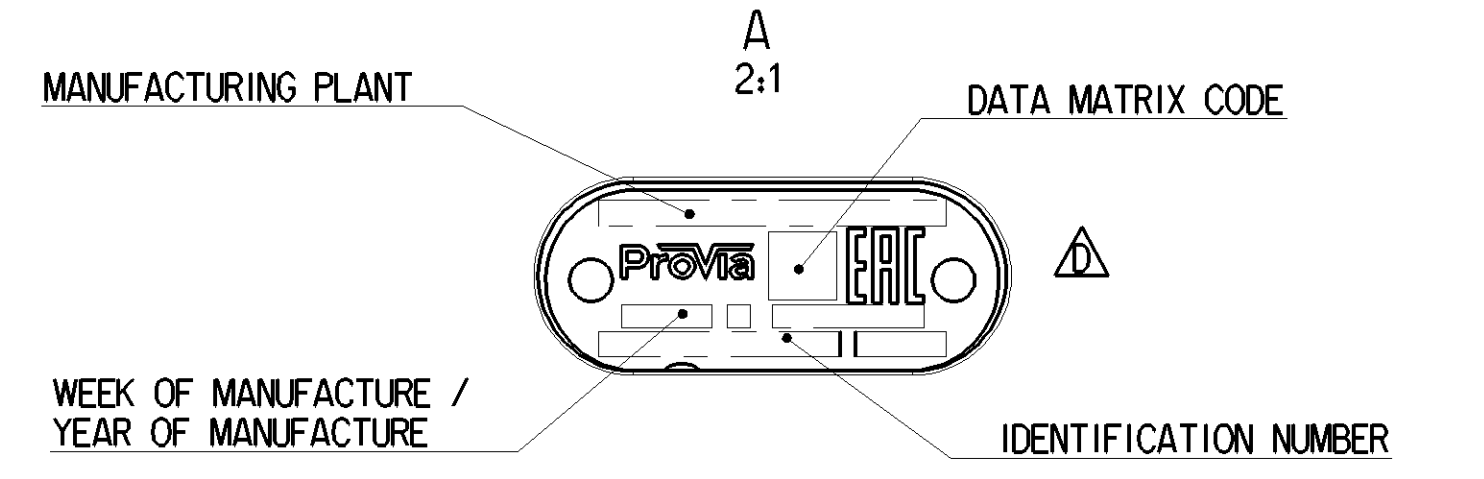
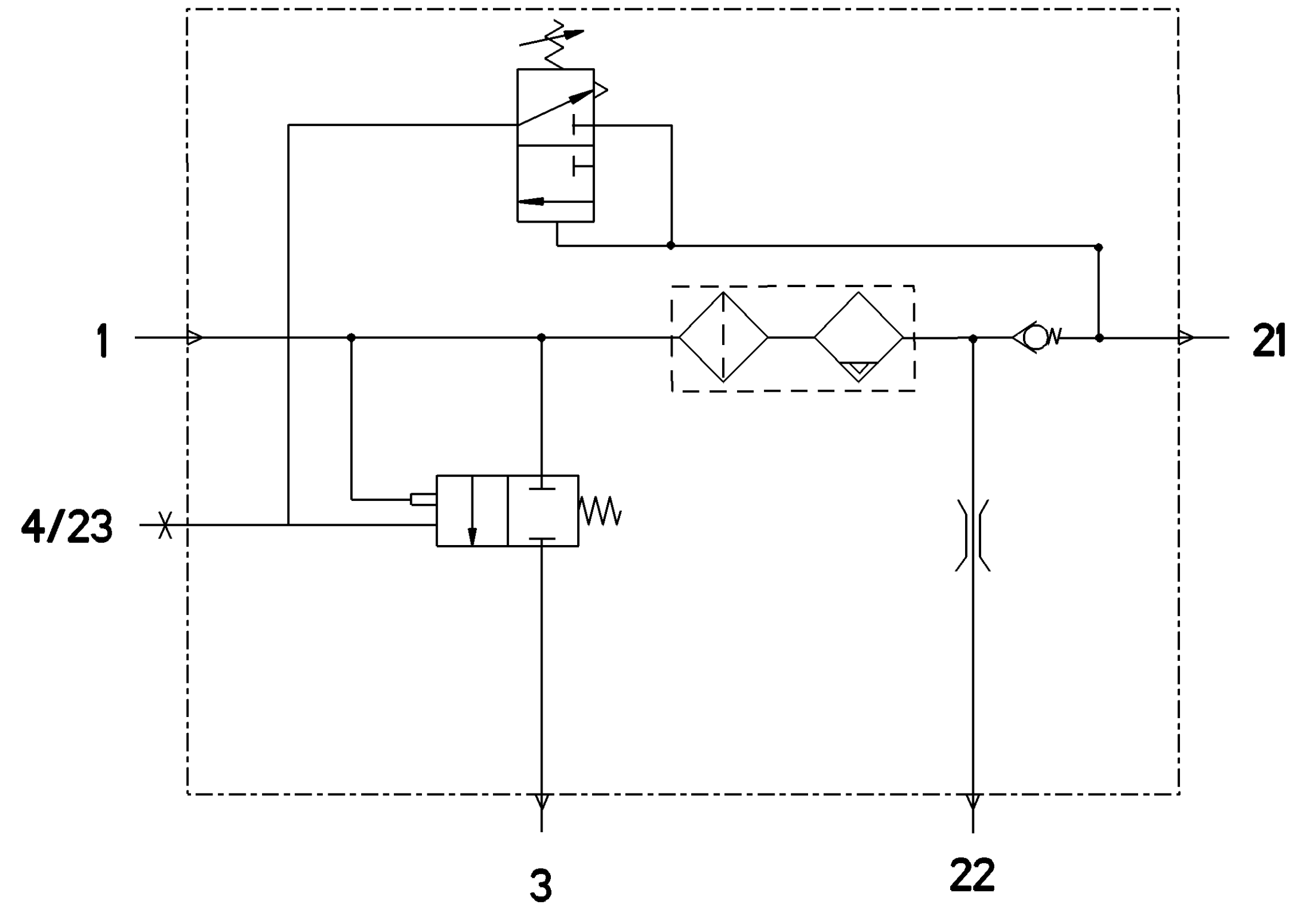
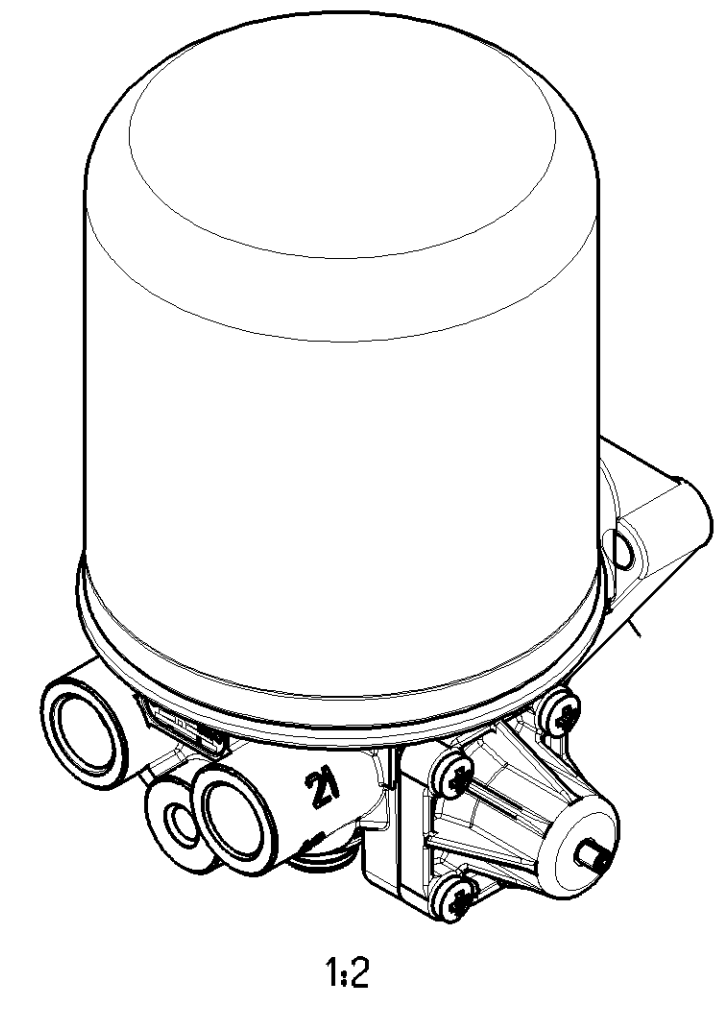
TECHNICAL DATA

MEDIUM:	COMPRESSED AIR
WORKING PRESSURE:	Pe MAX = 13 bar
MAX. PERMISSIBLE FREQUENCY:	50 Hz
MAX. PERMISSIBLE ACCELERATION:	10 xg

COMBINED UNLOADER

OUT OUT PRESSURE:	9.0±0.3 bar
OPERATING RANGE:	1.3±0.4 bar
DYNAMIC PRESSURE OF SAFETY VALVE:	15 ⁺⁶ ₀ bar (BY Vn = 100 dm ³ /min)
TORQUES FOR CONNECTIONS:	M2x1.5: Mmax = 21 Nm M22x1.5: Mmax = 53 Nm

① INSTALLATION POSITION AS DRAWN



General Specification: ISO 8768, JED-004-1, Size (S) 14405 LP		Copyright: 2022-07-05		Prövia	
Further Technical Data: PRO 122 006 0		Date: 2022-07-05		AIR DRYER	
Doc. Code: 035		Sheet: 1 to 4		2022-07-05	
General Tolerances: ISO 2011		2022-07-05		2022-07-05	
Range of Nominal Dimensions (d in mm)		2022-07-05		2022-07-05	
Class	11	12	13	14	15
Fine	±0.05	±0.10	±0.15	±0.2	±0.3
Medium	±0.1	±0.2	±0.3	±0.4	±0.5
Course	±0.2	±0.3	±0.4	±0.5	±0.6
Tapped holes acc.:		A 0		PRO 122 006 0	
Tapped holes acc.:		A 0		PRO 122 006 0	
Tapped holes acc.:		A 0		PRO 122 006 0	