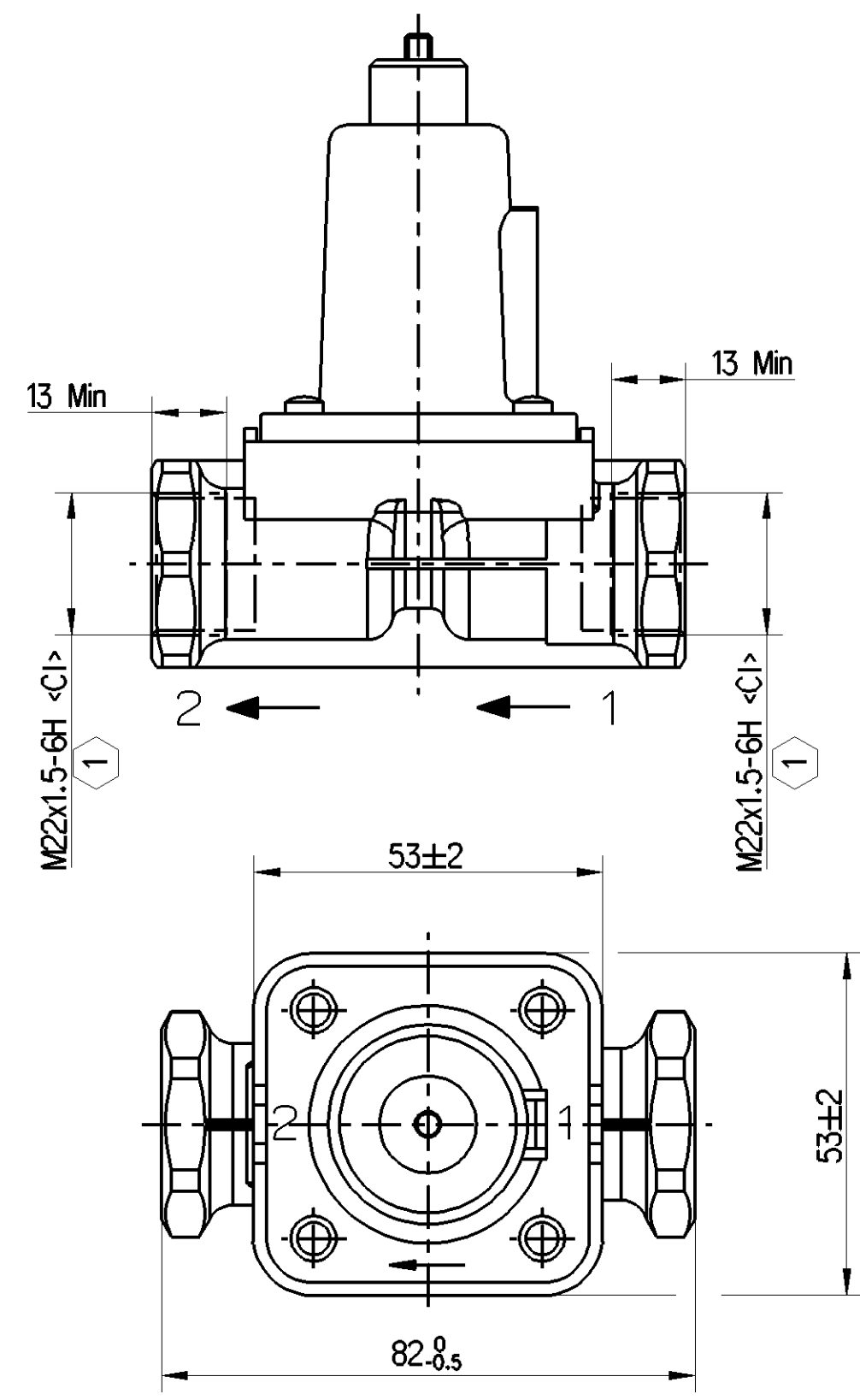
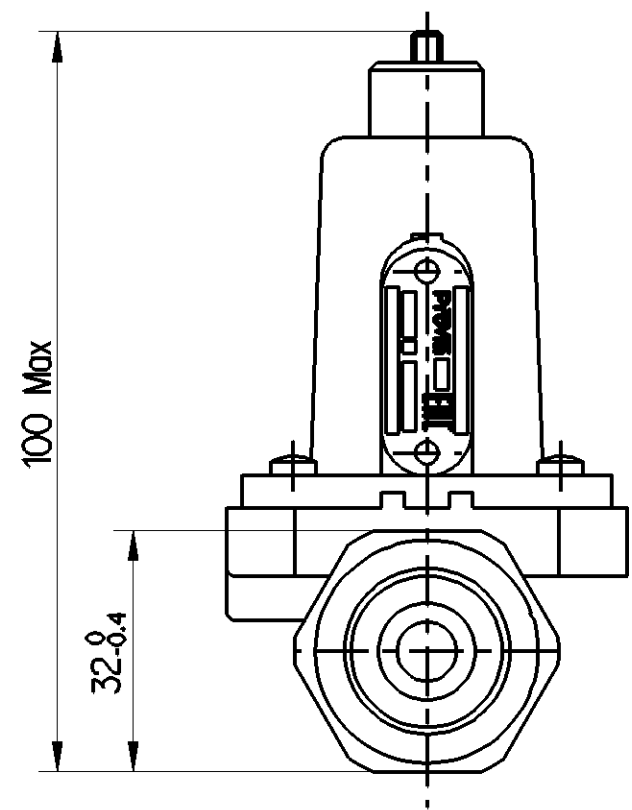
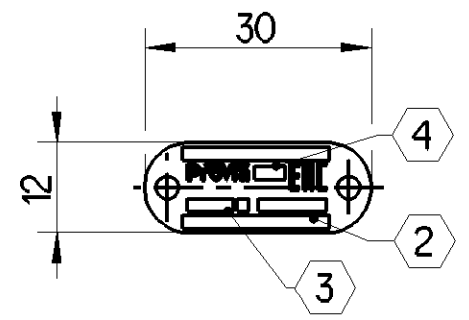


<1> SAFETY CHARACTERISTICS	0
<2> SIGNIFICANT CHARACTERISTICS	0
<CI> CUSTOMER INTERFACE	2

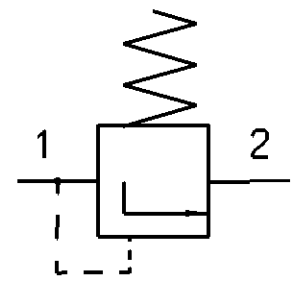


MEDIUM: AIR
 WORKING PRESSURE: MAX. $p_e = 13$ bar
 CHARGING PRESSURE: $5.5_{-0.3}^0$ bar
 WORKING TEMPERATURE: $-40^{\circ}\text{C} \dots +80^{\circ}\text{C}$
 1 TORQUE: 53Nm Max

Non è permesso consegnare o terzi o riprodurre questo documento, né utilizzare il contenuto o renderlo comunque noto a terzi senza autorizzazione esplicita. Ogni infrazione costituirà un evidente abuso e comporterà il risarcimento dei danni subiti. È fatta riserva di tutti i diritti derivanti da brevetti o modelli.
 Toute communication ou reproduction de ce document, toute exploitation ou communication de son contenu sont interdites, sauf autorisation expresse. Tout manquement à cette règle constitue un abus évident et expose son auteur ou versement de dommages et intérêts. Tous droits de propriété intellectuelle réservés, notamment en matière de brevets et de modèles.
 Weitergabe sowie Vervielfältigung dieser Unterlagen, Verwertung und Mitteilung ihres Inhalts nicht gestattet, soweit nicht ausdrücklich zugelassen. Zuwiderhandlungen stellen einen offensichtlichen Missbrauch dar und verpflichten zu Schadenersatz. Alle Rechte vorbehalten.
 All rights reserved in the event of the grant of patent or registration or a utility model or design. This document is the subject of copyright.



- 2 PROVIA IDENTIFICATION NUMBER
- 3 WEEK/YEAR OF MANUFACTURE
- 4 MANUFACTURING PLANT



SCHEMATIC DIAGRAM

General Specification: ISO 8015, JED-334-1, Size ISO 14405 LP		Copyright WABCO®		ProVia	
Further Technical Data: PRO 122 024 0		Date	Signature		
Doc. Code: 035 Sheet: 1 To 7		2023-08-21	Kaviya	CHARGING VALVE	
General Tolerances JED-261		Checked			
Range of Nominal Dimensions (± mm)		2023-09-06	Subbiah	Date of first issue: 2023-01-25	
Class	1) ≤ 50 > 50 ≤ 180 > 180 ≤ 400 > 400	Dimensions in mm			
Fine	±0.5 ±1 ±1.5 ±2	Mass	Scale	Material No.	
Medium	X ±1 ±2 ±3 ±4	0.22 kg	1:1	PRO 122 024 0	
Coarse	±2 ±3.5 ±5 ±6.5	Size	CAD System	005 EN 1/1	
Tapped Holes acc. JED-152		A 2	CREO	ECN-No. Revision Techn. Resp. Replacement for	
1) Tolerance Class Applied Crossmarked		515047 3x A 5120_AM		-	

100mm