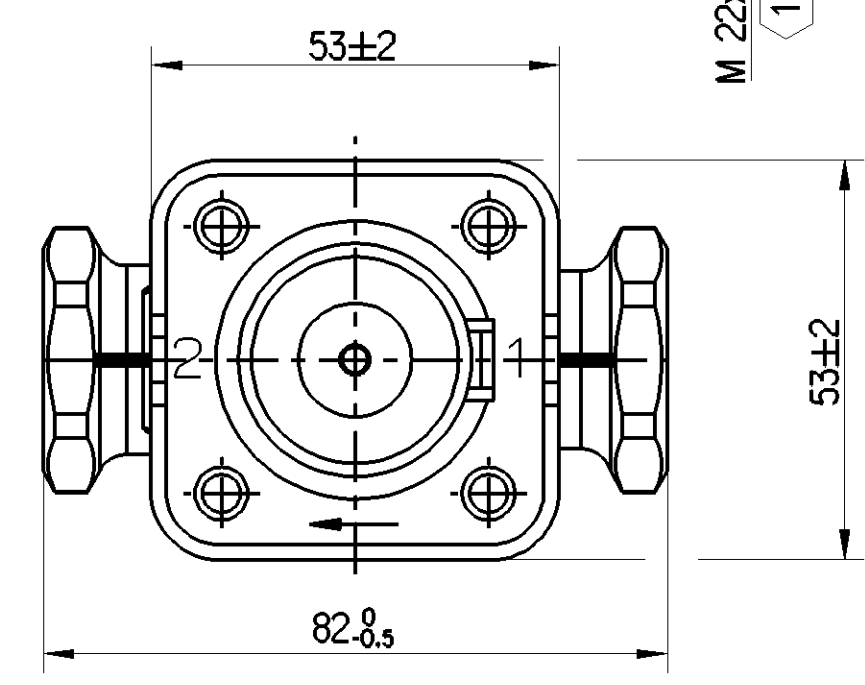
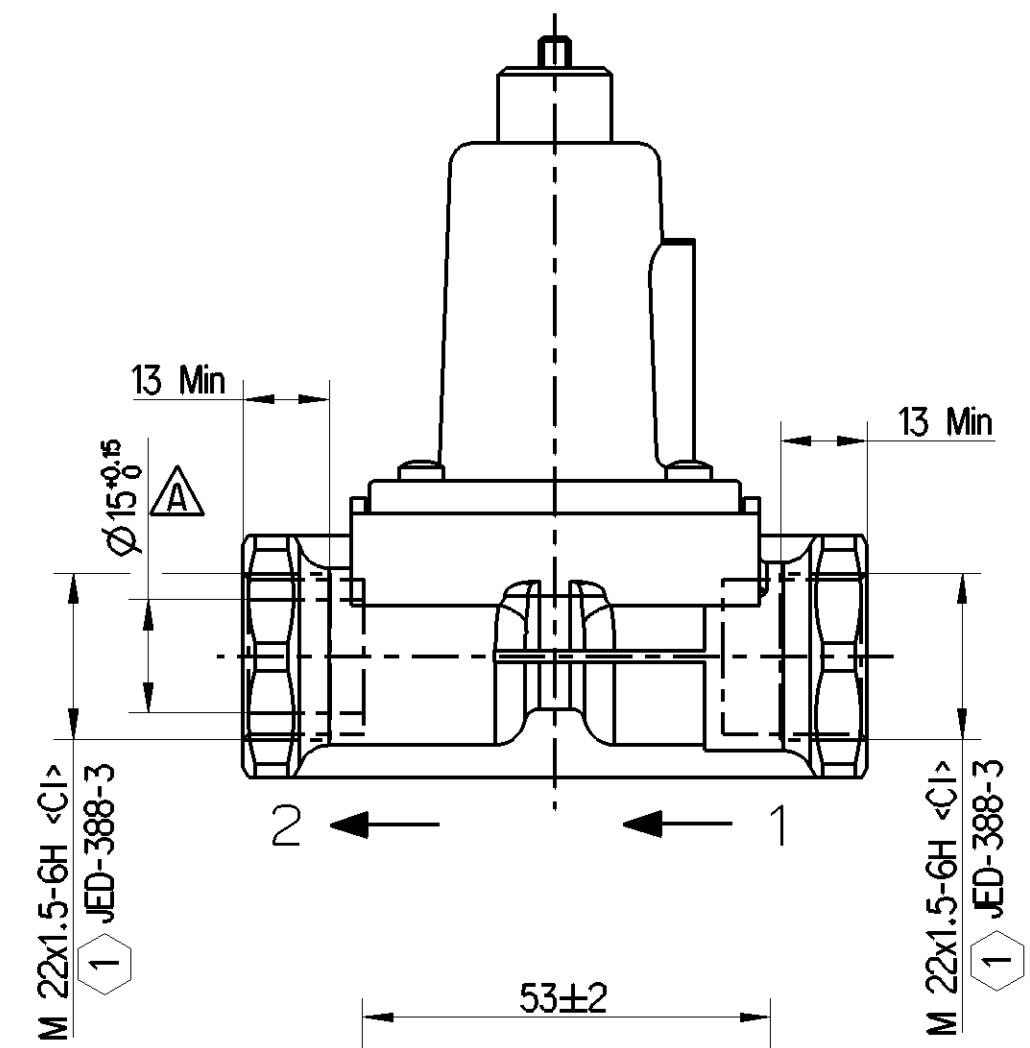
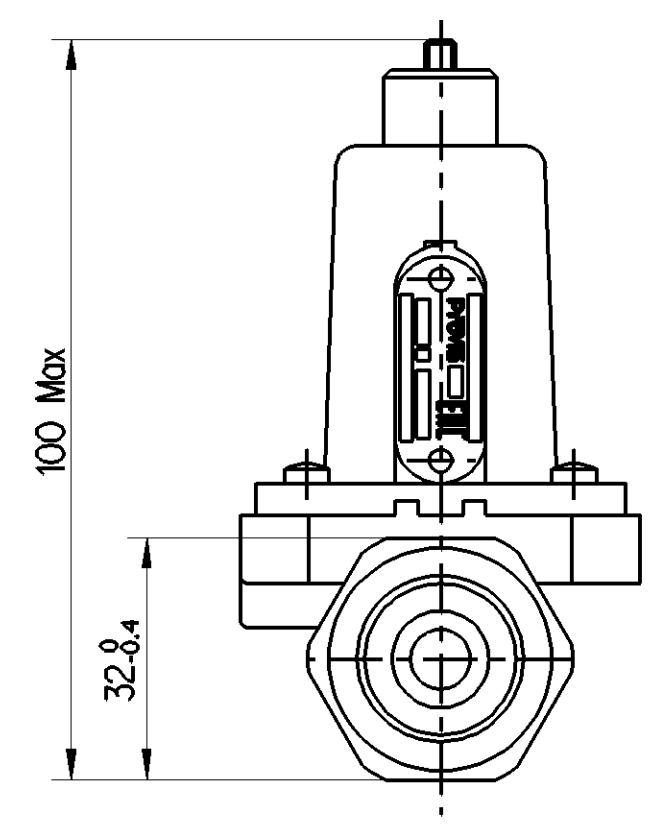


<1> SAFETY CHARACTERISTICS	0
<2> SIGNIFICANT CHARACTERISTICS	0
<CI> CUSTOMER INTERFACE	2



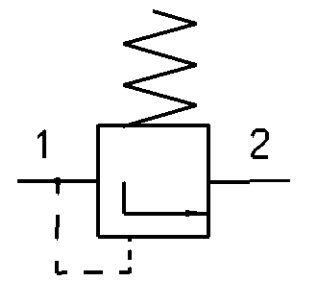
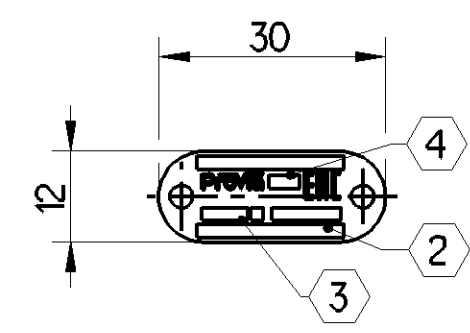
MEDIUM: AIR
 WORKING PRESSURE: MAX. $p_e = 13$ bar
 CHARGING PRESSURE: $7.3_{-0.3}^0$ bar
 WORKING TEMPERATURE: $-40^{\circ}\text{C} \dots +80^{\circ}\text{C}$
 1 TORQUE: 53 Nm Max

Non è permesso consegnare o terzi o riprodurre questo documento, né utilizzare il contenuto o renderlo comunque noto a terzi senza autorizzazione esplicita. Ogni infrazione costituisce un evidente abuso e comporterà il risarcimento dei danni subiti. È fatta riserva di tutti i diritti derivanti da brevetti o modelli.

Copying of this document and giving it to others and the use or communication of the contents thereof, are forbidden without express authority. Copying of this restriction will constitute an evident abuse and result in a liability to the payment of damages. All rights are reserved in the event of the grant of patent or registration or of utility model or design. This document is the subject of copyright.

Toute communication ou reproduction de ce document, toute exploitation ou communication de son contenu sont interdites, sauf autorisation expresse. Tout manquement à cette règle constitue un abus évident et expose son auteur au versement de dommages et intérêts. Tous droits de propriété intellectuelle réservés, notamment en matière de brevets et de modèles.

Weitergabe sowie Vervielfältigung dieser Unterlagen, Verwertung und Mitteilung ihres Inhalts nicht gestattet, soweit nicht ausdrücklich zugestanden. Zuwiderhandlungen stellen einen offensichtlichen Missbrauch dar und verpflichten zu Schadenersatz. Alle Rechte vorbehalten.



- △ 2 PROVIA IDENTIFICATION NUMBER
- △ 3 WEEK/YEAR OF MANUFACTURE
- △ 4 MANUFACTURING PLANT

SCHEMATIC DIAGRAM

General Specification: ISO 8015, JED-334-1, Size ISO 14405 LP		Copyright WABCO®		ProVia CHARGING VALVE	
Further Technical Data: PRO 122 024 0		Date	Signature		
Doc. Code: 035 Sheet: 1 To 7		2023-08-21	Kaviya		
General Tolerances JED-261		2023-09-06	Subbiah		
Range of Nominal Dimensions (± mm)		Dimensions in mm		Material No.	
Class 1)	≤ 50 > 50 ≤ 180 > 180 ≤ 400 > 400	Mass	Scale	Date of first issue: 2023-01-25	
Fine	±0.5 ±1 ±1.5 ±2	0.22 kg	1:1	Doc.Code Language Sheet	
Medium	±1 ±2 ±3 ±4	PRO 122 027 0		005 EN 1/1	
Coarse	±2 ±3.5 ±5 ±6.5	Size	CAD System	Replacement for	
Tapped Holes acc. -		A 2	CREO	-	
1) Tolerance Class Applied Crossmarked		ECN-No. Revision Techn. Resp.		-	
		515047 4x A 5120_AM			

100mm