

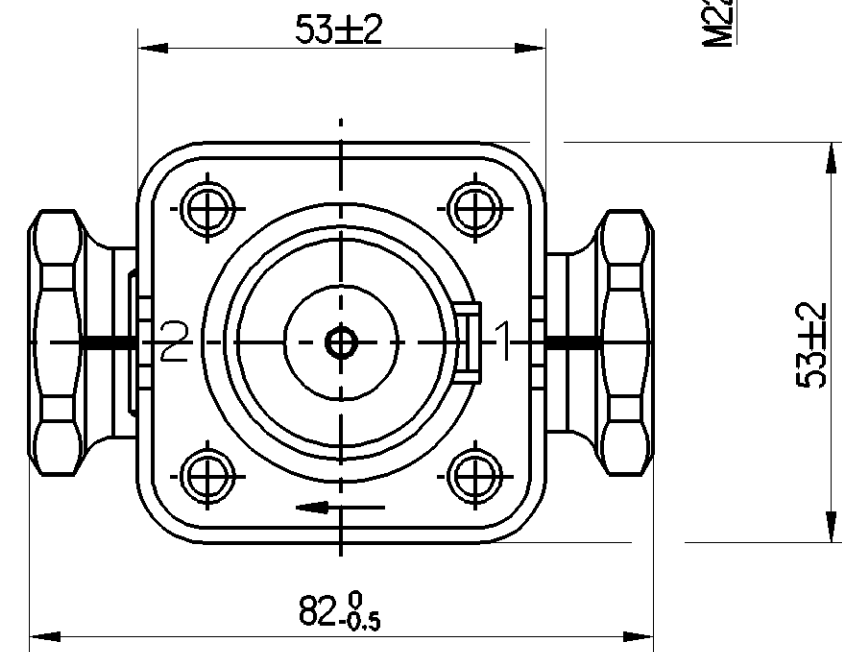
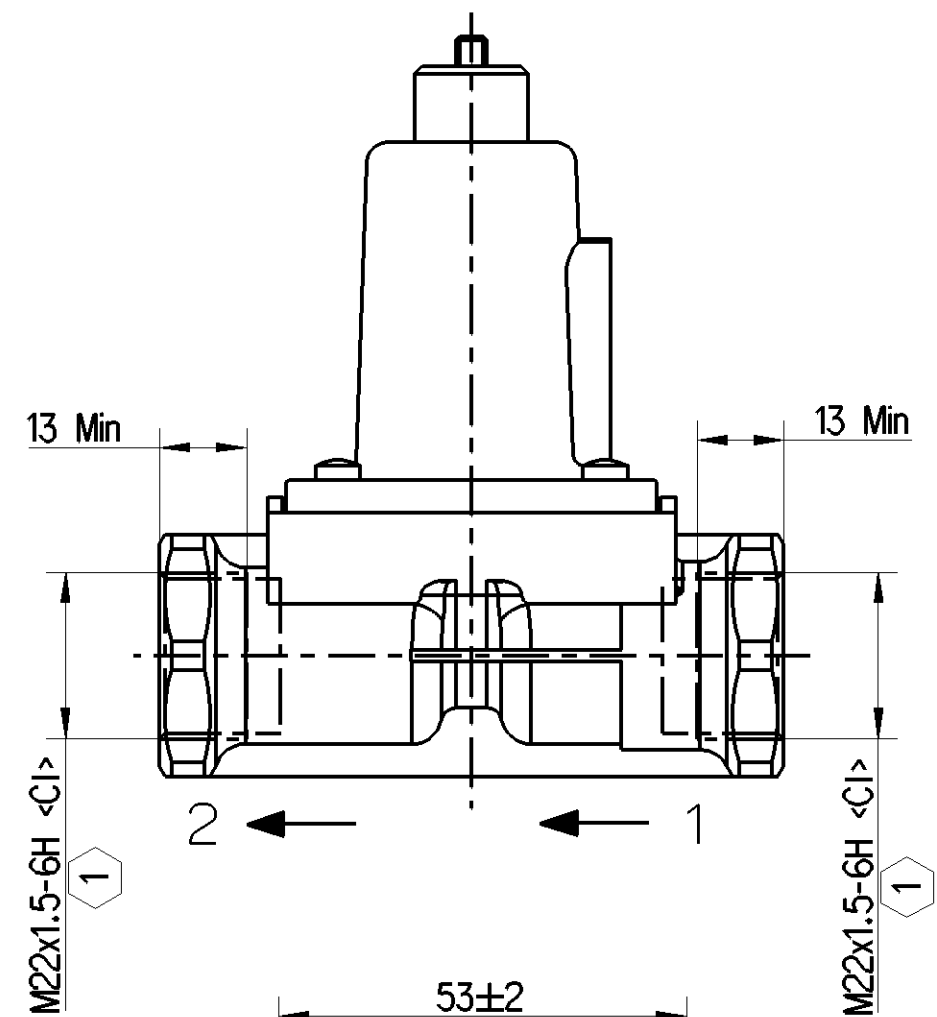
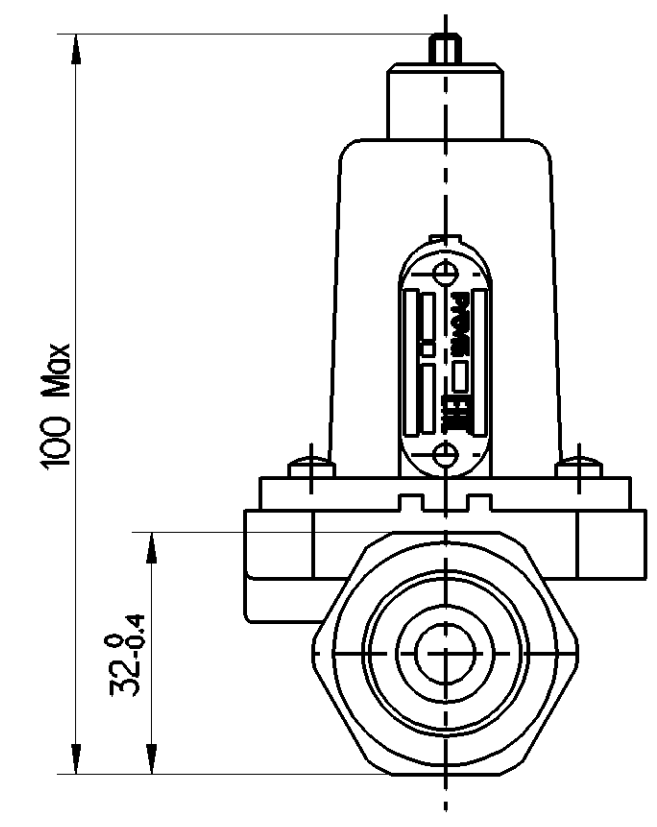
<1>	SAFETY CHARACTERISTICS	0
<2>	SIGNIFICANT CHARACTERISTICS	0
<C1>	CUSTOMER INTERFACE	2

Non è permesso consegnare o terzi o riprodurre questo documento, né utilizzare il contenuto o renderlo comunque noto a terzi senza autorizzazione esplicita. Ogni infrazione costituirà un evidente abuso e comporterà il risarcimento dei danni subiti. È fatta riserva di tutti i diritti derivanti da brevetti o modelli.

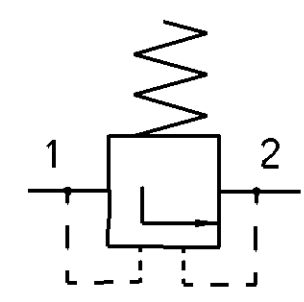
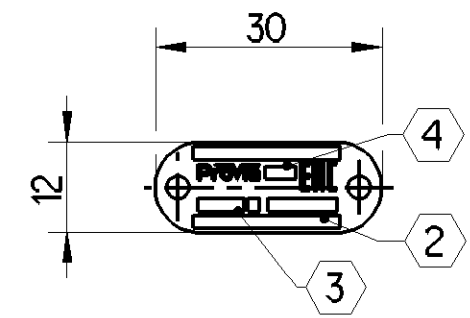
Copying of this document and giving it to others and the use or communication of the contents thereof, are forbidden without express authority. Communication of this restriction will constitute an evident abuse and result in a liability to the payment of damages. All rights are reserved in the event of the grant of patent or registration or a utility model or design. This document is the subject of copyright.

Toute communication ou reproduction de ce document, toute exploitation ou communication de son contenu sont interdites, sauf autorisation expresse. Tout manquement à cette règle constitue un abus évident et expose son auteur ou versement de dommages et intérêts. Tous droits de propriété intellectuelle réservés, notamment en matière de brevets et de modèles.

Weitergabe sowie Vervielfältigung dieser Unterlagen, Verwertung und Mitteilung ihres Inhalts nicht gestattet, soweit nicht ausdrücklich zugelassen. Zuwiderhandlungen stellen einen offensichtlichen Missbrauch dar und verpflichten zu Schadenersatz. Alle Rechte vorbehalten.



MEDIUM: AIR
 WORKING PRESSURE: MAX. $p_e = 13$ bar
 CHARGING PRESSURE: $8.5_{-0.3}^0$ bar
 WORKING TEMPERATURE: $-40^{\circ}\text{C} \dots +80^{\circ}\text{C}$
 1 TORQUE: 53Nm Max



- ▲ 2 PROVIA IDENTIFICATION NUMBER
- ▲ 3 WEEK/YEAR OF MANUFACTURE
- ▲ 4 MANUFACTURING PLANT

SCHEMATIC DIAGRAM

General Specifications: ISO 8015, JED-334-1, Size ISO 14405 LP		Copyright WABCO®		ProVia	
Further Technical Data: PRO 122 028 0		Date	Signature		
Doc. Code: 035	Sheet: 1 To 6	2023-08-21	Kaviya	CHARGING VALVE	
General Tolerances JED-261		Checked	Subbiah		
Range of Nominal Dimensions (± mm)		Dimensions in mm		Material No.	
Class 1)	≤ 50 > 50 > 180 > 180 > 400 > 400	Mass	Scale	Date of first issue: 2023-01-25	
Fine	±0.5 ±1 ±1.5 ±2	0.22 kg	1:1	PRO 122 028 0	
Medium	±1 ±2 ±3 ±4	Size	CAD System	Doc. Code	Language
Coarse	±2 ±3.5 ±5 ±6.5	A 2	CREO	005	EN
Tapped Holes acc. JED-152		ECN-No.		Revision	Techn. Resp.
1) Tolerance Class Applied Crossmarked		515047		3x	A
		5120_AM		Replacement for	

100mm