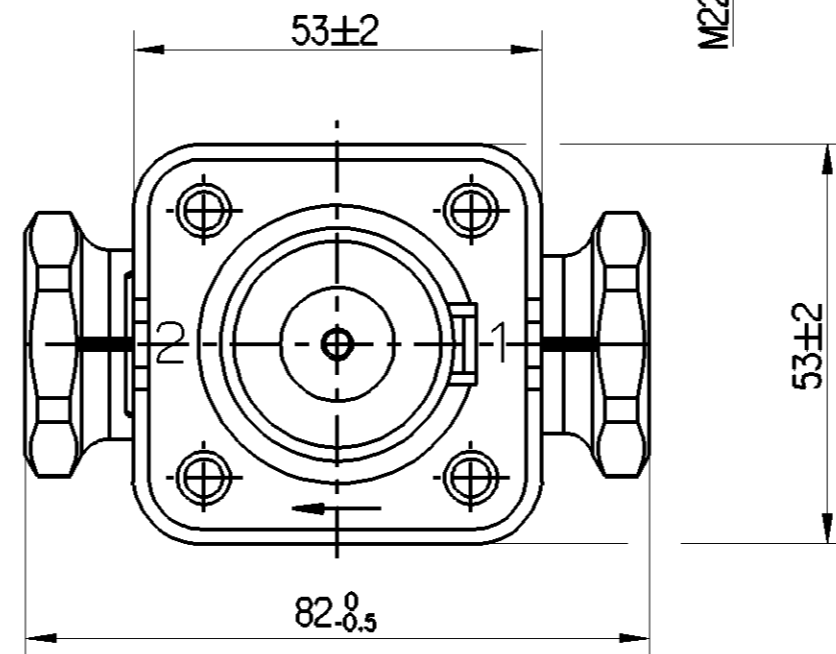
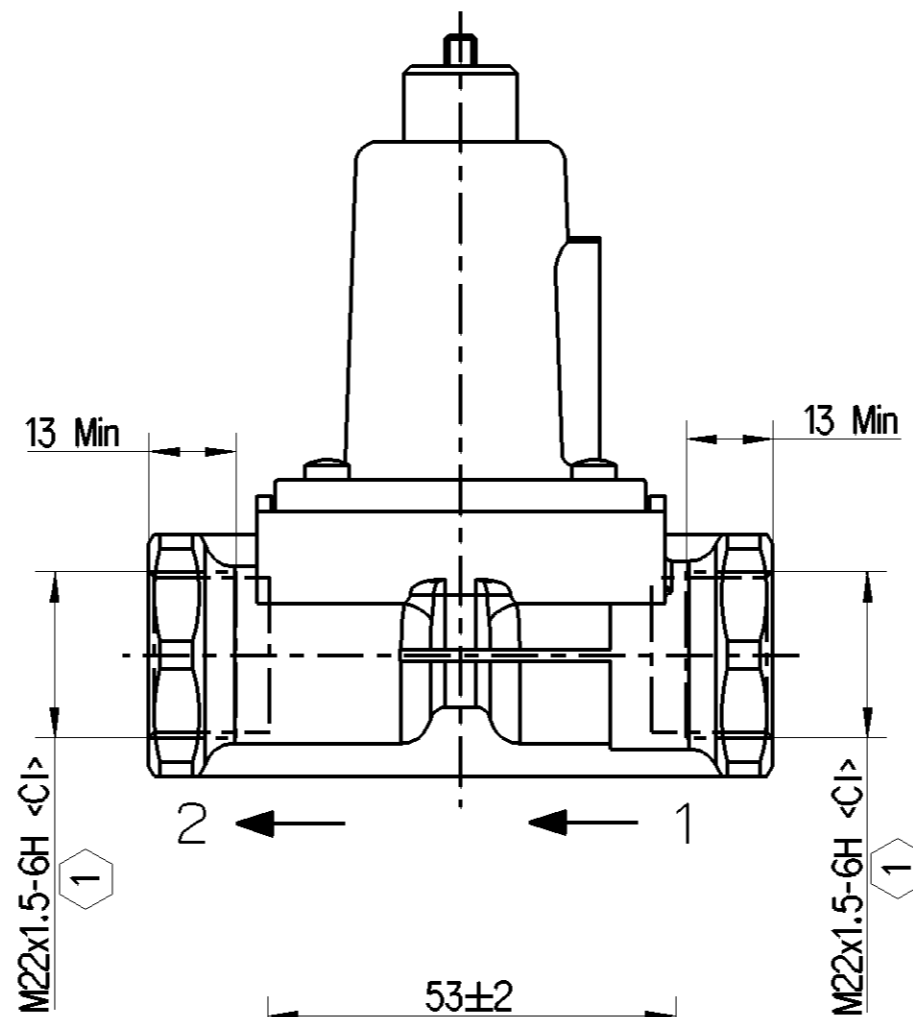
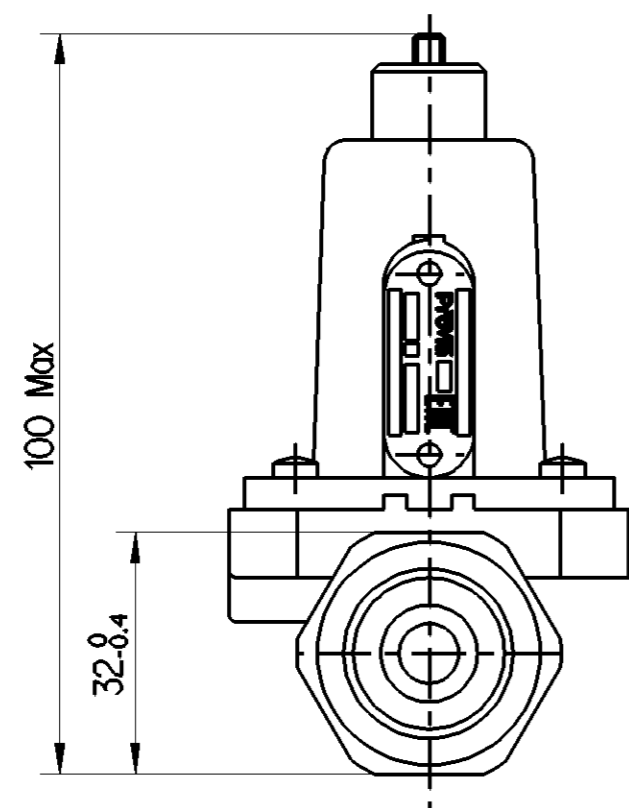
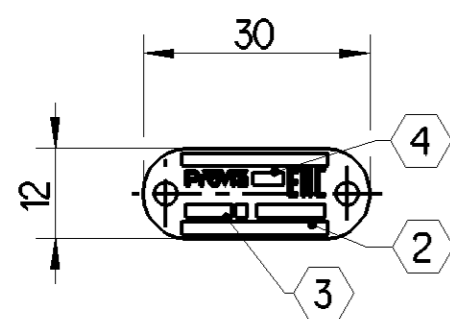


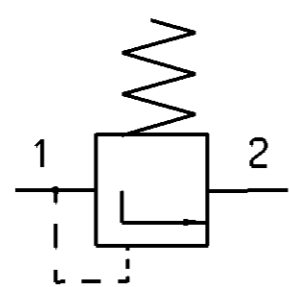
<1> SAFETY CHARACTERISTICS	0
<2> SIGNIFICANT CHARACTERISTICS	0
<CI> CUSTOMER INTERFACE	2



MEDIUM: AIR  
 WORKING PRESSURE: MAX. $P_e$  = 13 bar  
 CHARGING PRESSURE: 6.5 $_{-0.3}^0$  bar  
 WORKING TEMPERATURE: -40°C. . . +80°C  
 ① TORQUE: 53 Nm Max



- ② PROVIA IDENTIFICATION NUMBER
- ③ WEEK/YEAR OF MANUFACTURE
- ④ MANUFACTURING PLANT



SCHEMATIC DIAGRAM

General Specification: ISO 8015, JED-334-1, Size ISO 14405 LP		Copyright WABCO®		<b>ProVia</b>	
Further Technical Data: PRO 122 024 0		Date	Signature		
Doc. Code: 035	Sheet: 1 To 7	2023-08-21	Drawn <b>Kaviya</b>	<b>CHARGING VALVE</b>	
General Tolerances JED-261		Checked	2023-09-06		
Range of Nominal Dimensions ( ± mm)		Dimensions in mm		Date of first issue: <b>2023-01-25</b>	
Class 1)	≤ 50 > 50 ≤ 180 > 180 ≤ 400 > 400	Mass	Scale	Material No.	Doc.Code
Fine	±0.5 ±1 ±1.5 ±2	0.22	1:1	PRO 122 029 0	005
Medium	±1 ±2 ±3 ±4	Kg			EN
Coarse	±2 ±3.5 ±5 ±6.5				1/1
Tapped Holes acc. JED-152		Size	CAD System	ECN-No.	Revision
1) Tolerance Class Applied Crossmarked		A 2	CREO	515047	3x
		Techn. Resp.		Replacement for	
		A		5120_AM	

Non e permesso copiare, o terzi o riprodurre questo documento, ne utilizzare il contenuto o renderlo comunque noto a terzi senza autorizzazione esplicita. Ogni infrazione costituisce un evidente abuso e comporterà il risarcimento dei danni subiti. E' fatta riserva di tutti i diritti derivanti da brevetti o modelli.  
 Copying of this document and giving it to others and the use or communication of the contents thereof, are forbidden without express authority. Contention of this restriction will constitute an evident abuse and result in a liability to the payment of damages. All rights are reserved in the event of the grant of patent or registration of a utility model or design. This document is the subject of copyright.

Toute communication ou reproduction de ce document, toute exploitation ou communication de son contenu sont interdites, sauf autorisation expresse. Tout manquement a cette regle constitue un abus evident et expose son auteur au versement de dommages et interets. Tous droits de propriete industrielle reserves, notamment en matiere de brevets et de modesles.  
 Weitergabe sowie Vervielfältigung dieses Urteiles, Verwertung und Mitteilung desselben ist nicht gestattet, soweit nicht ausdrücklich angedeutet. Zuwiderhandlungen stellen einen offensichtlichen Missbrauch dar und verpflichten zu Schadensersatz. Alle Rechte hier den Fall der Patenterteilung oder Gebrauchsmuster-Eintragung vorbehalten.