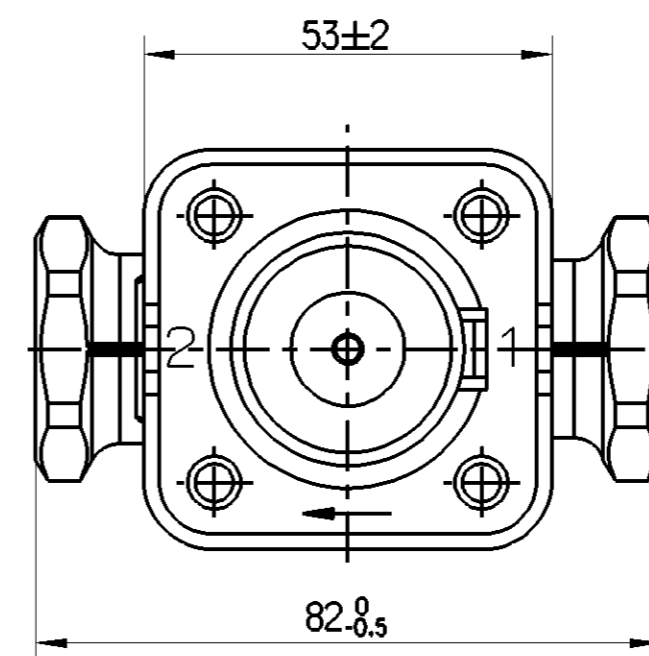
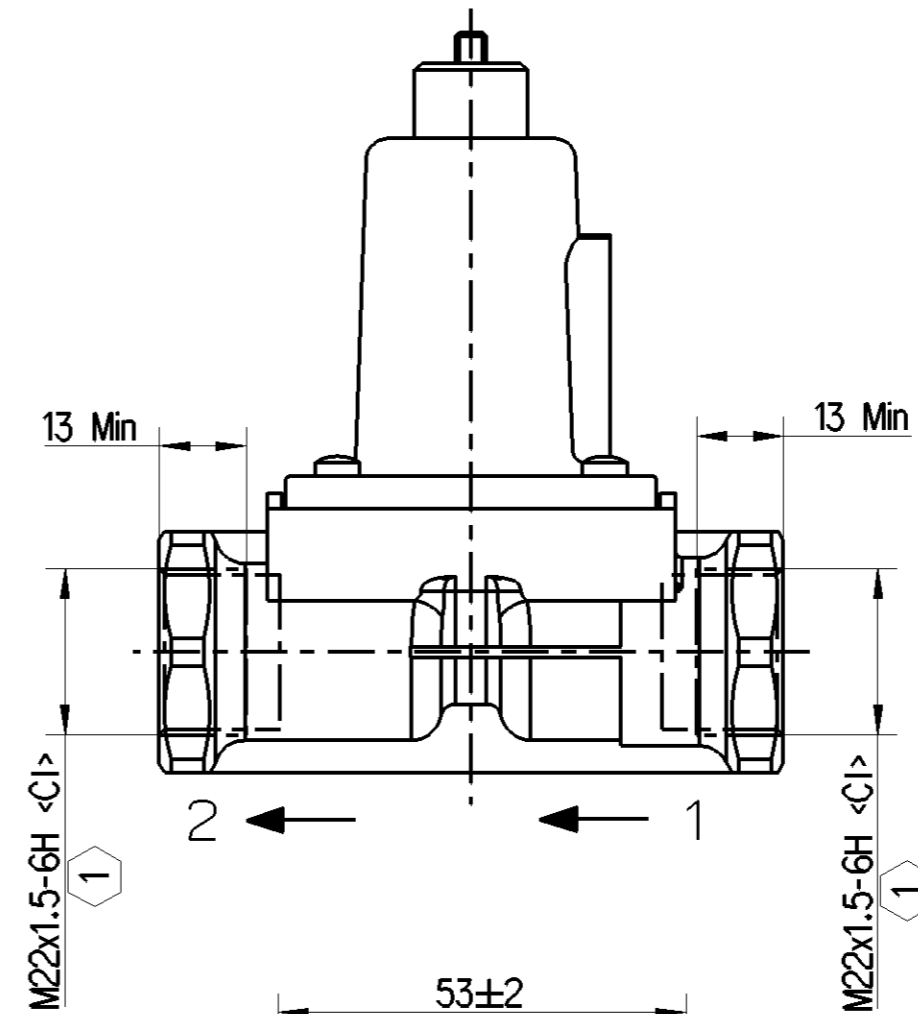
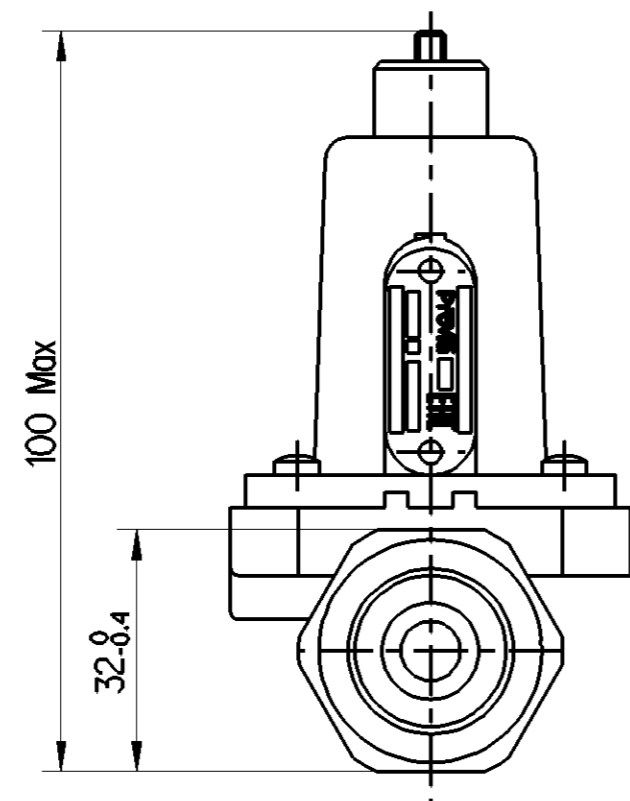
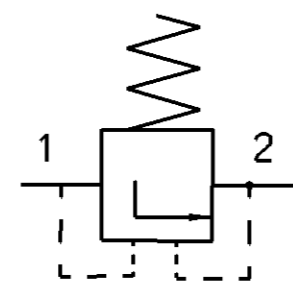
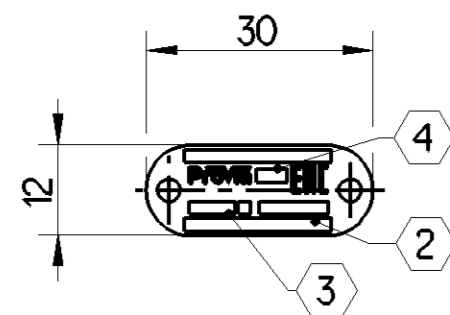


<1> SAFETY CHARACTERISTICS	0
<2> SIGNIFICANT CHARACTERISTICS	0
<C1> CUSTOMER INTERFACE	2



MEDIUM: AIR
 WORKING PRESSURE: MAX. $P_e = 13$ bar
 CHARGING PRESSURE: $10^{0.0.3}$ bar
 WORKING TEMPERATURE: $-40^{\circ}\text{C} \dots +80^{\circ}\text{C}$
 1 TORQUE: 53Nm Max



SCHEMATIC DIAGRAM

- △ 2 PROVIA IDENTIFICATION NUMBER
- △ 3 WEEK/YEAR OF MANUFACTURE
- △ 4 MANUFACTURING PLANT

General Specification: ISO 8015, JED-334-1, Size ISO 14405 LP		Copyright WABCO®		ProVia	
Further Technical Data: PRO 122 028 0		Date	Signature		
Doc. Code: 035 Sheet: 1 To 6		2023-08-21	Kaviya	CHARGING VALVE	
General Tolerances JED-261		Checked	Subbich		
Range of Nominal Dimensions (± mm)		Dimensions in mm		Date of first issue: 2023-01-25	
Class 1)	≤ 50 > 50 ≤ 180 > 180 ≤ 400 > 400	Mass	Scale	Material No.	
Fine	±0.5 ±1 ±1.5 ±2	0.22	1:1	PRO 122 030 0	
Medium	±1 ±2 ±3 ±4	Kg		005 EN 1/1	
Coarse	±2 ±3.5 ±5 ±6.5	Size	CAD System	Replacment for	
Tapped Holes acc. JED-152		A 2	CREO	ECN-No.	Revision
1) Tolerance Class Applied Crossmarked		A 2		515047	3x A
		CREO		Techn. Resp.	5120_AM

Non e permesso copiare, o terzi o riprodurre questo documento, ne utilizzare il contenuto o renderlo comunque noto a terzi senza autorizzazione esplicita. Ogni infrazione costituisce un evidente abuso e comportera il risarcimento dei danni subiti. E' fatta riserva di tutti i diritti derivanti da brevetti o modelli.

Toute communication ou reproduction de ce document, toute exploitation ou communication de son contenu sont interdites, sauf autorisation expresse. Tout manquement a cette regle constitue un abus evident et expose son auteur au versement de dommages et interets. Tous droits de propriete industrielle reserves, notamment en matiere de brevets et de modesles.

Copying of this document and giving it to others and the use or communication of the contents thereof, are forbidden without express authority. Contravention of this restriction will constitute an evident abuse and result in a liability to the payment of damages. All rights are reserved in the event of the grant of patent or registration of a utility model or design. This document is the subject of copyright.

Weitergabe sowie Vervielfaltigung dieser Unterlagen, Verwertung und Mitteilung ihres Inhalts nicht gestattet, soweit nicht ausdrücklich ansonsten, zu wiederholenden, stellen einen offensichtlichen Missbrauch dar und verpflichten zu Schadensersatz. Alle Rechte fuer den Fall der Patentierung oder Gebrauchsmuster-Eintragung vorbehalten.