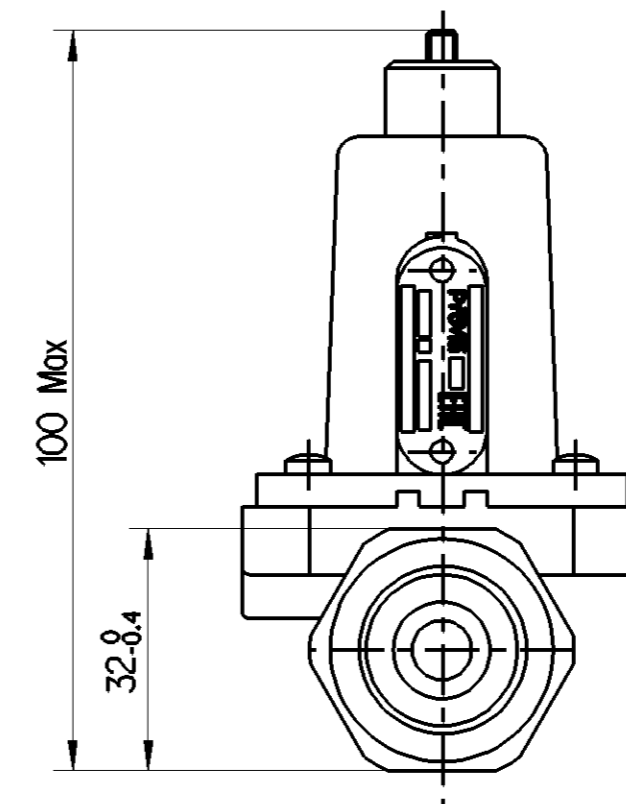
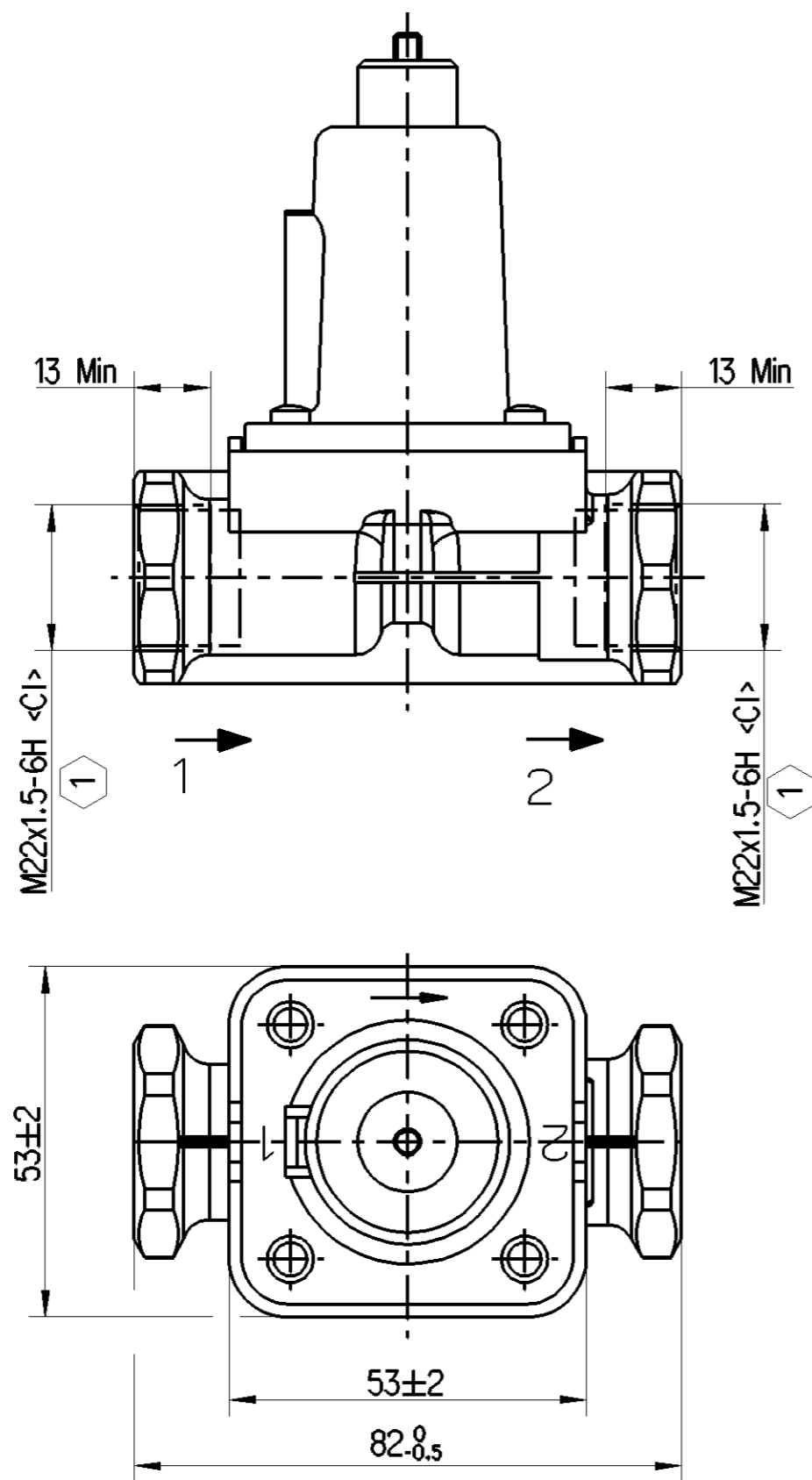
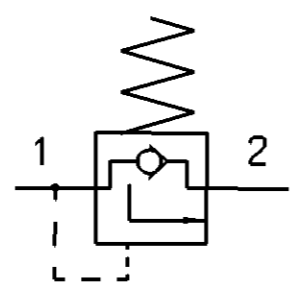
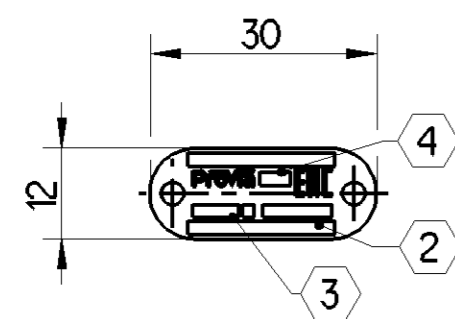


|                                 |   |
|---------------------------------|---|
| <1> SAFETY CHARACTERISTICS      | 0 |
| <2> SIGNIFICANT CHARACTERISTICS | 0 |
| <C1> CUSTOMER INTERFACE         | 2 |



MEDIUM: AIR  
 WORKING PRESSURE: MAX. $p_e$  = 13 bar  
 CHARGING PRESSURE: 7.3 $_{-0.3}^0$  bar  
 WORKING TEMPERATURE: -40°C. . . +80°C  
 1 TORQUE: 53Nm Max



SCHEMATIC DIAGRAM

- 1 PROVIA IDENTIFICATION NUMBER
- 2 WEEK/YEAR OF MANUFACTURE
- 3 MANUFACTURING PLANT

|   |      |                  |             |                                 |              |
|---|------|------------------|-------------|---------------------------------|--------------|
| General Specification: ISO 8015, JED-334-1, Size ISO 14405 LP |      | Copyright WABCO® |             | <b>ProVia</b>                   |              |
| Further Technical Data: PRO 122 034 0                         |      | Date             | Signature   |                                 |              |
| Doc. Code: 035 Sheet: 1 To 7                                  |      | 2023-08-21       | Kaviya      | <b>CHARGING VALVE</b>           |              |
| General Tolerances JED-261                                    |      | Checked          |             |                                 |              |
| Range of Nominal Dimensions ( ± mm)                           |      | 2023-09-06       | Subbich     |                                 |              |
| Class 1)  | ≤ 50 | > 50 ≤ 180       | > 180 ≤ 400 | > 400                           | ±3°          |
| Fine  | ±0.5 | ±1               | ±1.5        | ±2                              |              |
| Medium  | ±1   | ±2               | ±3          | ±4                              |              |
| Coarse  | ±2   | ±3.5             | ±5          | ±6.5                            |              |
| Tapped Holes acc. JED-152                                     |      | Dimensions in mm |             | Material No.                    |              |
| 1) Tolerance Class Applied Crossmarked                        |      | Mass             | Scale       | Date of first issue: 2023-01-25 |              |
|   |      | 0.22             | 1:1         | PRO 122 037 0                   |              |
|   |      | Size             | CAD System  | Doc.Code                        | Language     |
|   |      | A 2              | CREO        | 005                             | EN           |
|   |      | ECN-No.          |             | Revision                        | Techn. Resp. |
|   |      | 515047           |             | 3x                              | A            |
|   |      | Replacement for  |             | Sheet                           |              |
|   |      | -                |             | 1/1                             |              |

100mm