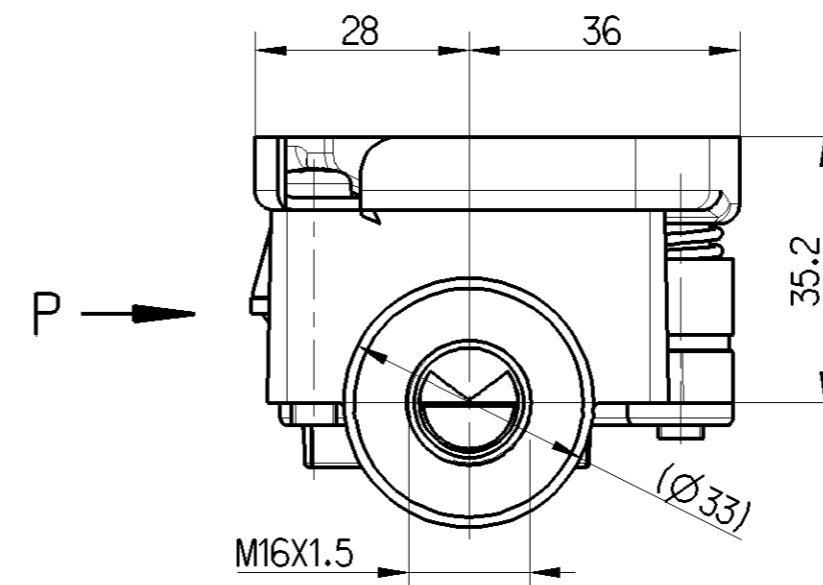
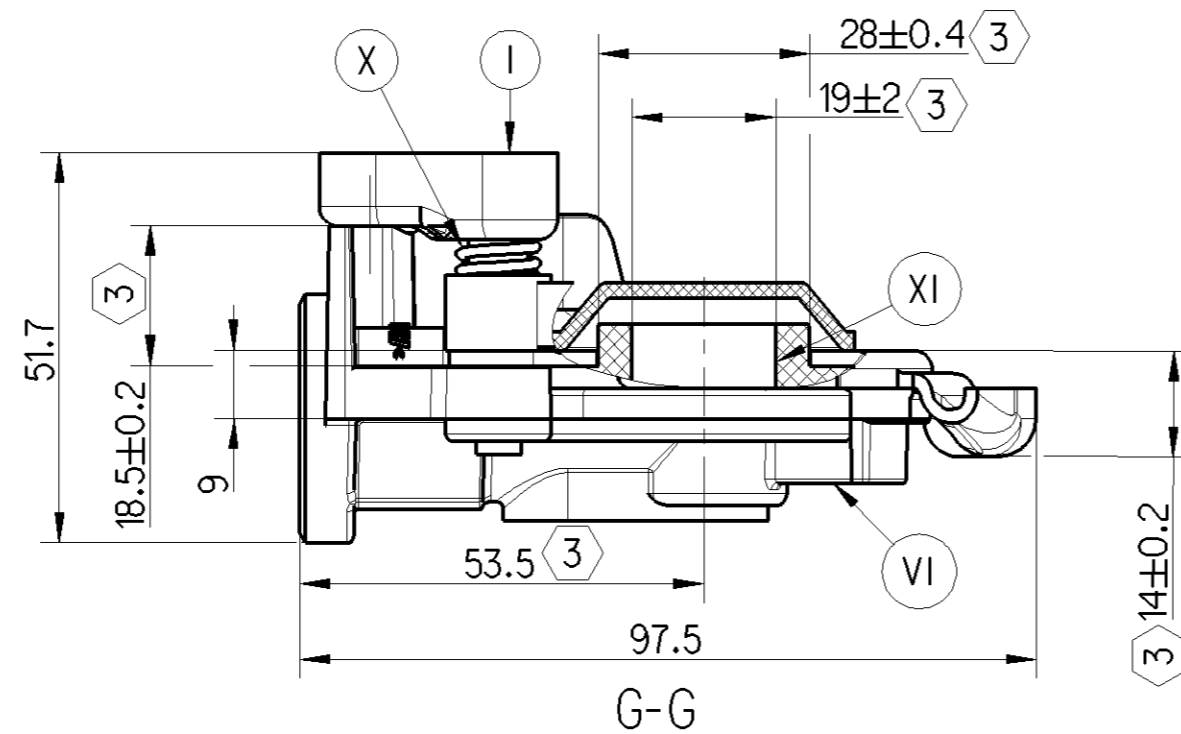
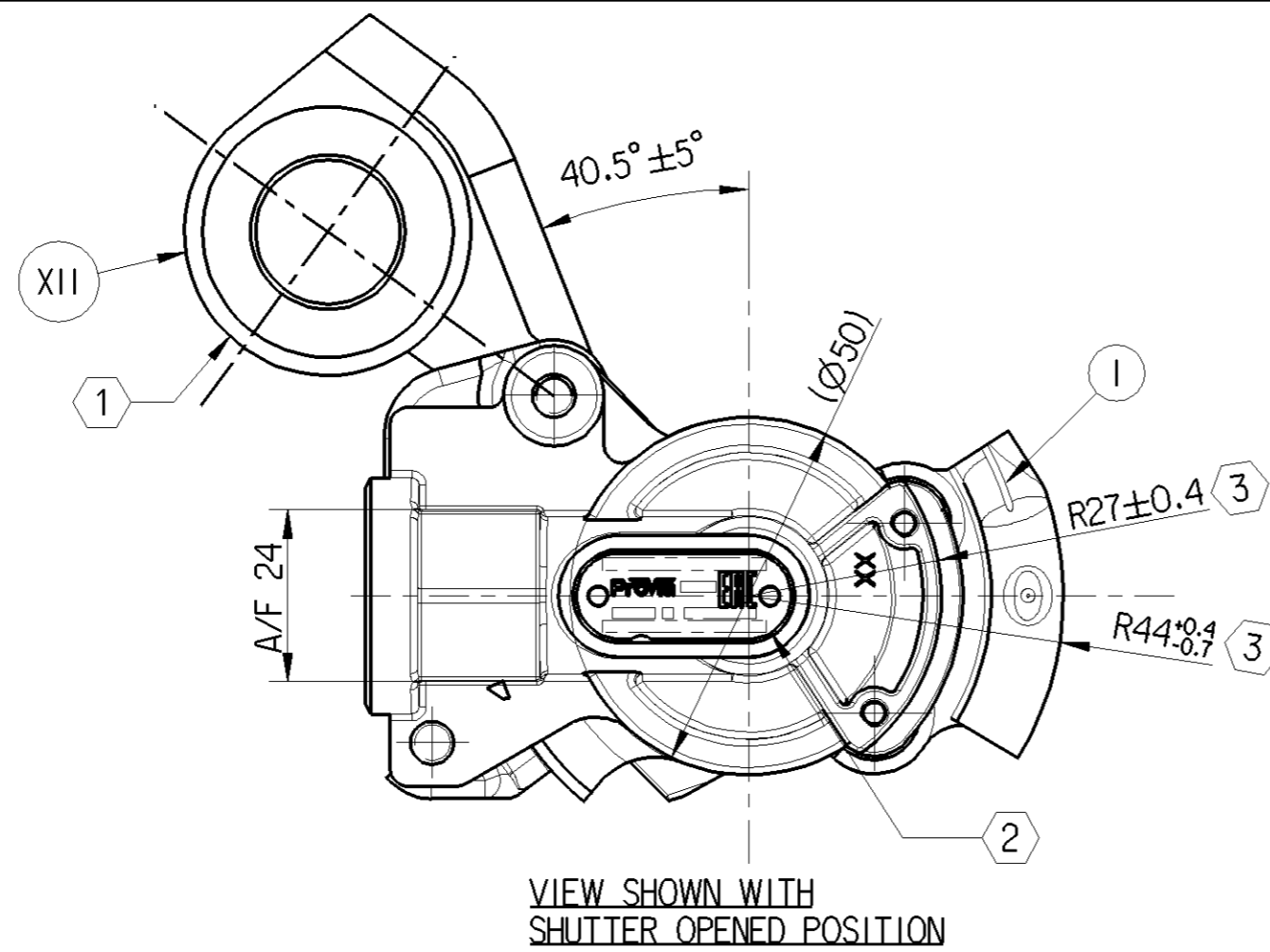
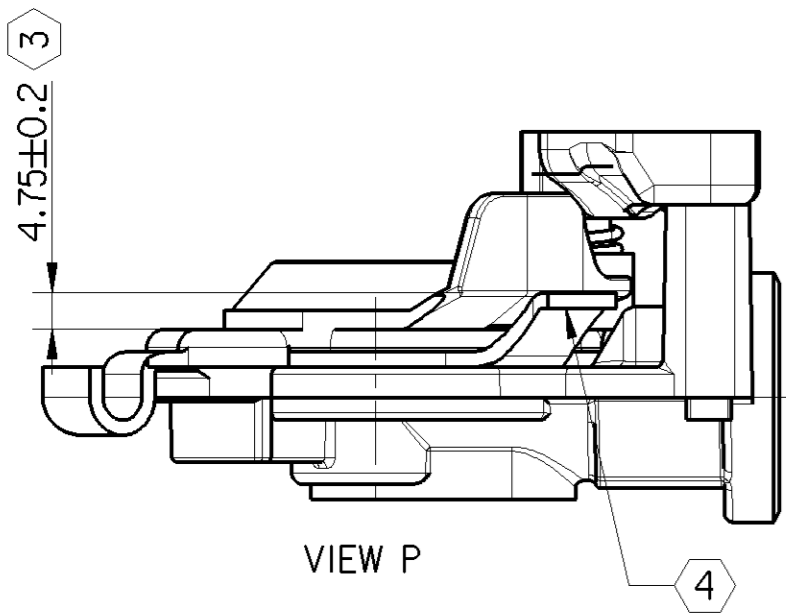


<1> SAFETY CHARACTERISTICS	0
<2> SIGNIFICANT CHARACTERISTICS	0

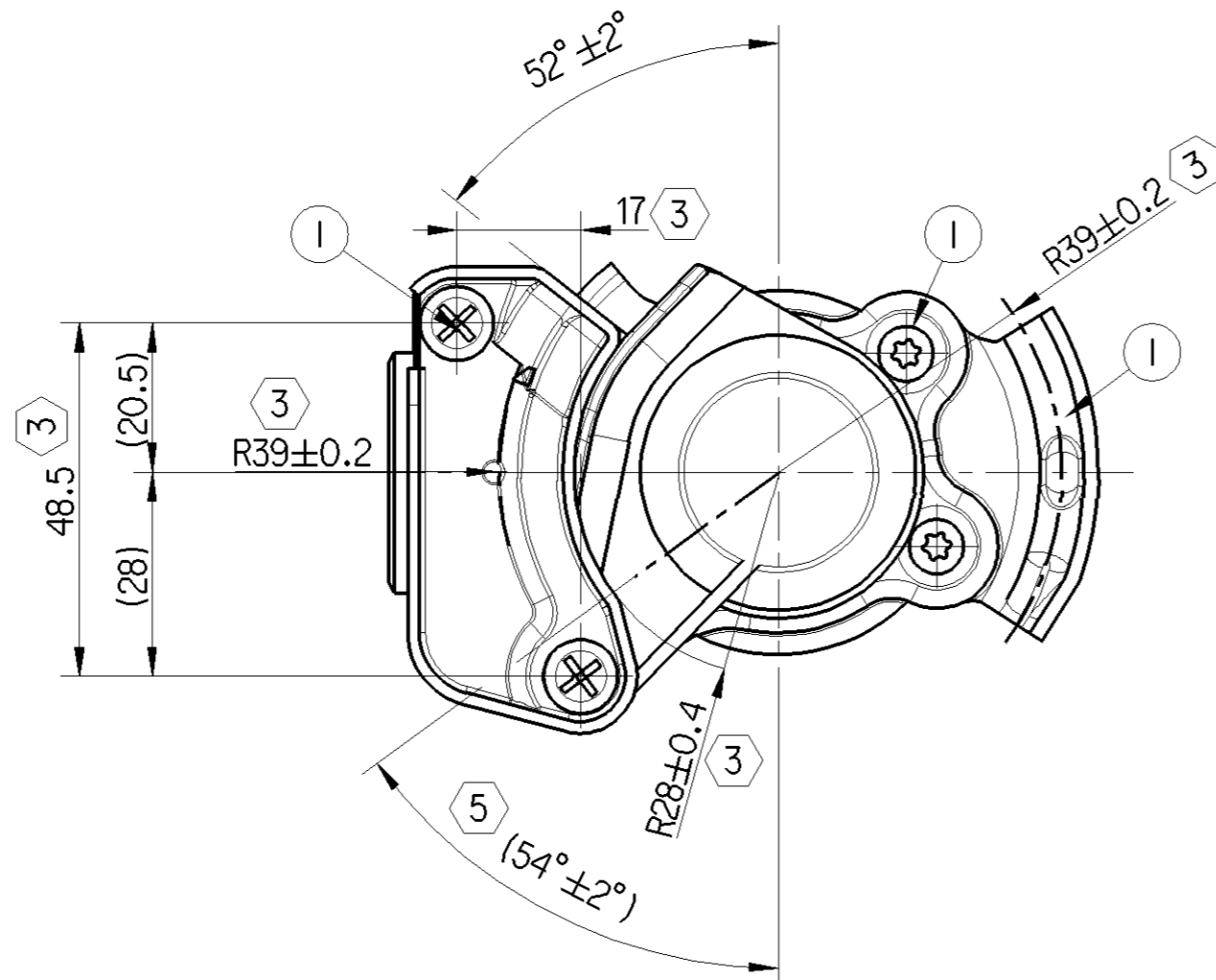
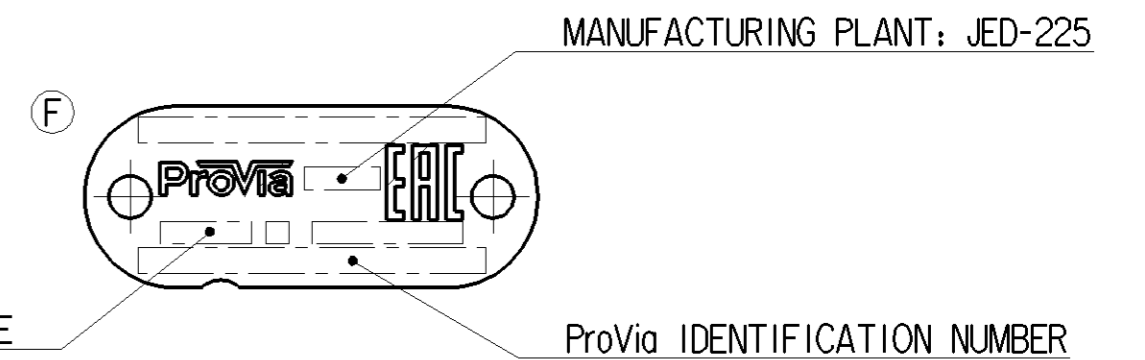
SL.No	NOTES	
1.	PRODUCT FUNCTION AND RELIABILITY	
1.1	PRODUCT SPECIFICATION No.	PS PRO2002210
1.2	WORKING MEDIUM	AIR
1.3	NORMAL WORKING PRESSURE	8.5 bar
1.4	MAXIMUM WORKING PRESSURE (TEMPORARILY)	10 bar
1.5	THERMAL RANGE OF OPERATION	-40° C TO +80° C
1.6	DESIGN COMPLIES WITH (NORM)	ISO 1728
2.	CIRCUIT DIAGRAM SYMBOL	ISO 1219
2.1	USAGE	CONTROL LINE
2.2	TORQUE FOR HOSE CONNECTION	31 ± 3 Nm

NOTES:

- ① SHUTTER COLOUR YELLOW
- ② ASSY. PART No. AND BATCH No. ARE SHOWN
- ③ DIMENSIONS WILL BE ENSURED IN CHILD PARTS ONLY.
- ④ SAFEGUARD AGAINST CROSS COUPLING
- ⑤ SHUTTER STOP POSITION



NAME PLATE DETAILS



PART CODE	MATERIAL	SURFACE PROTECTION
XVII	STEEL	NO TREATMENT
XVI	CAST IRON	PLATED
XV	STEEL	ZINC-IRON PLATED
XIV	CAST IRON	NO TREATMENT
XIII	ZINC ALLOY	ANODISED
XII	PLASTIC	NO TREATMENT
XI	RUBBER	NO TREATMENT
X	STAINLESS STEEL	NO TREATMENT
IX	BRASS	NO TREATMENT
VIII	ZINC ALLOY	CHROMATED
VII	ALUMINIUM ALLOY	ANODISED
VI	ALUMINIUM ALLOY	CHROMATED
V	CAST IRON	PAINTED
IV	STEEL	POWDER COATED
III	STEEL	PAINTED
II	STEEL	PHOSPHATED
I	STEEL	ZINC PLATED

General Specification: JED-334-1, Size ISO 14405 LP		Copyright WABCO®		ProVia	
Further Technical Data: Product Specification PRO2002210		Date	Signature	HOSE COUPLING (TRAILER-CONTROL)	
Doc. Code: 035	Sheet: 1 To 4	2018-09-19	Saravanan	Checked	
General Tolerances JED-261		2018-09-21	Aswinkumar	Expert	
Range of Nominal Dimensions (± mm)		Suresh		Material No.	
Class	1) ≤ 50 > 50 ≤ 180 > 180 ≤ 400 > 400	Mass	Scale	Date of first issue: 2015-04-24	
Fine	±0.1	0.220	1:1	Doc. Code Language Sheet	
Medium	±0.2	±3°	(2:1)	PRO 200 022 0	
Coarse	±0.5	Size	CAD System	005 EN 1/1	
Tapped Holes acc. JED-152		A 2	CREO	ECN-No. Revision Techn. Resp. Replacement for	
1) Tolerance Class Applied Crossmarked		177205	1 F	5710_AM	

Non e permesso copiare, o terzi o riprodurre questo documento, ne utilizzare il contenuto o renderlo comunque noto o terzi senza autorizzazione esplicita. Ogni infrazione costituisce un evidente abuso e comportera il risarcimento dei danni subiti. E' fatta riserva di tutti i diritti derivanti da brevetti o modelli.

Toute communication ou reproduction de ce document, toute exploitation ou communication de son contenu sont interdites, sauf autorisation expresse. Tout manquement a cette regle constitue un abus evident et entraine sans delai et sans reserve de dommages et interets. Tous droits de propriete industrielle reserves, notamment en matiere de brevets et de modesles.

Copying of this document and giving it to others and the use or communication of the contents thereof, are forbidden, without express authority. Contravention of this restriction will constitute an evident abuse and result in a liability to the payment of damages. All rights are reserved in the event of the grant of patent or registration of a utility model or design. This document is the subject of copyright.

Weitergabe sowie Vervielfaltigung dieses Urteils, Verbreitung und Mitteilung desselben ist nicht gestattet, soweit nicht ausdreslich ansonstern, zu wiederholenden Malen ein schriftliches Missbrauch dar und verpflichtet zu Schadenersatz. Alle Rechte hier den Fall der Patentierung oder Gebrauchsmuster-Eintragung vorbehalten.