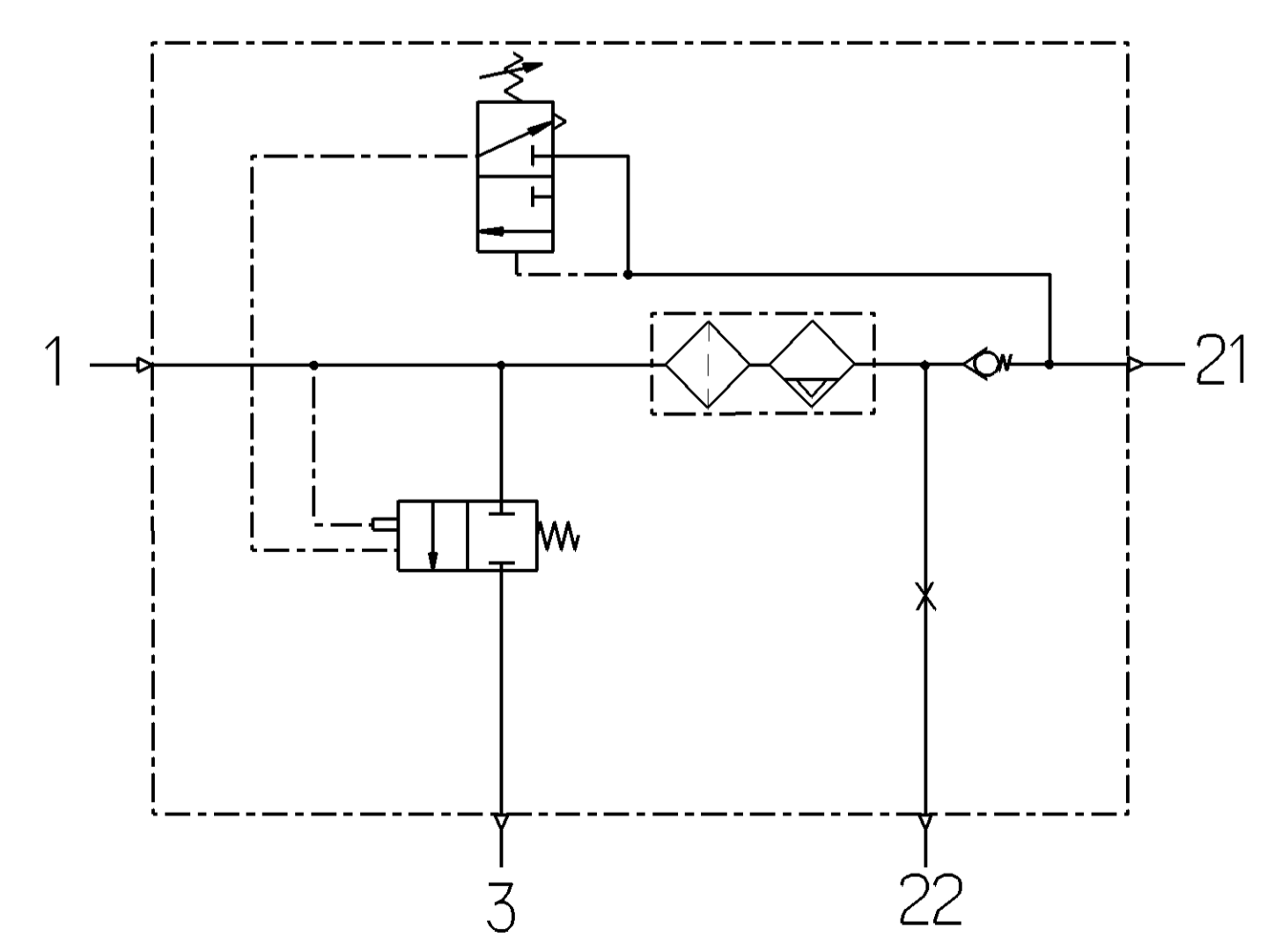
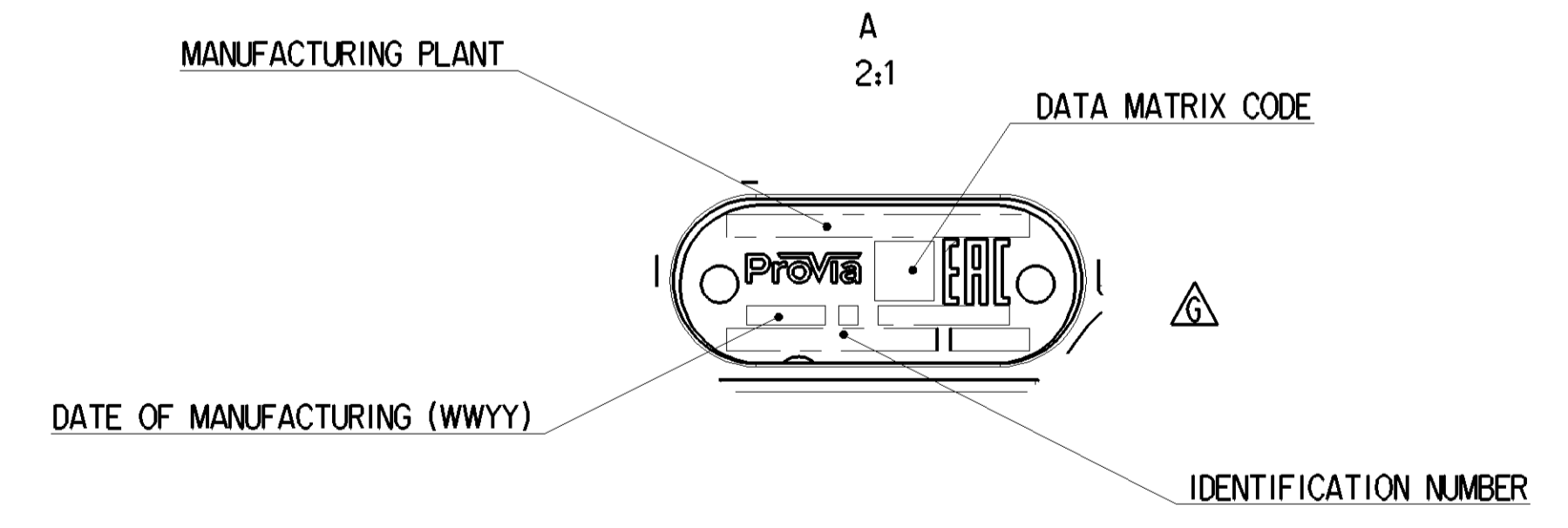
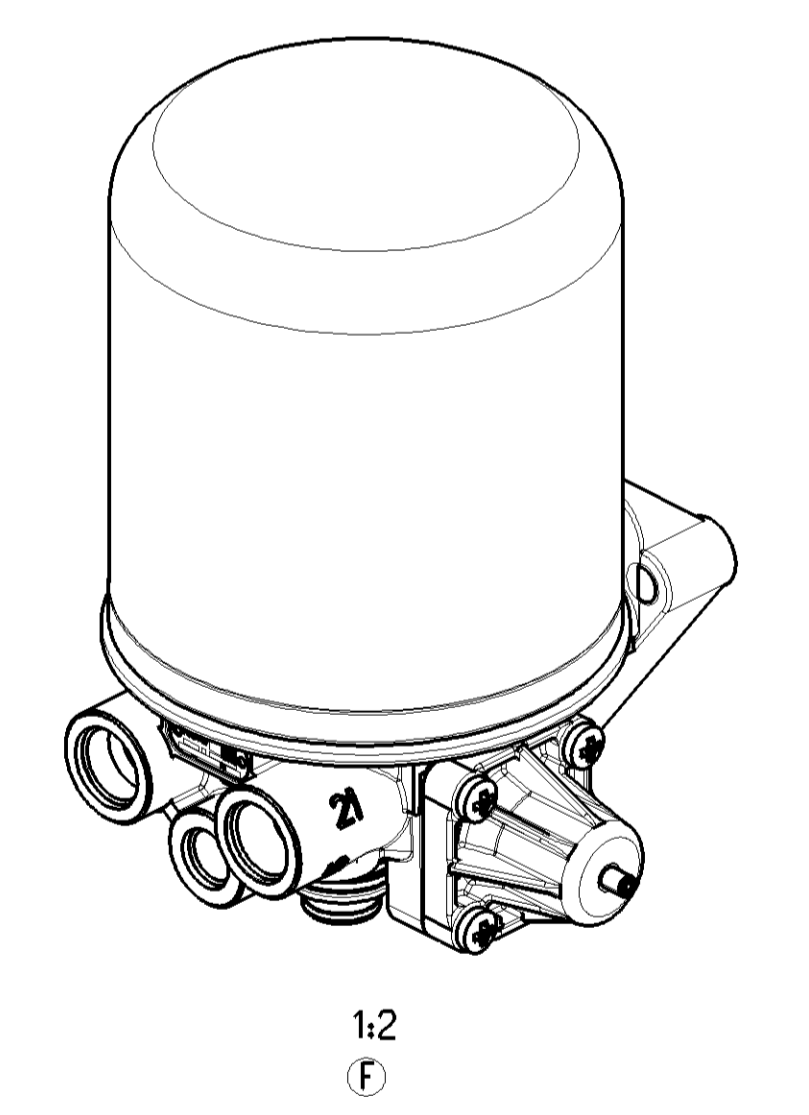
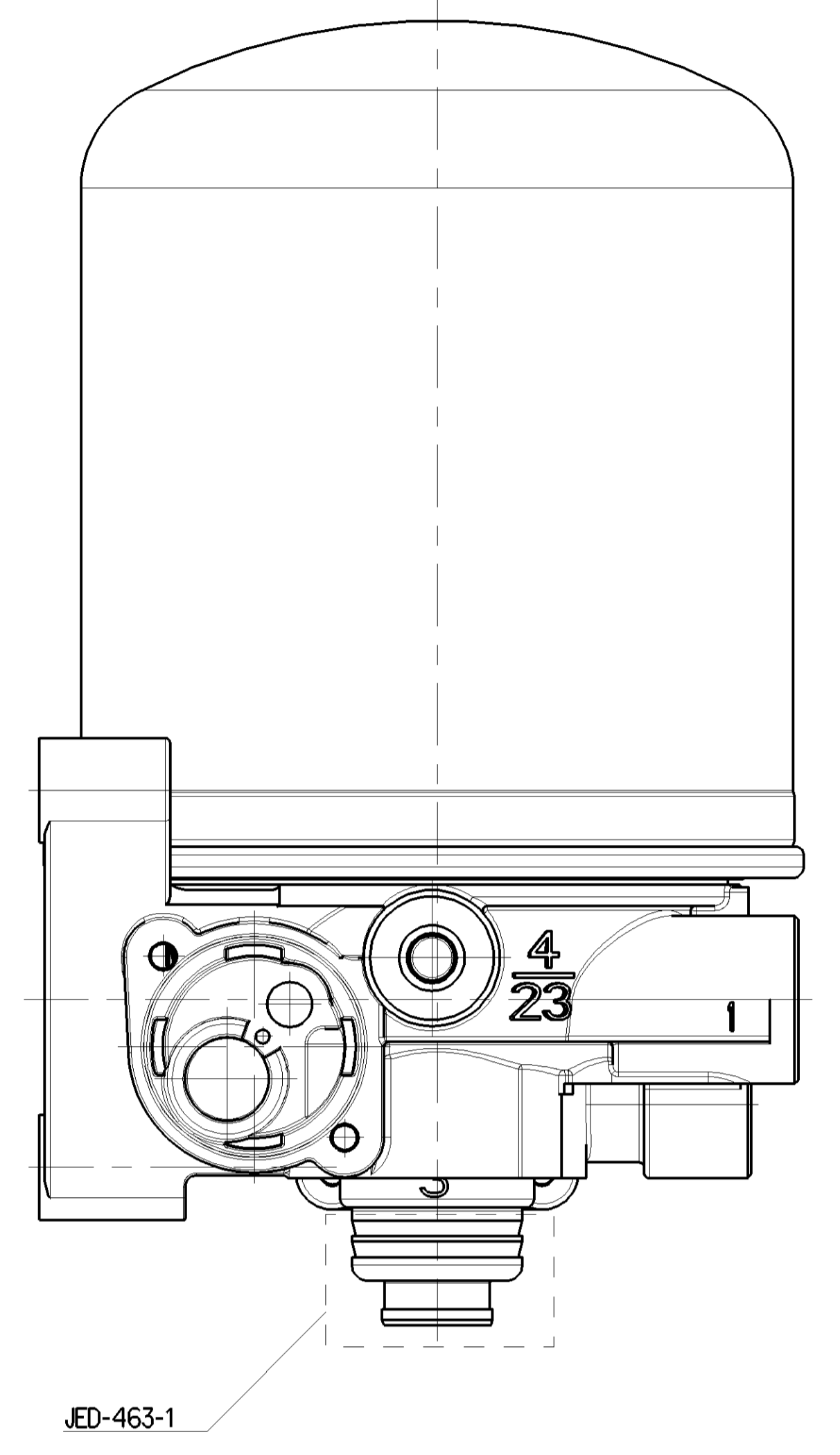
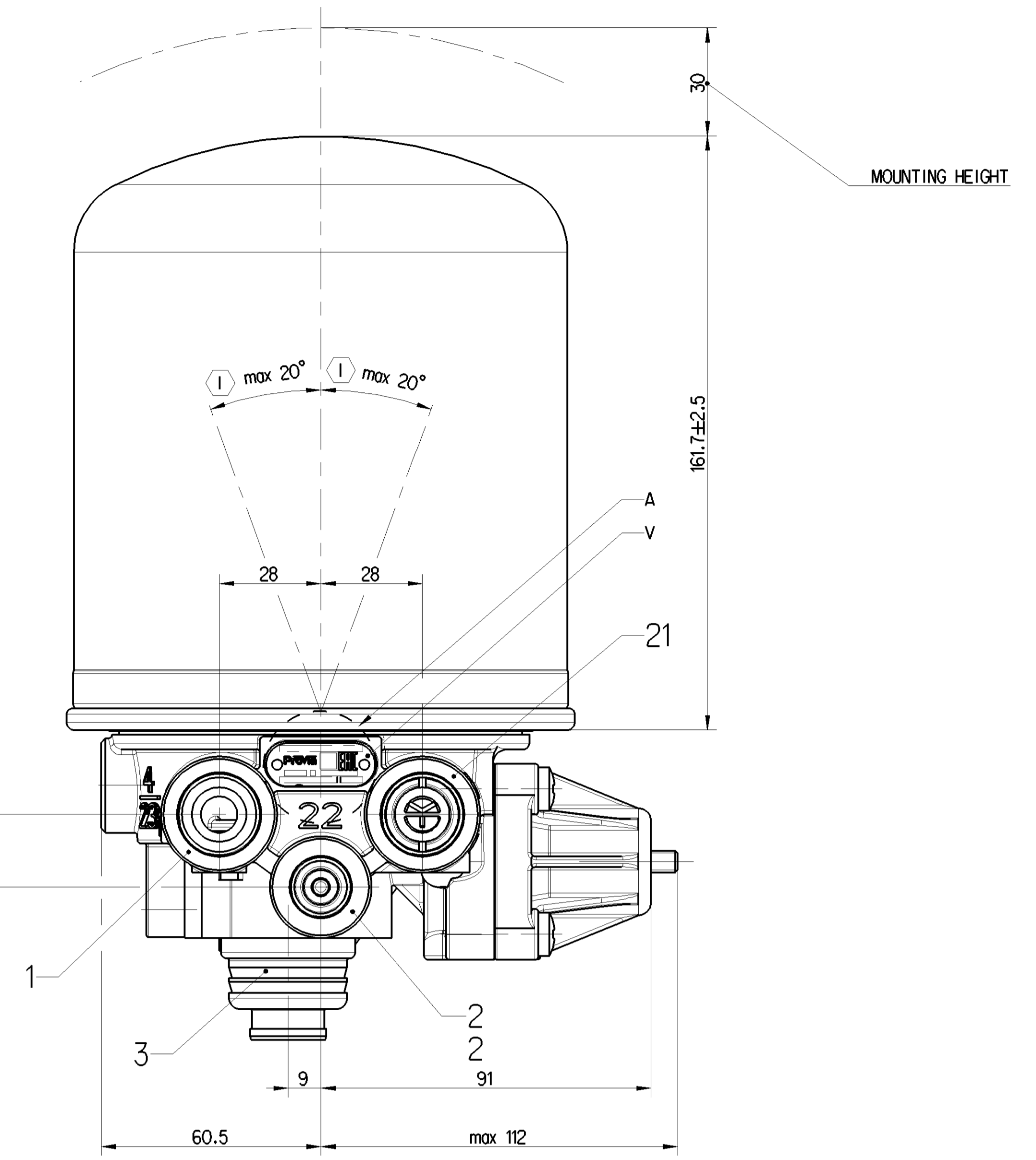
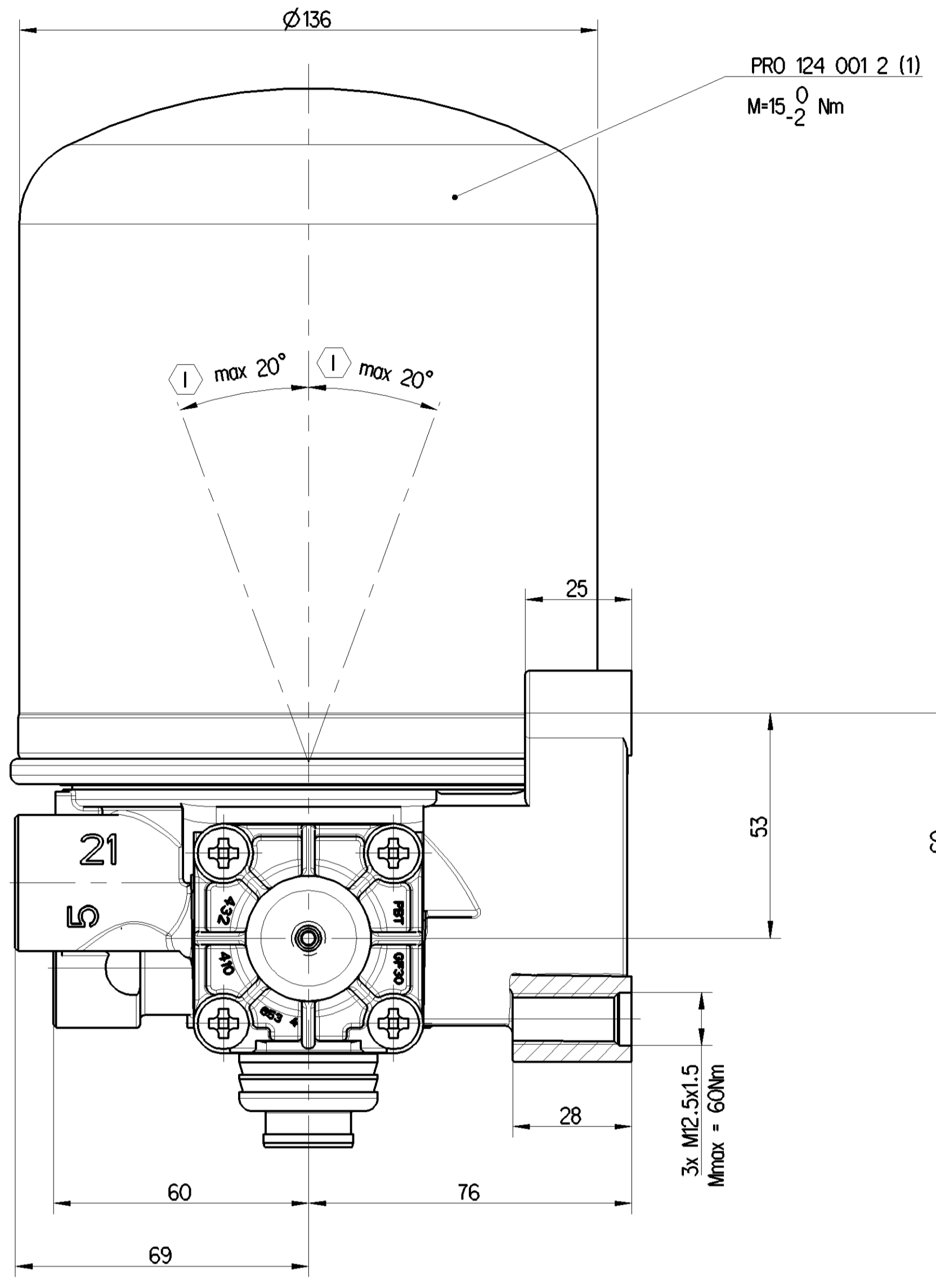
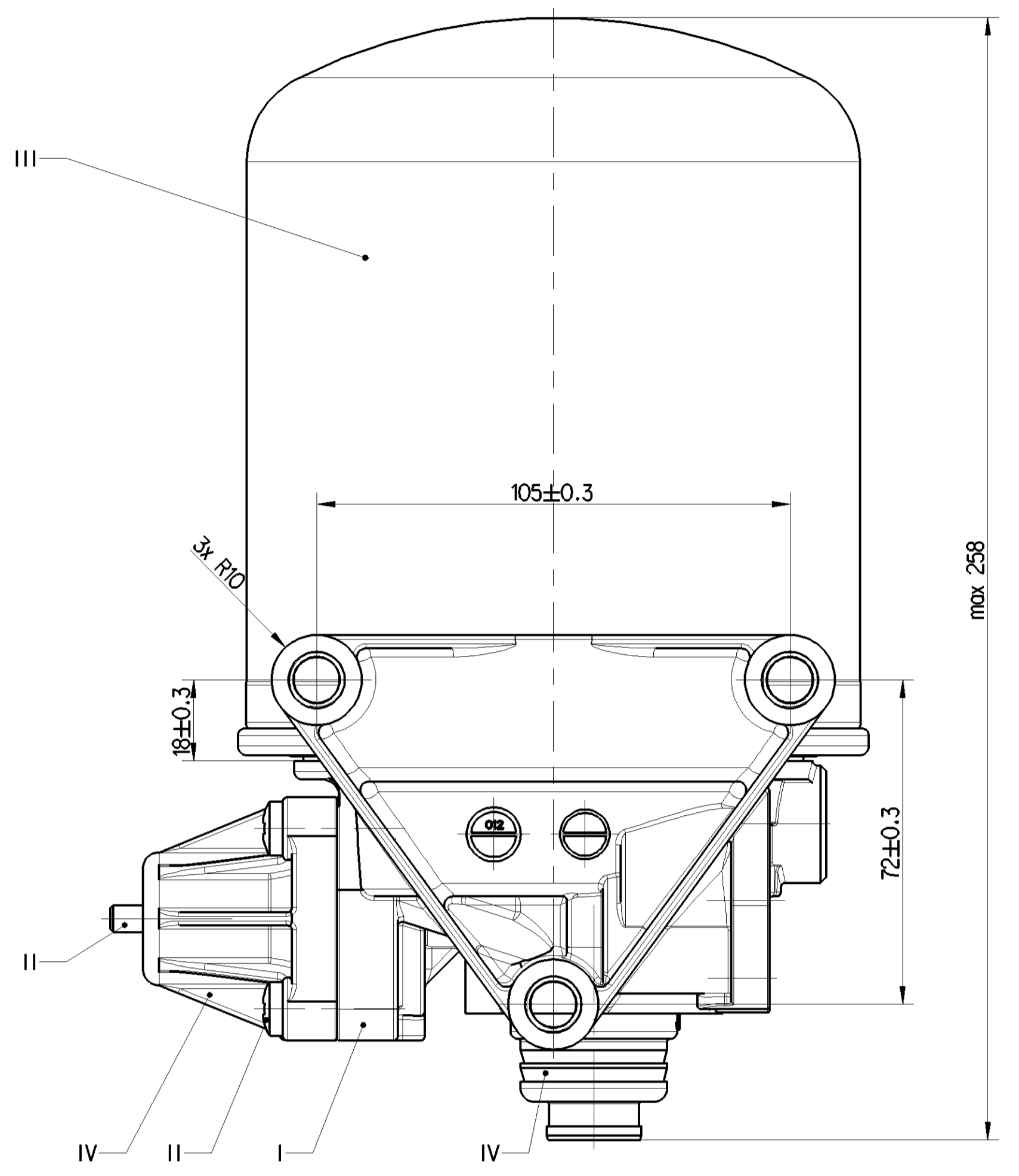


EXTERNAL SURFACE	
I	JED-259-3
II	JED-256-1 OR JED-256-3
III	JED-471-0
IV	PLASTIC/KUNSTSTOFF
V	JED-007-1



PORT	FUNCTION	THREAD
1	FROM THE COMPRESSOR	M22x1.5 JED-388
21	TO THE RESERVOIRS	M22x1.5 JED-388
22	TO THE RESERVOIRS FOR REGENERATED AIR	M16x1.5 JED-388
3	EXHAUST FOR COMPRESSED AIR	-

TECHNICAL DATA:

THERMAL RANGE OF CONTINUOUS APPLICATION: -40°C... +65°C

RESISTANCE TO HEAT: +90°C MAX

MEDIUM: COMPRESSED AIR

WORKING PRESSURE: P_a MAX+13 bar

MAX. PERMISSIBLE FREQUENCY: 50 Hz

MAX. PERMISSIBLE ACCELERATION: ±10x g

COMBINED UNLOADER:

CUT OUT PRESSURE: 12.5±0.3 bar

DYNAMIC PRESSURE OF SAFETY VALVE: 15⁺⁶₀ bar (BEI Vn=100dm³/min.)

OPERATING RANGE: 1.5 ±0.5 bar

TORQUES FOR CONNECTIONS:

M12x1.5: Mmax = 21 Nm
M16x1.5: Mmax = 34 Nm
M22x1.5: Mmax = 53 Nm

① INSTALLATION POSITION AS DRAWN

General Specification: ISO 8434, JED-388-1, Size (S) 14410 LP		Copyright: 2022-07-05		Prövia	
Further Technical Data: Product specification		Date: 2022-07-05		AIR DRYER	
Doc. Code: 035		Sheet: 1 To 4		Revision: 005	
General Tolerances: ISO 2011		2022-07-05		EN 1/1	
Range of Nominal Dimensions (d in mm)		Dimensions in mm		Date of first issue: 2016-09-13	
Class	to	±	0	±	0
Fine	1.60	±0.03	±0.05	±0.1	±0.15
Medium	1.60	±0.05	±0.1	±0.15	±0.2
Coarse	1.60	±0.1	±0.15	±0.2	±0.25
Tapped holes acc.:		A 0		PRO 410 001 0	
Tapped holes acc.:		A 0		2 x G 5/650 AM	