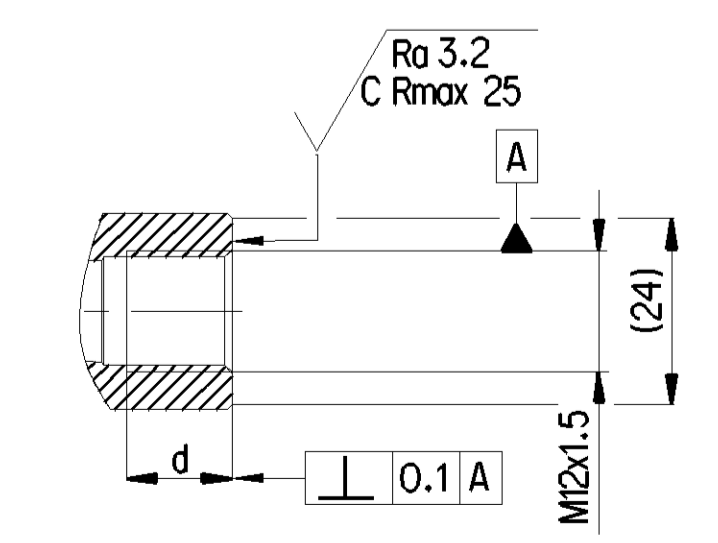
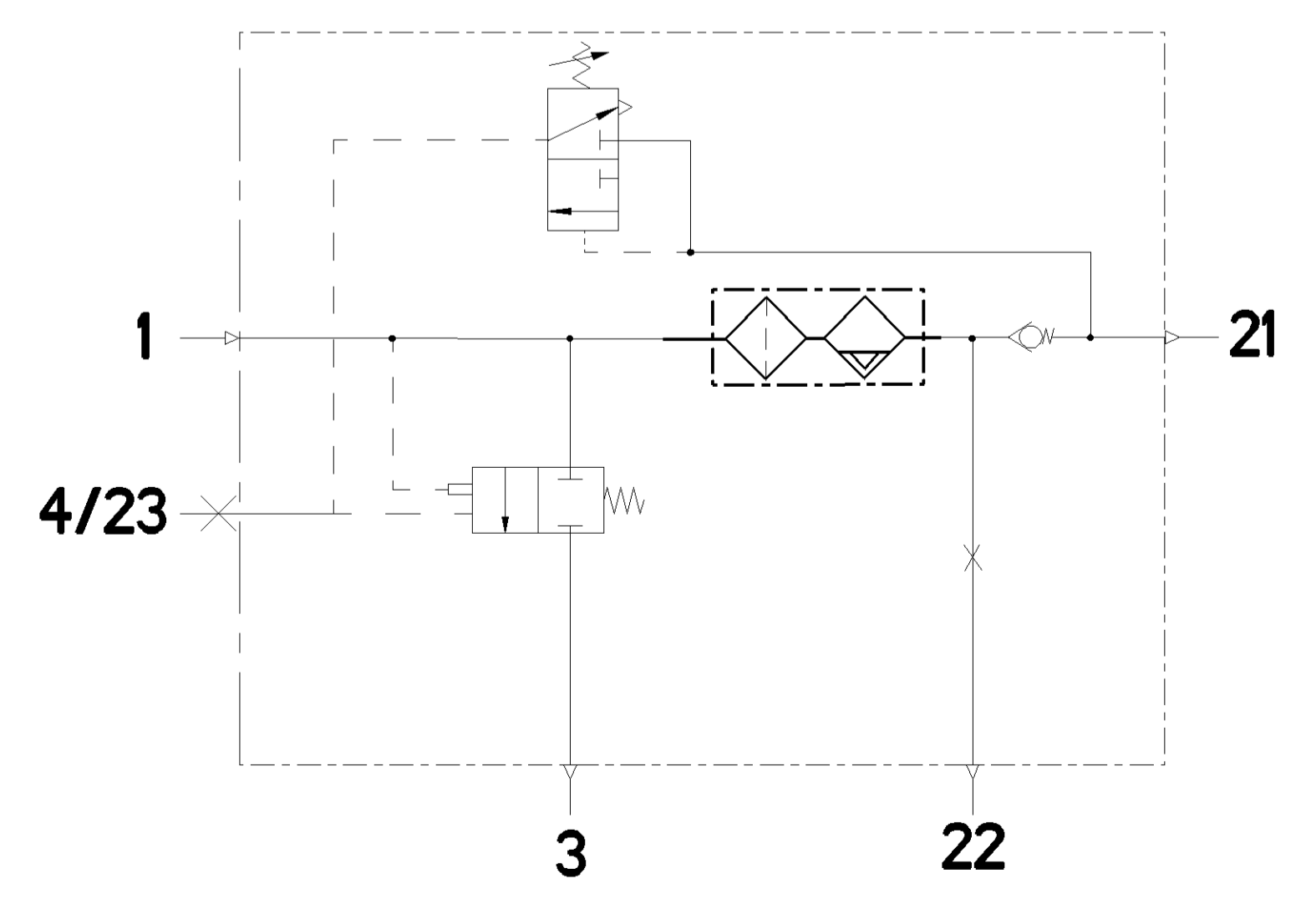
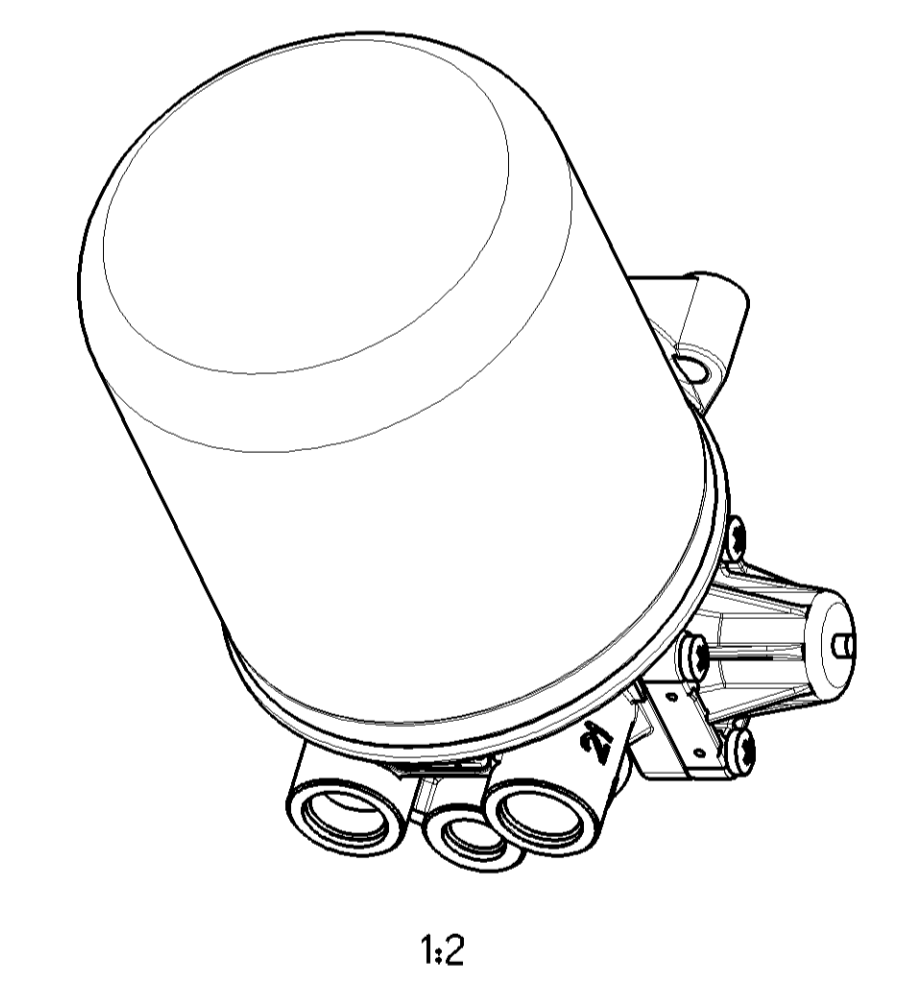
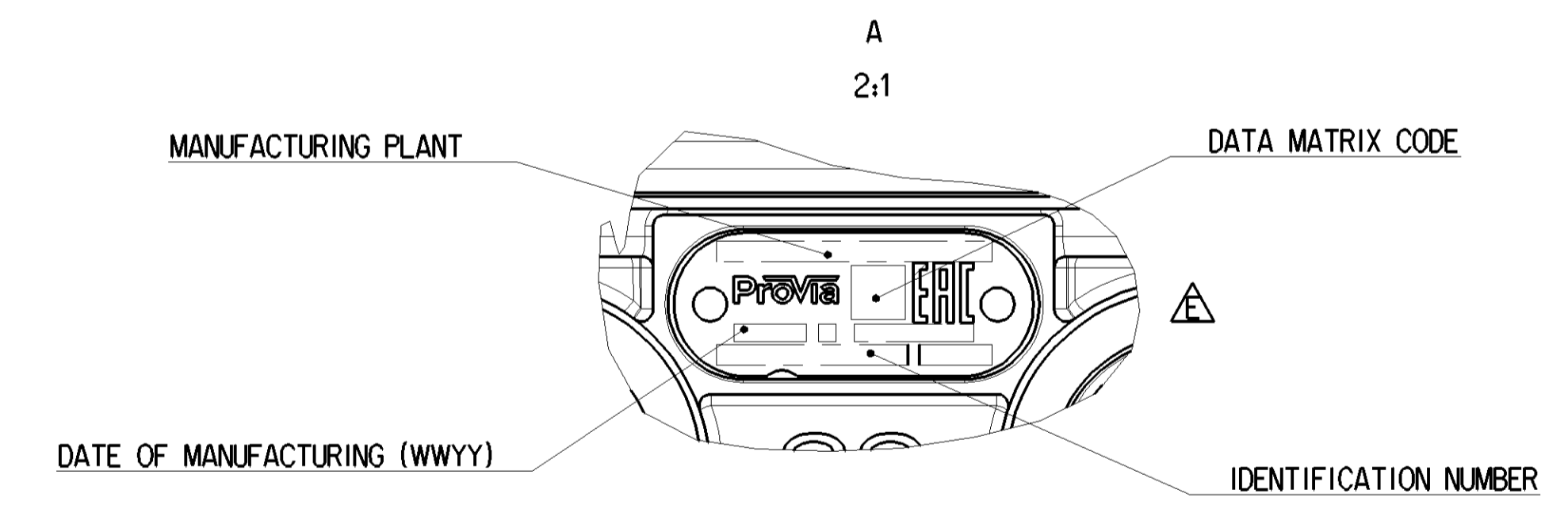
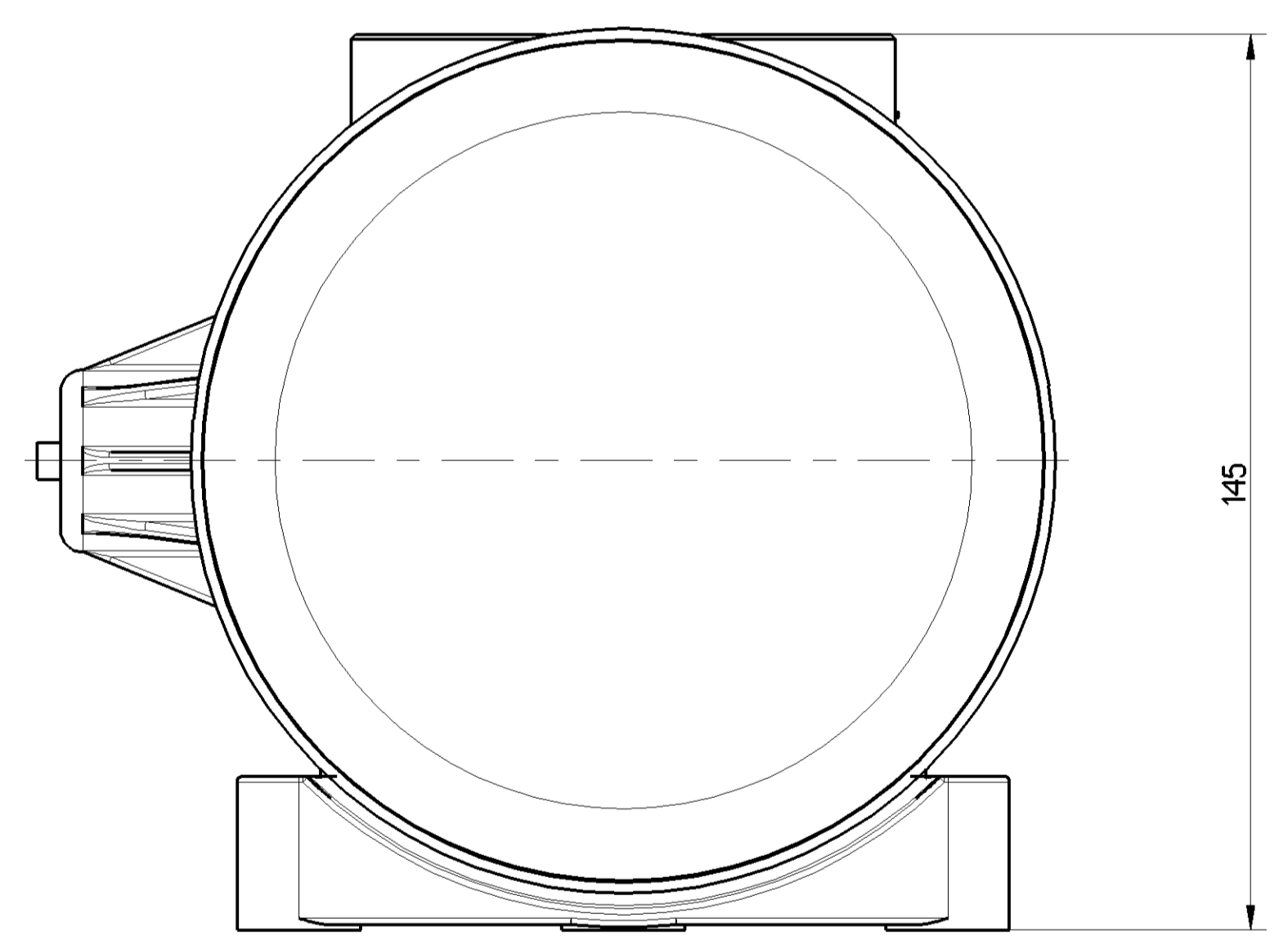
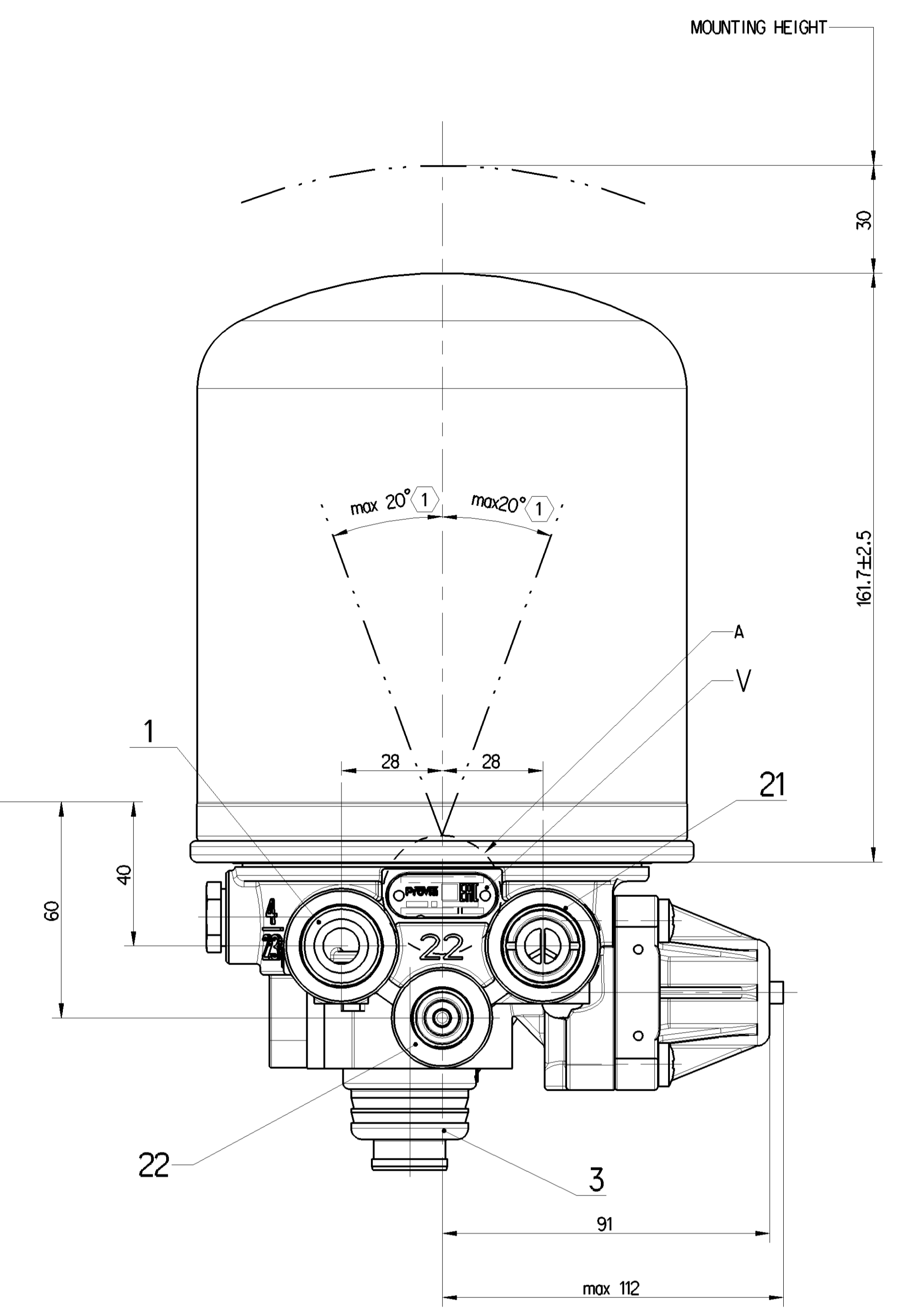
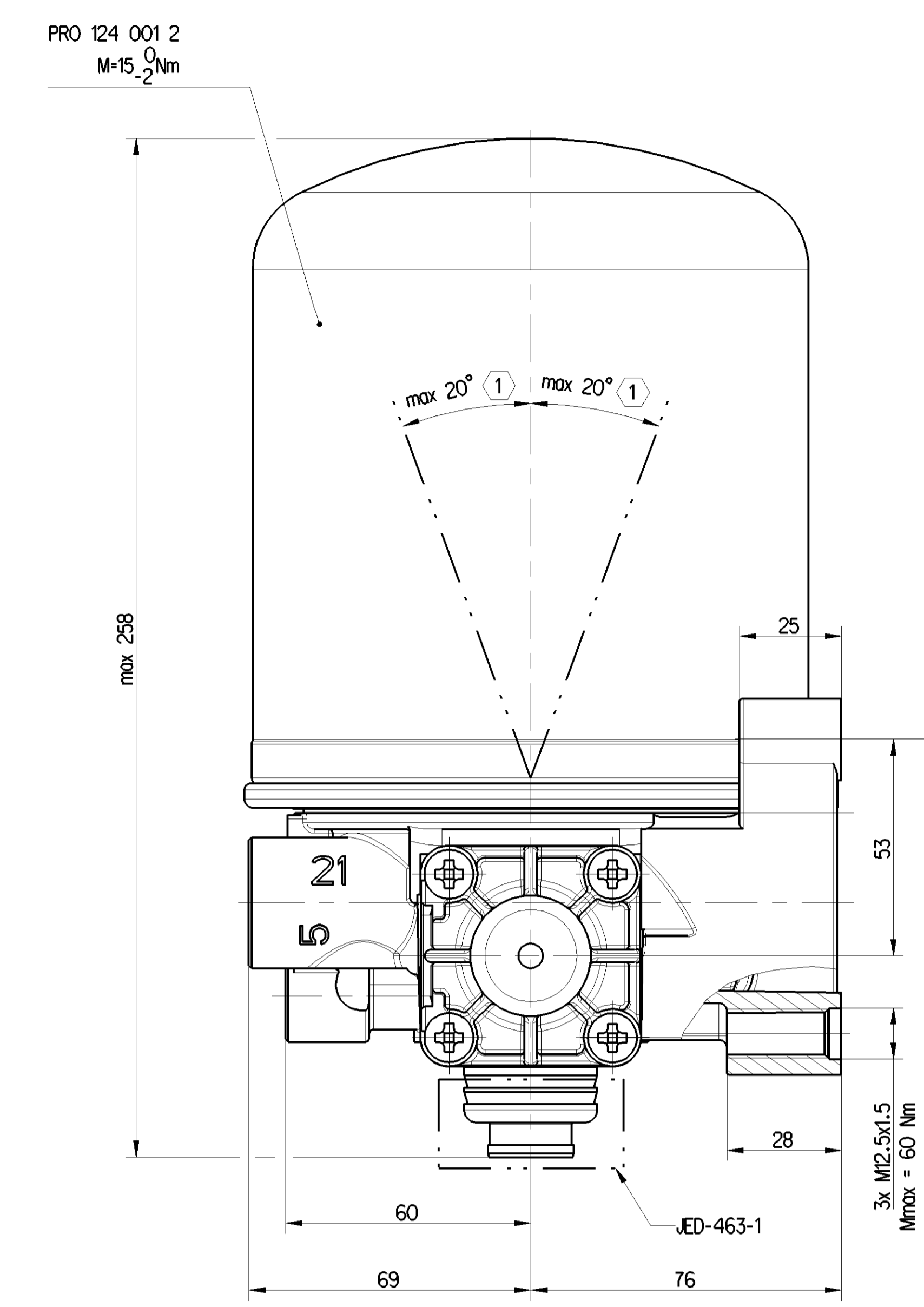
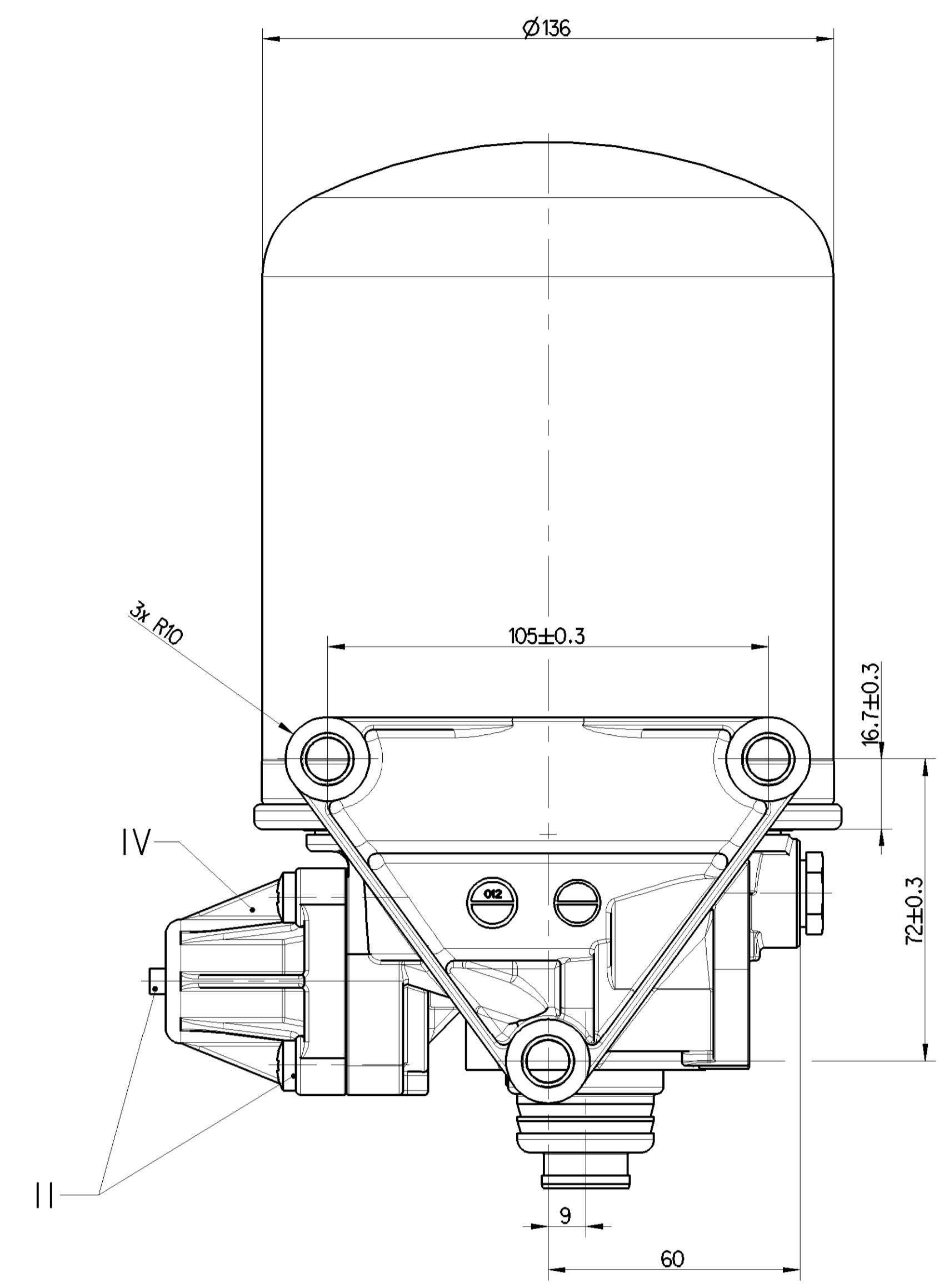
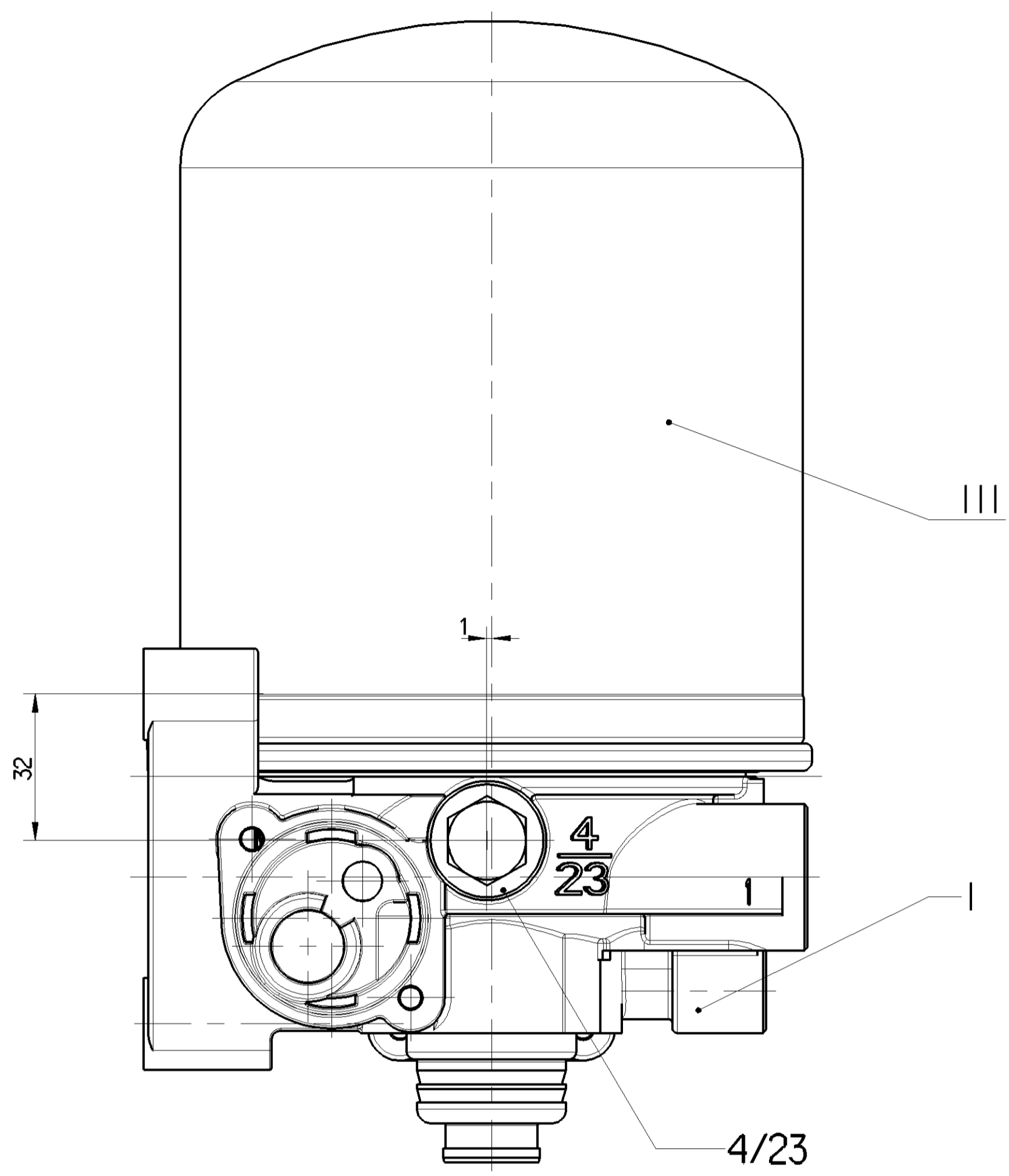


EXTERNAL SURFACE	
I	JED-259-3
II	JED-256-1 OR JED 256-3
III	JED 471-0
IV	PLASTIC/KUNSTSTOFF
V	JED-007-1



PORT	FUNCTION	THREAD
1	FROM THE COMPRESSOR	M22x1.5 JED-388
21	TO THE RESERVOIRS	M22x1.5 JED-388
22	TO THE RESERVOIRS FOR REGENERATED AIR	M16x1.5 JED-388
3	EXHAUST FOR COMPRESSED AIR	-
4/23	TO THE COMPRESSOR (PLUGGED)	M12.5x1.5 d=12

TECHNICAL DATA:

THERMAL RANGE OF CONTINUOUS APPLICATION: -40°C... +65°C

RESISTANCE TO HEAT: +80°C MAX

MEDIUM: COMPRESSED AIR

WORKING PRESSURE: Pe MAX+13 bar

MAX. PERMISSIBLE FREQUENCY: 50 Hz

MAX. PERMISSIBLE ACCELERATION: ±10x g

COMBINED UNLOADER:

CUT OUT PRESSURE: 9.1±0.3 bar

DYNAMIC PRESSURE OF SAFETY VALVE: 15⁺⁶₀ bar (BEI Vn=100dm³/min.)

OPERATING RANGE: 1.3 ±0.4 bar

TORQUES FOR CONNECTIONS: M16x1.5: Mmax + 34 Nm
M22x1.5: Mmax + 53 Nm

1 INSTALLATION POSITION AS DRAWN

General Specification: ISO 8434, JED-388-1, Size 10/14/15 LP		Copyright: 2002-07-05		Prövia	
Further Technical Data: Product specification		Date: 2022-07-05		AIR DRYER	
Doc. Code: 035		Sheet: 1 To 4		Revision: 005	
General Tolerances: ISO 2011		Created: Murzyn		Date of first issue: 2006-09-13	
Range of Nominal Dimensions (d in mm)		Checked: Pawlowski		Doc. Code: 100000	
Class	to	±	50	±	80
	> 80	±	80	±	400
File	to	±	0.05	±	0.1
	> 0.1	±	0.1	±	0.2
Medium	X	±	0.2	±	0.4
Course	to	±	0.5	±	0.5
	> 0.5	±	0.5	±	0.5
Tapped holes acc.:		3.50		1:1 (1:2 2:1)	
Tapped holes acc.:		A 0		PRO 410 002 0	
Tapped holes acc.:		A 0		005 EN 1/1	
Tapped holes acc.:		A 0		2 x E 5050_AW	