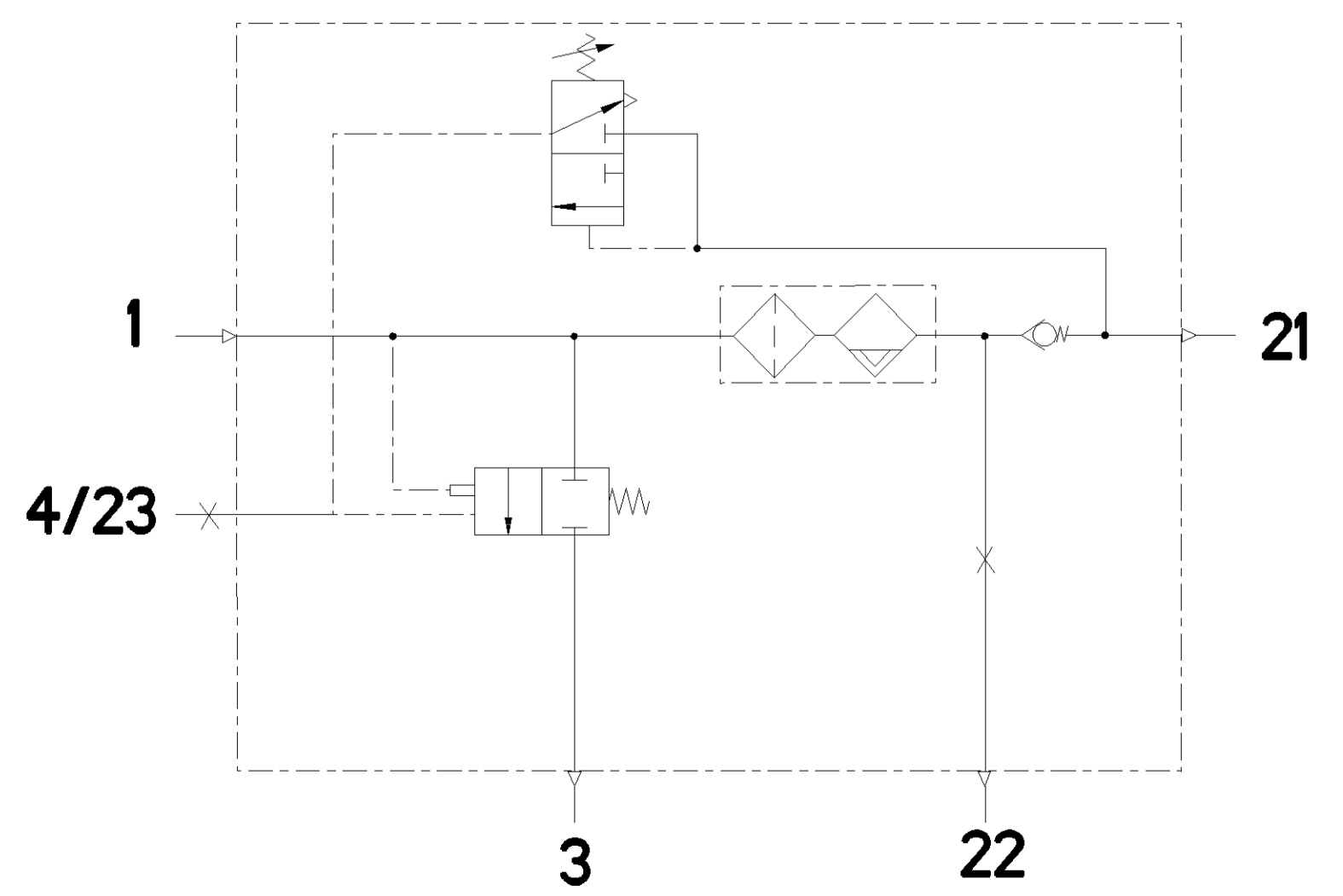
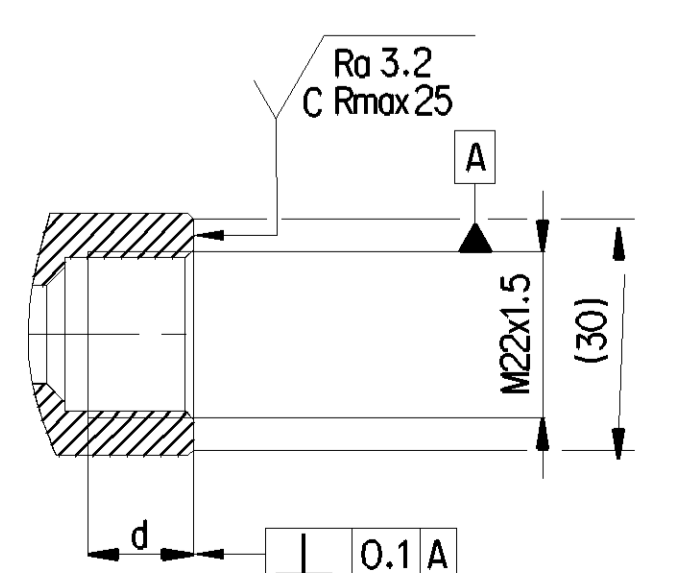
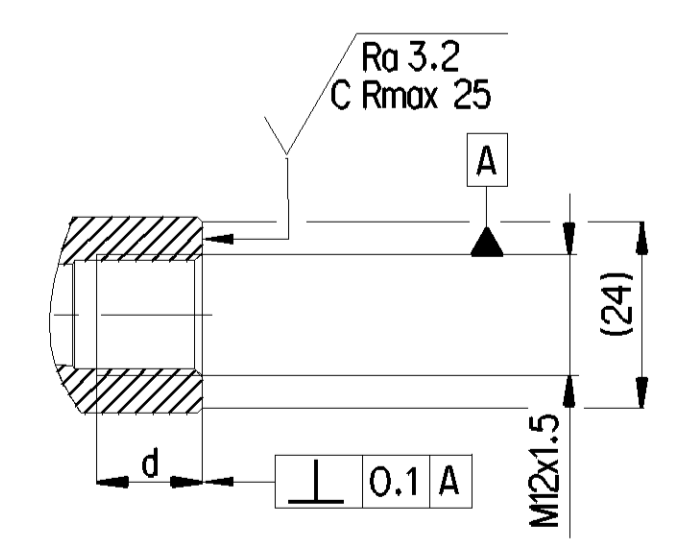
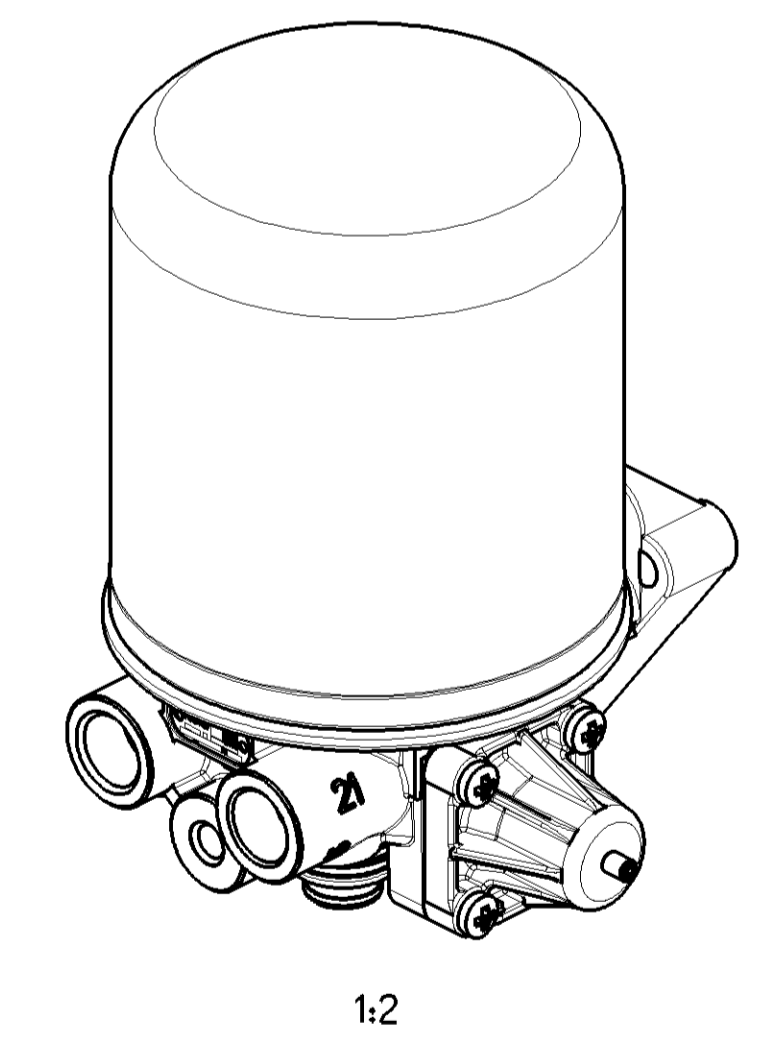
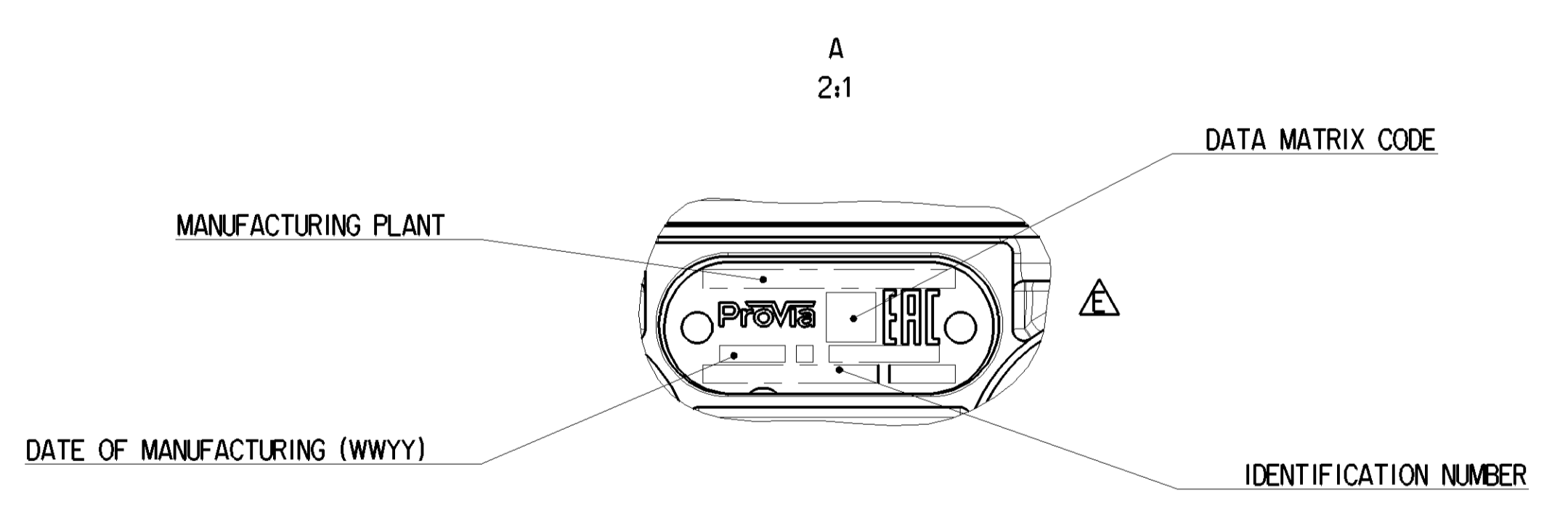
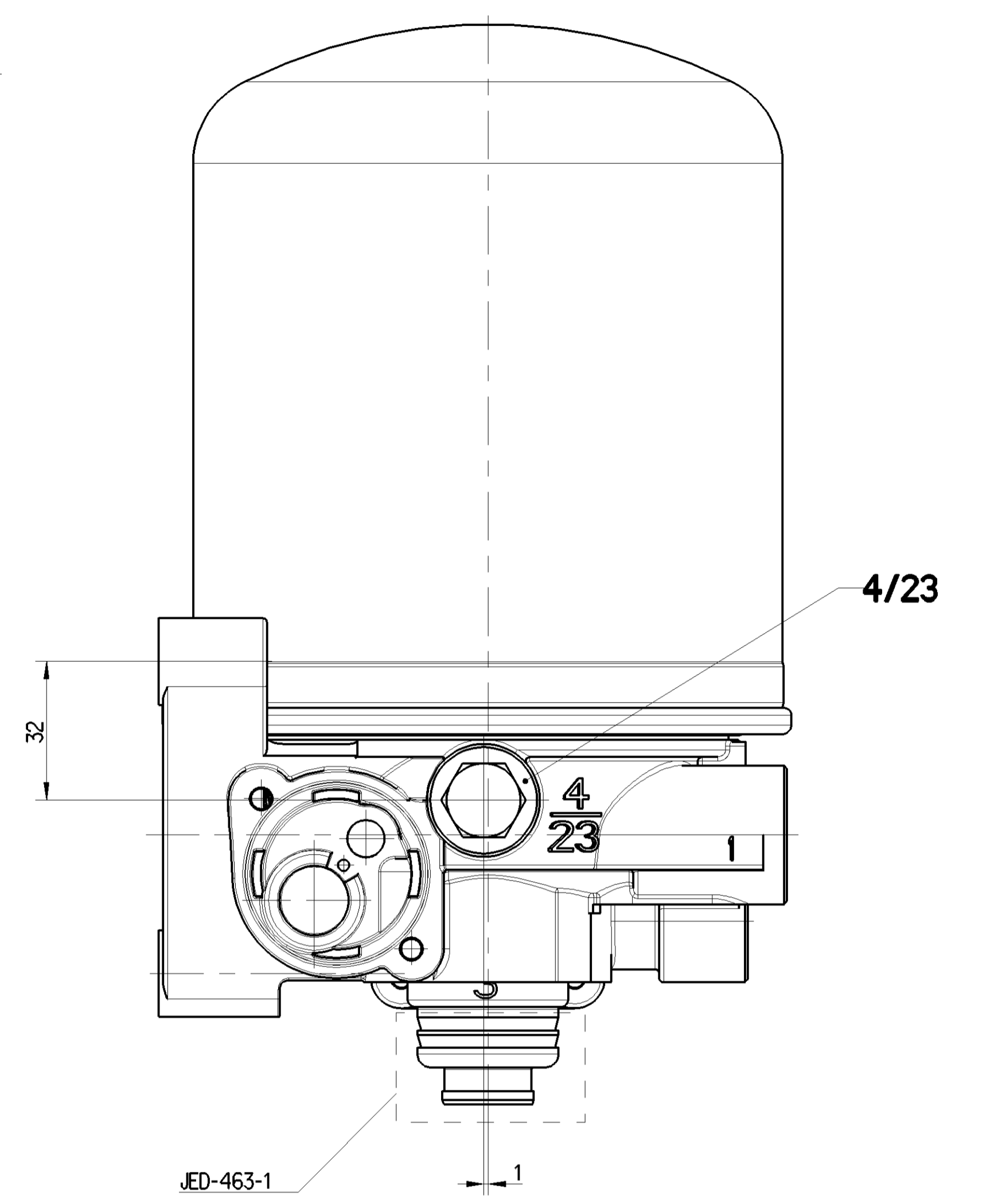
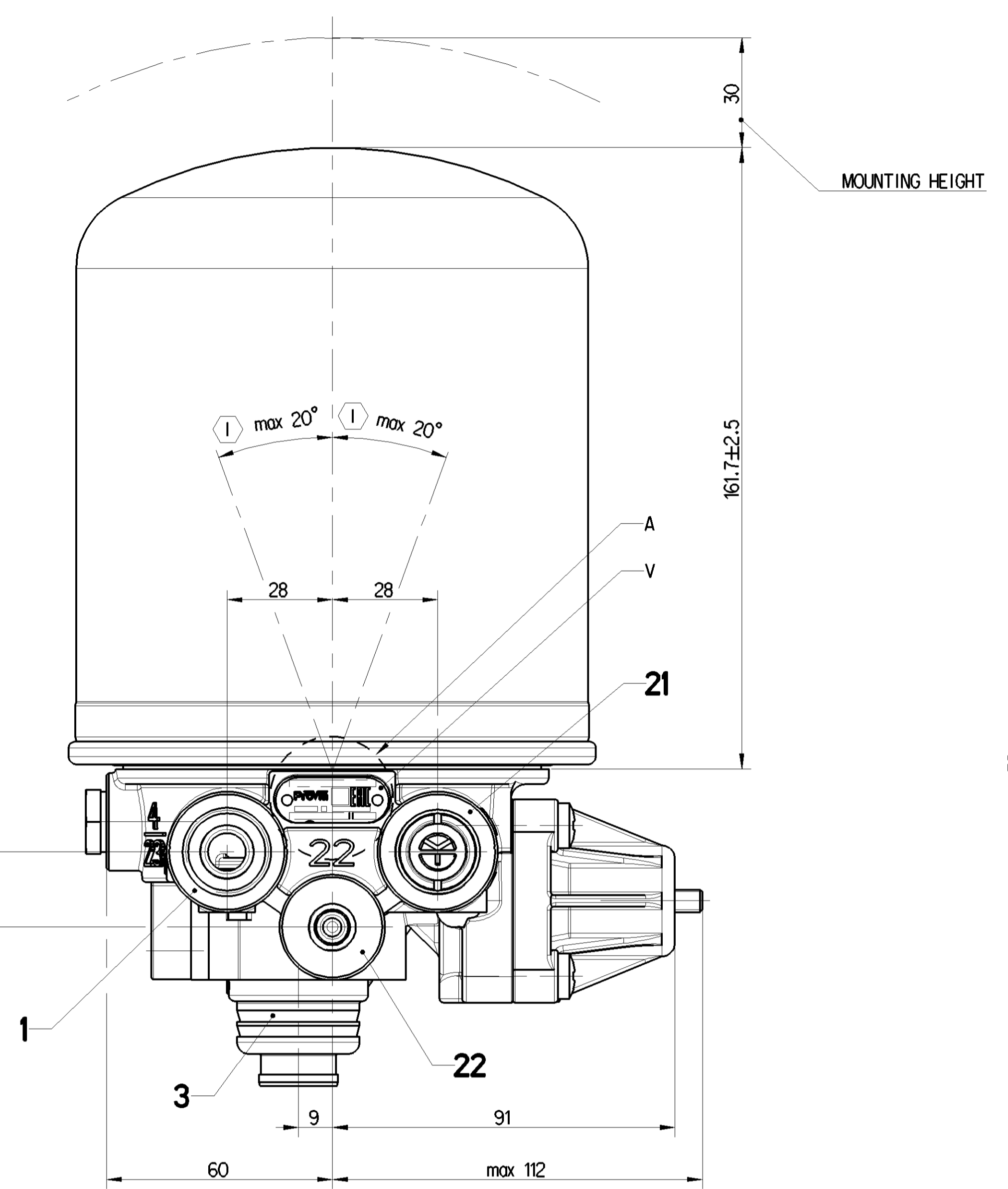
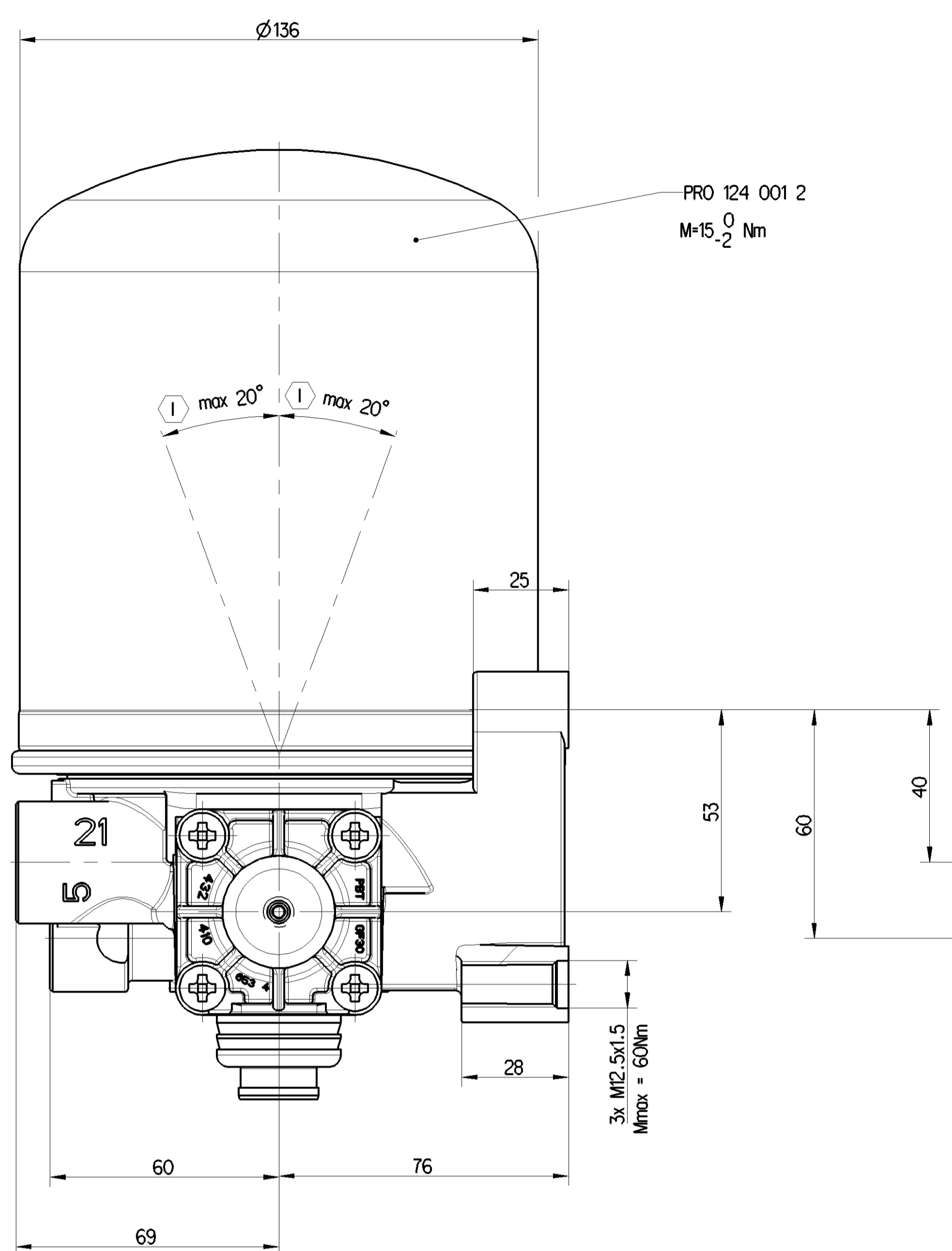
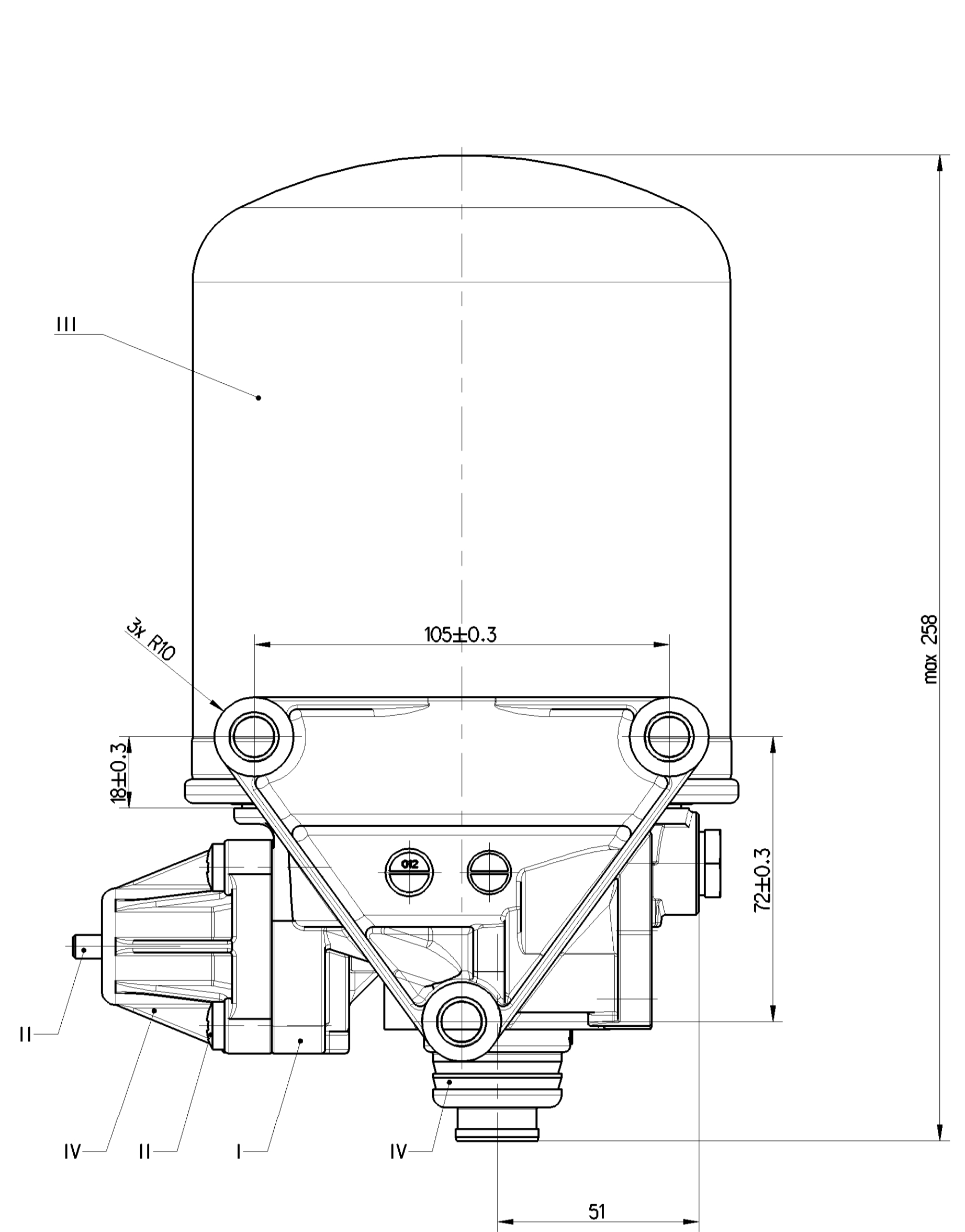


EXTERNAL SURFACE	
I	JED-259-3
II	JED-256-1 OR JED-256-3
III	JED-471-0
IV	PLASTIC/KUNSTSTOFF
V	JED-007-1



PORT	FUNCTION	THREAD
1	FROM THE COMPRESSOR	M22x1.5 JED-388
21	TO THE RESERVOIRS	M22x1.5 JED-388
22	TO THE RESERVOIRS FOR REGENERATED AIR	M12x1.5 JED-388
3	EXHAUST FOR COMPRESSED AIR	-
4/23	TO THE COMPRESSOR (PLUGGED)	M12.5x1.5 d=12

TECHNICAL DATA:

THERMAL RANGE OF CONTINUOUS APPLICATION: -40°C... +65°C

RESISTANCE TO HEAT: +80°C MAX

MEDIUM: COMPRESSED AIR

WORKING PRESSURE: Pe MAX=13 bar

MAX. PREMISSIBLE FREQUENCY: 50 Hz

MAX. PREMISSIBLE ACCELERATION COMBINED UNLOADER: ±10x g

CUT OUT PRESSURE: 8.3±0.3 bar

DYNAMIC PRESSURE OF SAFETY VALVE: 15⁺⁶/₀ bar (BEI Vn=100dm³/min.)

OPERATING RANGE: 1.3 ±0.4 bar

TORQUES FOR CONNECTIONS:

M12x1.5: Mmax = 21 Nm
M16x1.5: Mmax = 34 Nm
M22x1.5: Mmax = 53 Nm

1) INSTALLATION POSITION AS DRAWN

General Specification: ISO 8434, JED-388-1, Size (2) 14410 LP		Copyright: 2007		Prövia	
Further Technical Data: Product Specification		Date:	2022-07-05	Version:	005
Doc. Code: 035	Sheet: 1 To 4	Drawn:	Murzyn	Checked:	Pawlowski
General Tolerances: ISO 2011		Class:	3.50	Scale:	1:1 (1:2, 1:1)
Range of Nominal Dimensions (d in mm)		Material No.:	PRO 410 003 0	Date of first issue:	2016-09-13
Class:	1: 50 ± 0.05, 2: 80 ± 0.05, 3: 100 ± 0.05, 4: 125 ± 0.05, 5: 160 ± 0.05, 6: 200 ± 0.05, 7: 250 ± 0.05, 8: 315 ± 0.05, 9: 400 ± 0.05, 10: 500 ± 0.05, 11: 630 ± 0.05, 12: 800 ± 0.05, 13: 1000 ± 0.05	Doc. Code: Language:	005	EN	1/1
Medium:	X: ±0.1, ±0.2, ±0.3, ±0.4, ±0.5, ±0.6, ±0.7, ±0.8, ±0.9, ±1.0, ±1.2, ±1.5, ±2.0, ±2.5, ±3.0, ±4.0, ±5.0, ±6.0, ±8.0, ±10.0, ±12.5, ±16.0, ±20.0, ±25.0, ±31.5, ±40.0, ±50.0, ±63.0, ±80.0, ±100.0, ±125.0, ±160.0, ±200.0, ±250.0, ±315.0, ±400.0, ±500.0, ±630.0, ±800.0, ±1000.0	Revision:	2 x	E	5050_JAM
Course:	±0.1, ±0.2, ±0.3, ±0.4, ±0.5, ±0.6, ±0.7, ±0.8, ±0.9, ±1.0, ±1.2, ±1.5, ±2.0, ±2.5, ±3.0, ±4.0, ±5.0, ±6.0, ±8.0, ±10.0, ±12.5, ±16.0, ±20.0, ±25.0, ±31.5, ±40.0, ±50.0, ±63.0, ±80.0, ±100.0, ±125.0, ±160.0, ±200.0, ±250.0, ±315.0, ±400.0, ±500.0, ±630.0, ±800.0, ±1000.0	Replacement for:			
Tapped holes acc.:		Prövia			
1) Tolerance class: Appart. Chromatmet		SIXERIO			