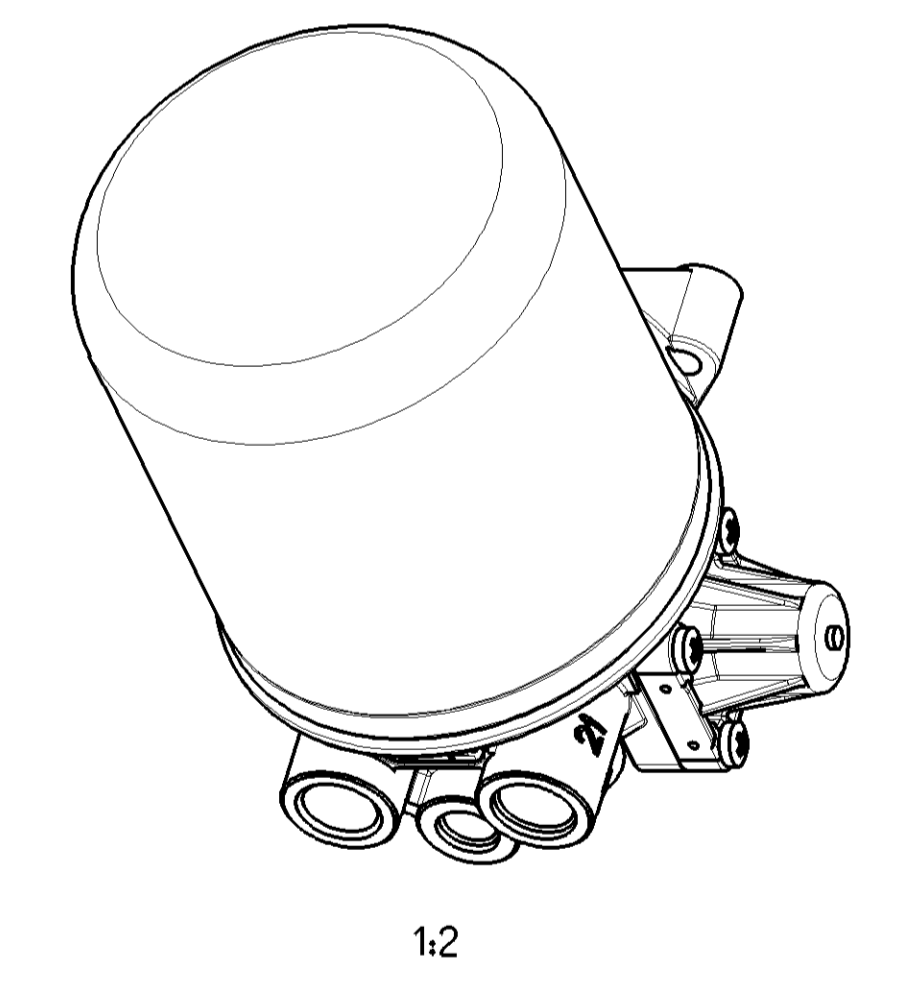
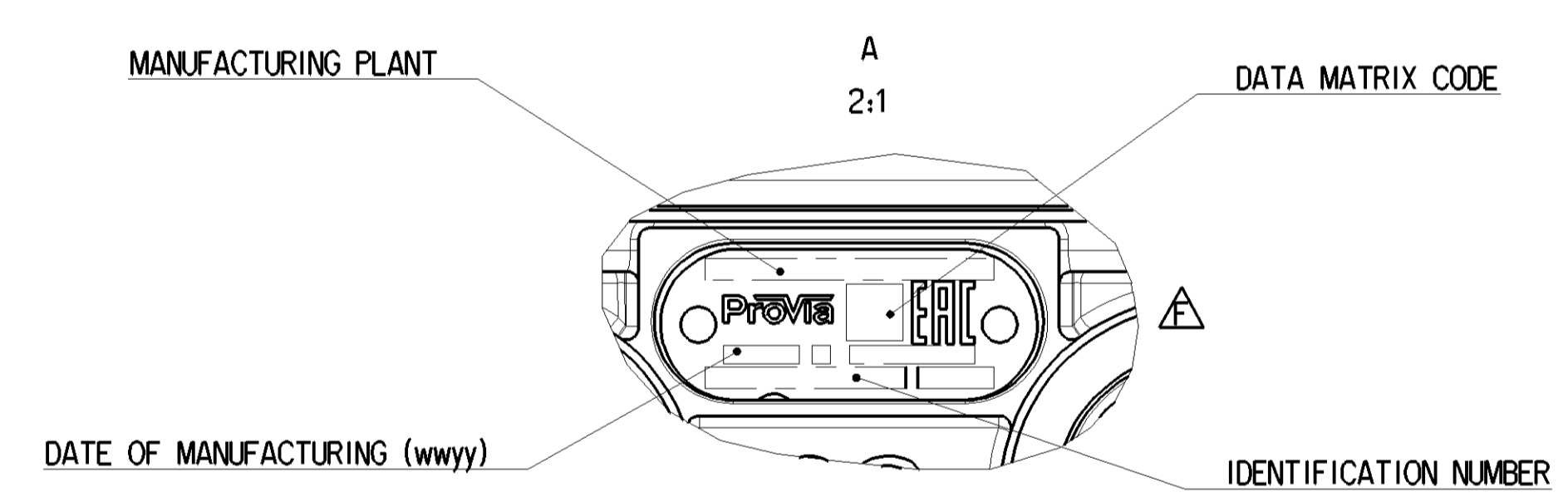
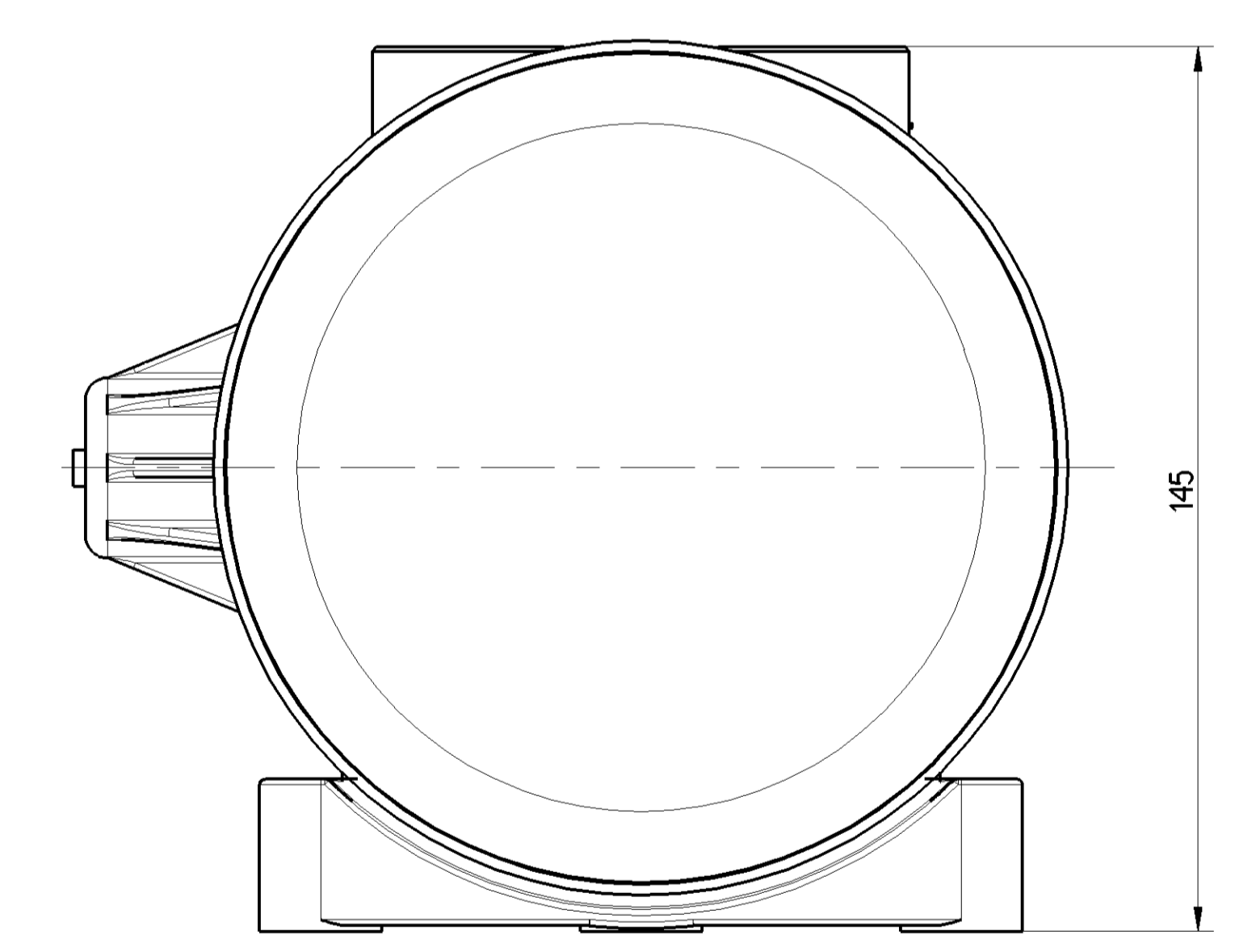
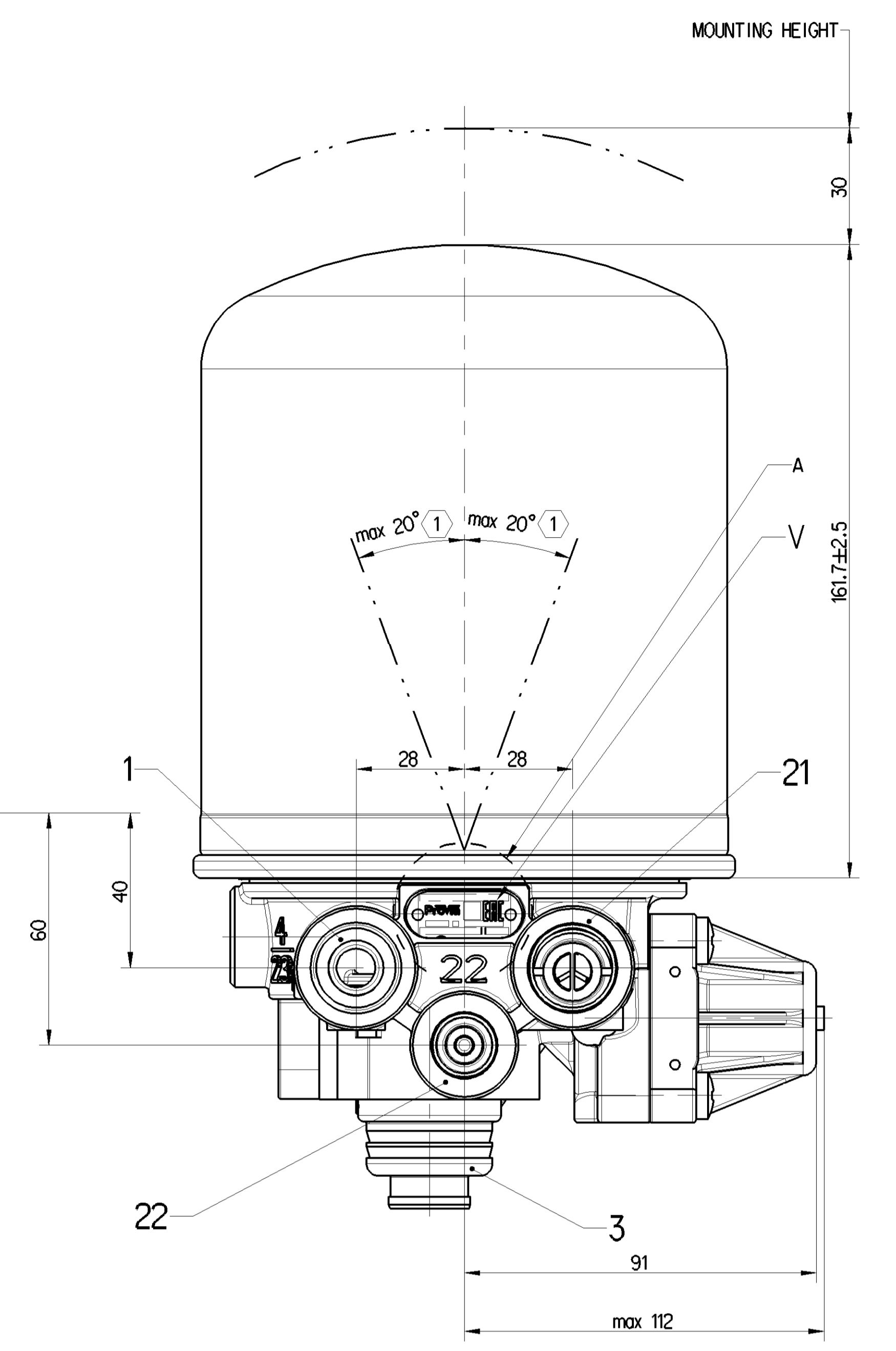
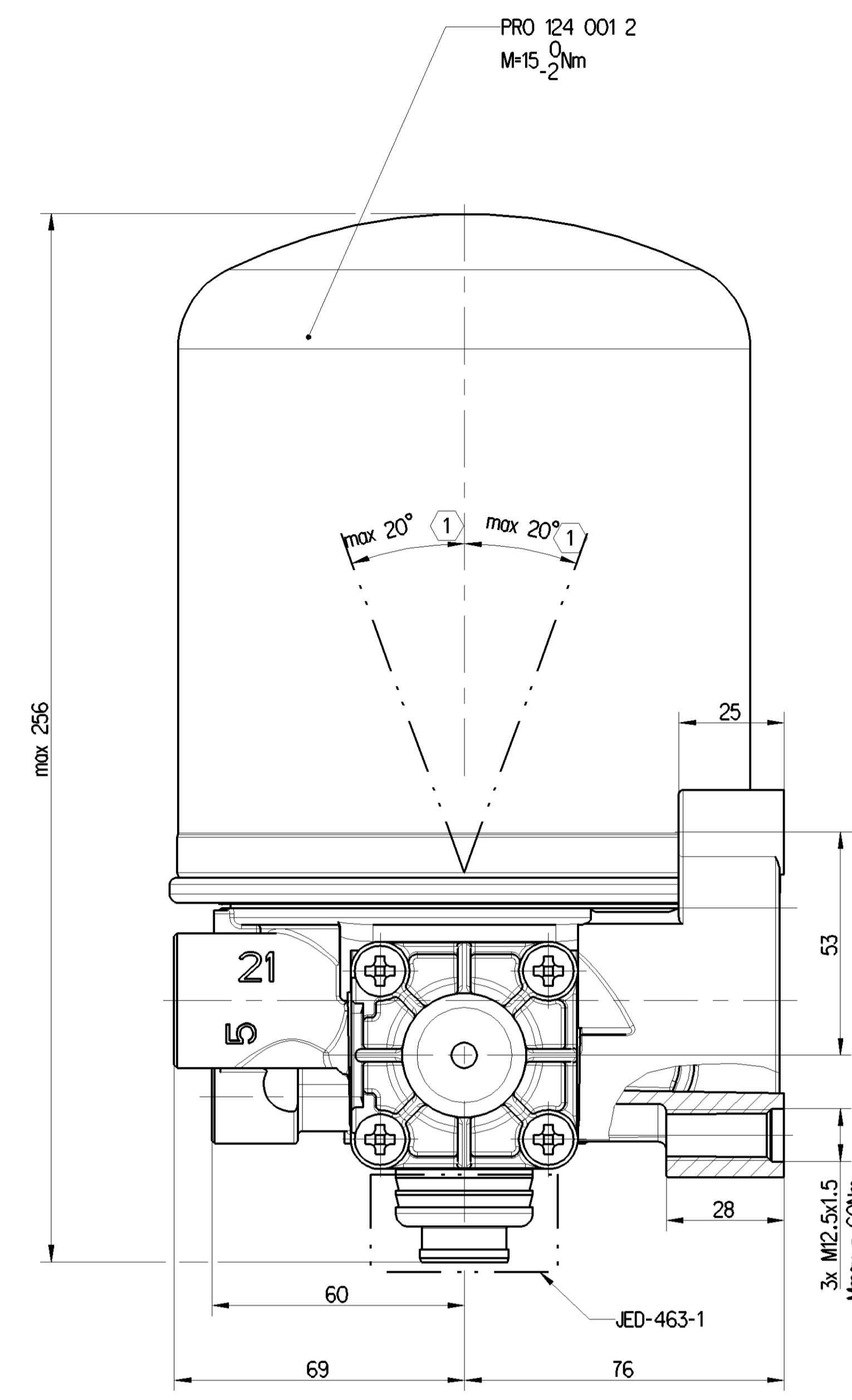
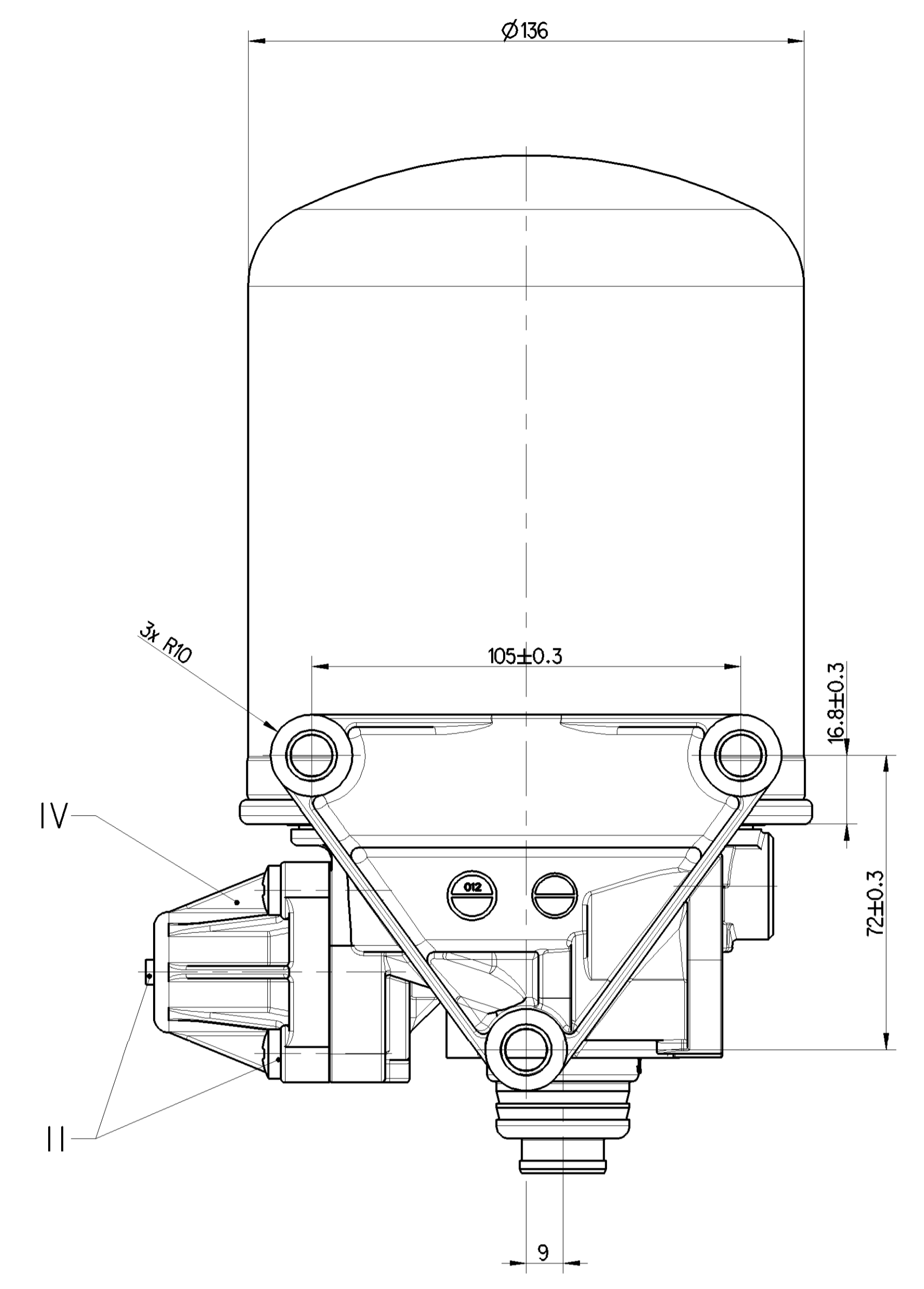
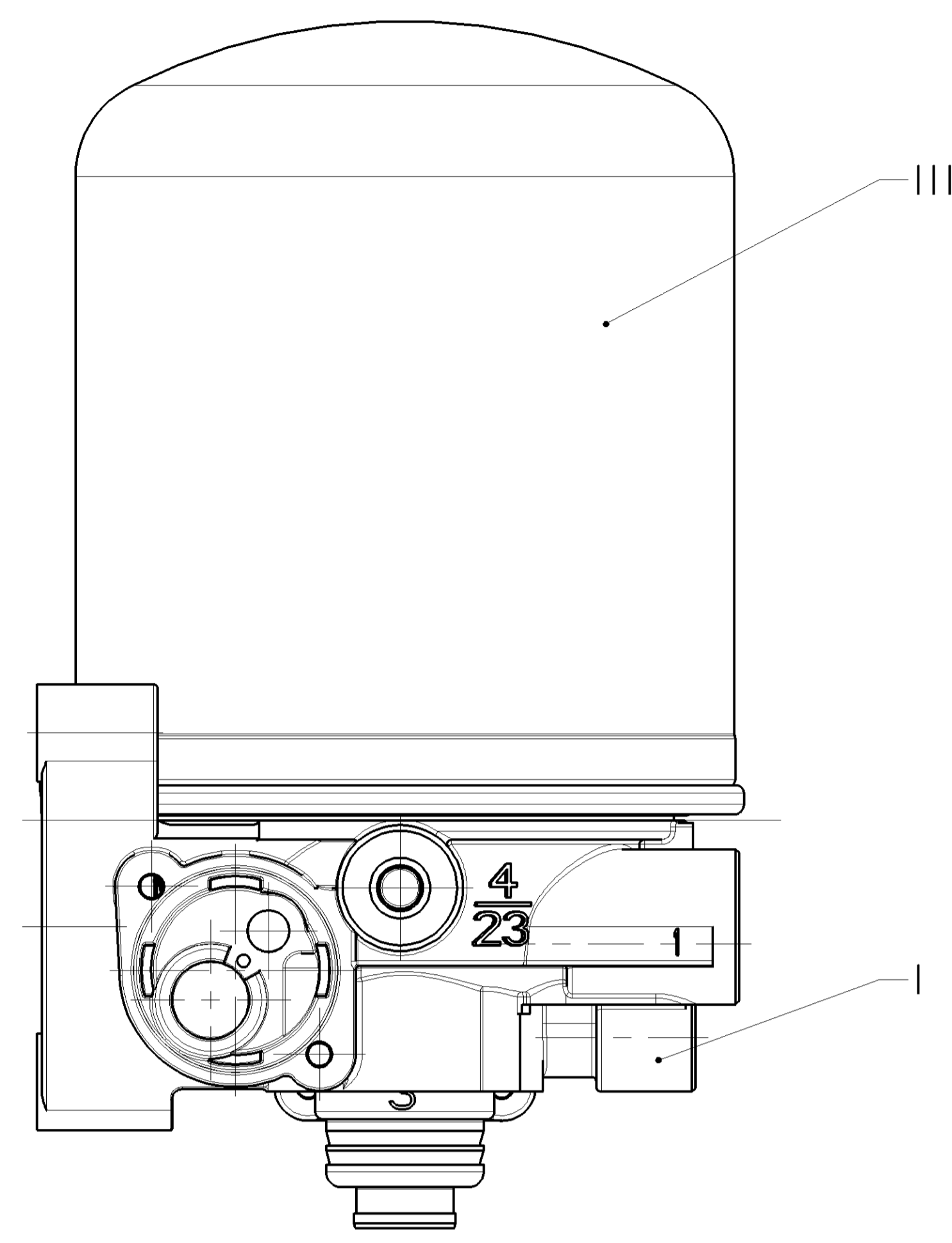
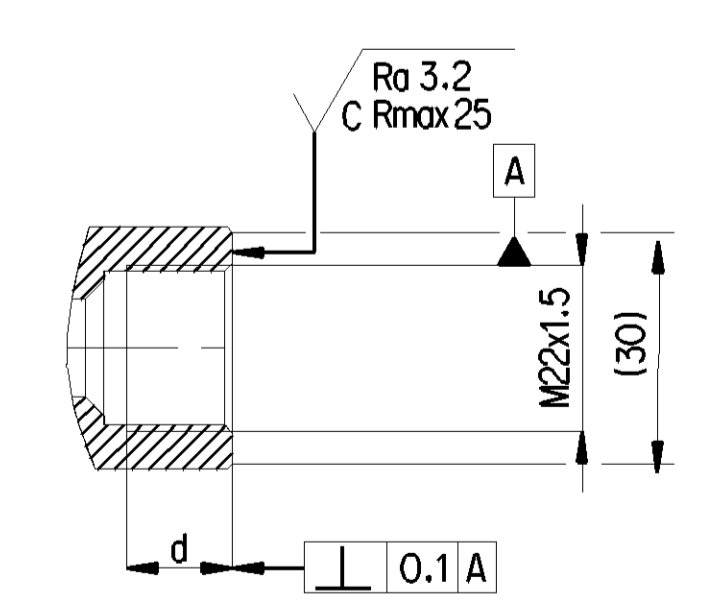
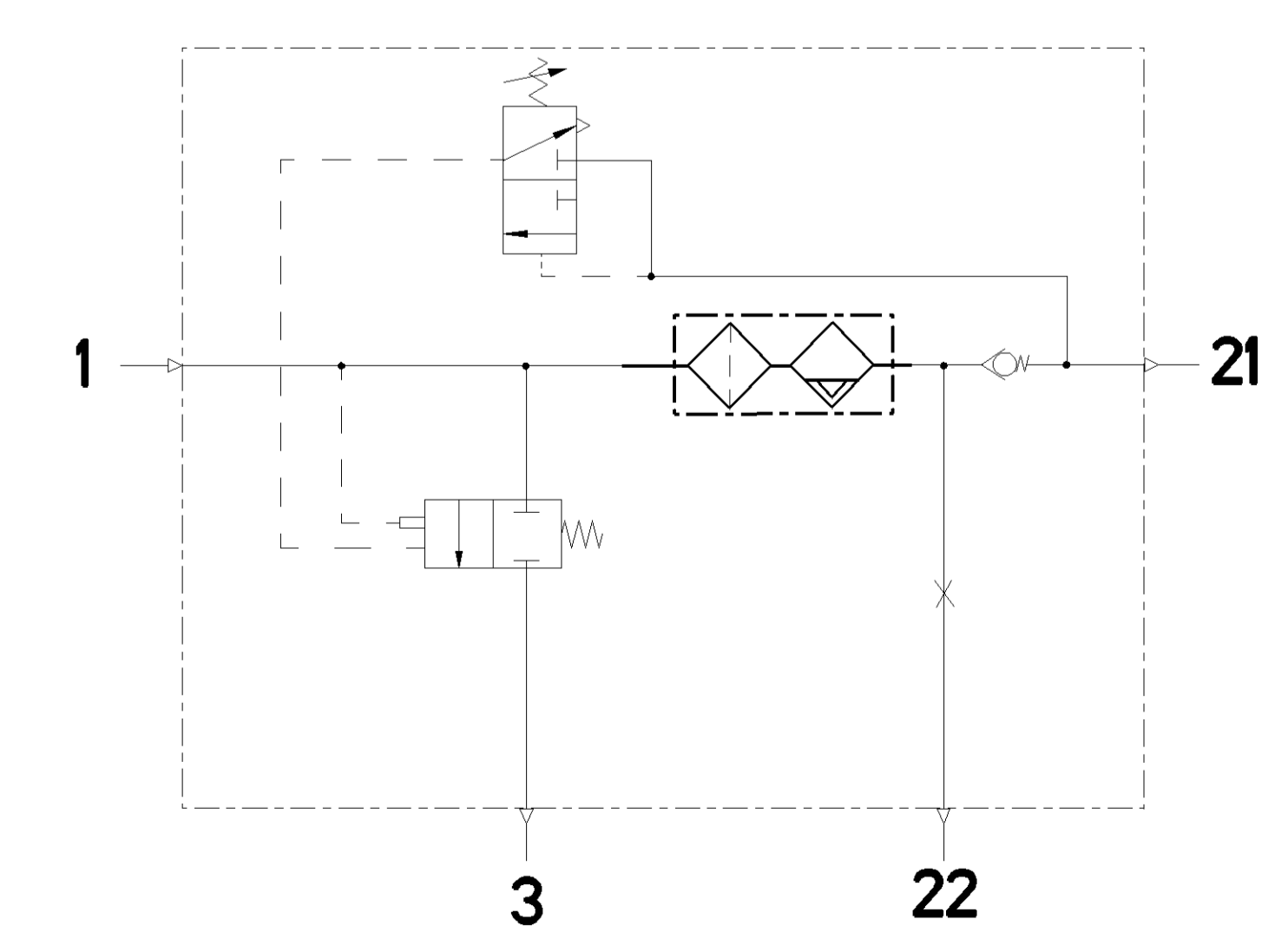


EXTERNAL SURFACE	
I	JED-259-3
II	JED-256-1 OR JED-256-3
III	JED-471-0
IV	PLASTIC
V	JED-007-1



TECHNICAL DATA

THERMAL RANGE OF CONTINUOUS APPLICATION:	-40°C... +65°C
RESISTANCE TO HEAT:	+80°C MAX
MEDIUM:	COMPRESSED AIR
WORKING PRESSURE:	P _e MAX=13 bar
MAX. PREMISSIBLE FREQUENCY:	50 Hz
MAX. PREMISSIBLE ACCELERATION:	±10x g
COMBINED UNLOADER:	
CUT OUT PRESSURE:	12.5±0.3 bar
OPERATING RANGE:	1.5±0.5 bar
DYNAMIC PRESSURE OF SAFETY VALVE:	15 ⁶ bar (BEI Vn=100dm ³ /min.)
TORQUES FOR CONNECTIONS:	M16x1.5: Mmax = 34 Nm M22x1.5: Mmax = 53 Nm



PORT	FUNCTION	THREAD
1	FROM THE COMPRESSOR	M22x1.5 d=15
21	TO THE RESERVOIRS	M22x1.5 d=15
22	TO THE RESERVOIRS FOR REGENERATED AIR	M16x1.5 JED-388
3	EXHAUST FOR COMPRESSED AIR	-

General Specification: ISO 8435, JED-334-1, Size ISO 14400 LP

Copyright: 2022-07-05

Doc. Code: 030

Further Technical Data: Product Specification

Code: 005

Version: 1

From: 2022-07-05

To: 2022-07-05

Author: Murzyn

Checked: Pawlowski

Company: ProVia

Product: AIR DRYER

Model No.: PRO 410 004 0

Date of first issue: 2016-06-13

Doc. Code: 005

Language: EN

Scale: 1:1

Sheet: 1/1

Revision: 005

Drawn by: 5050_AJ

Approved for: 5050_AJ

1) INSTALLATION POSITION AS DRAWN