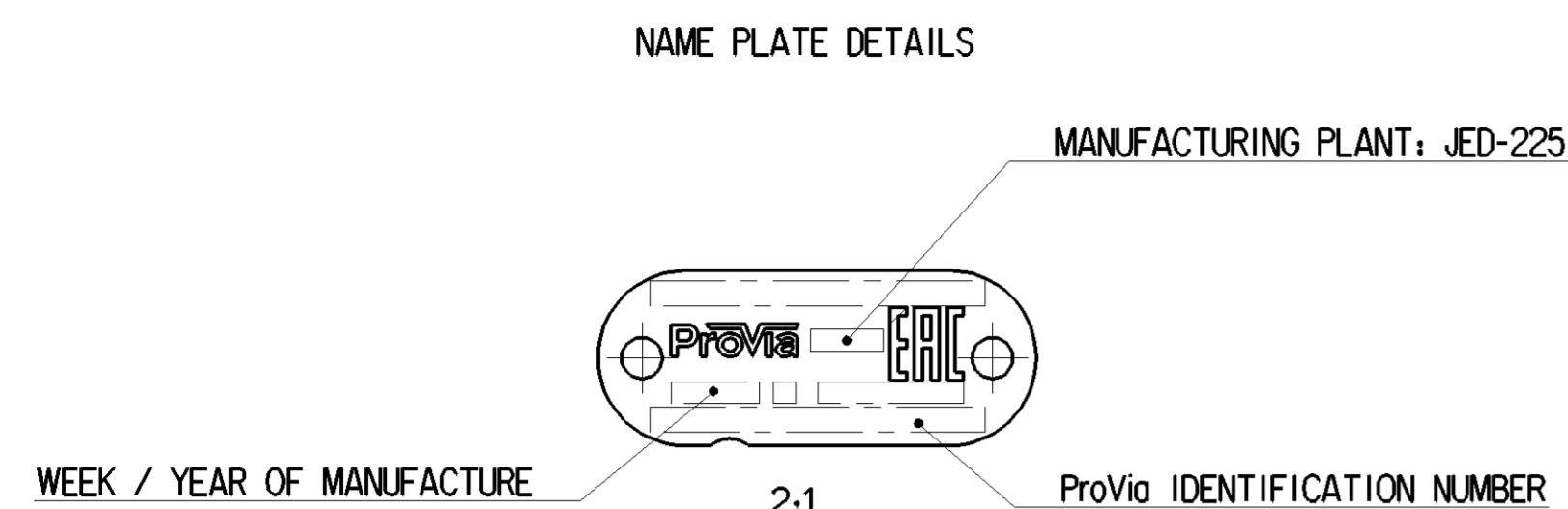
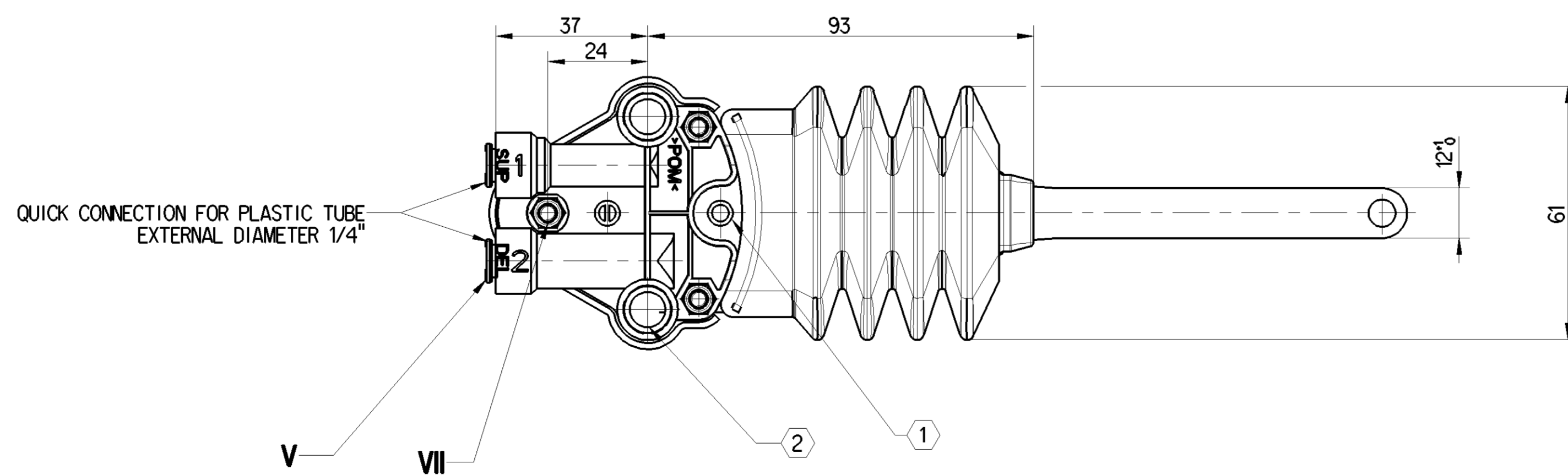
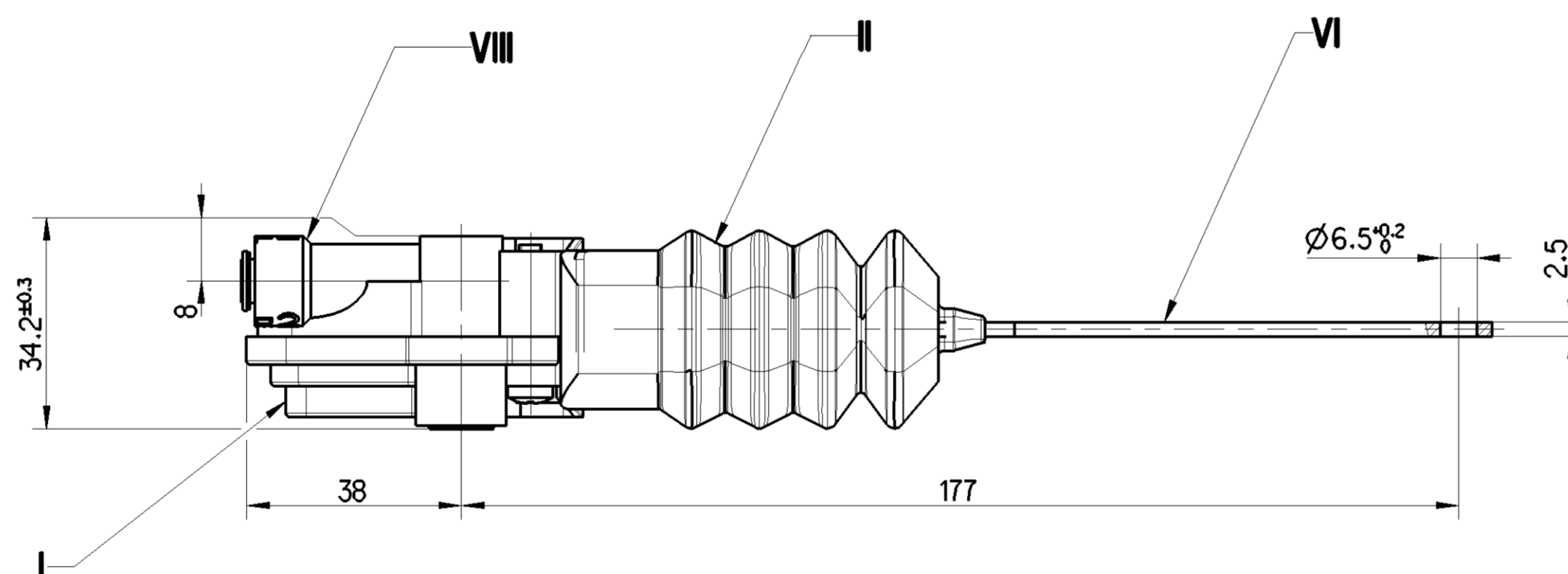
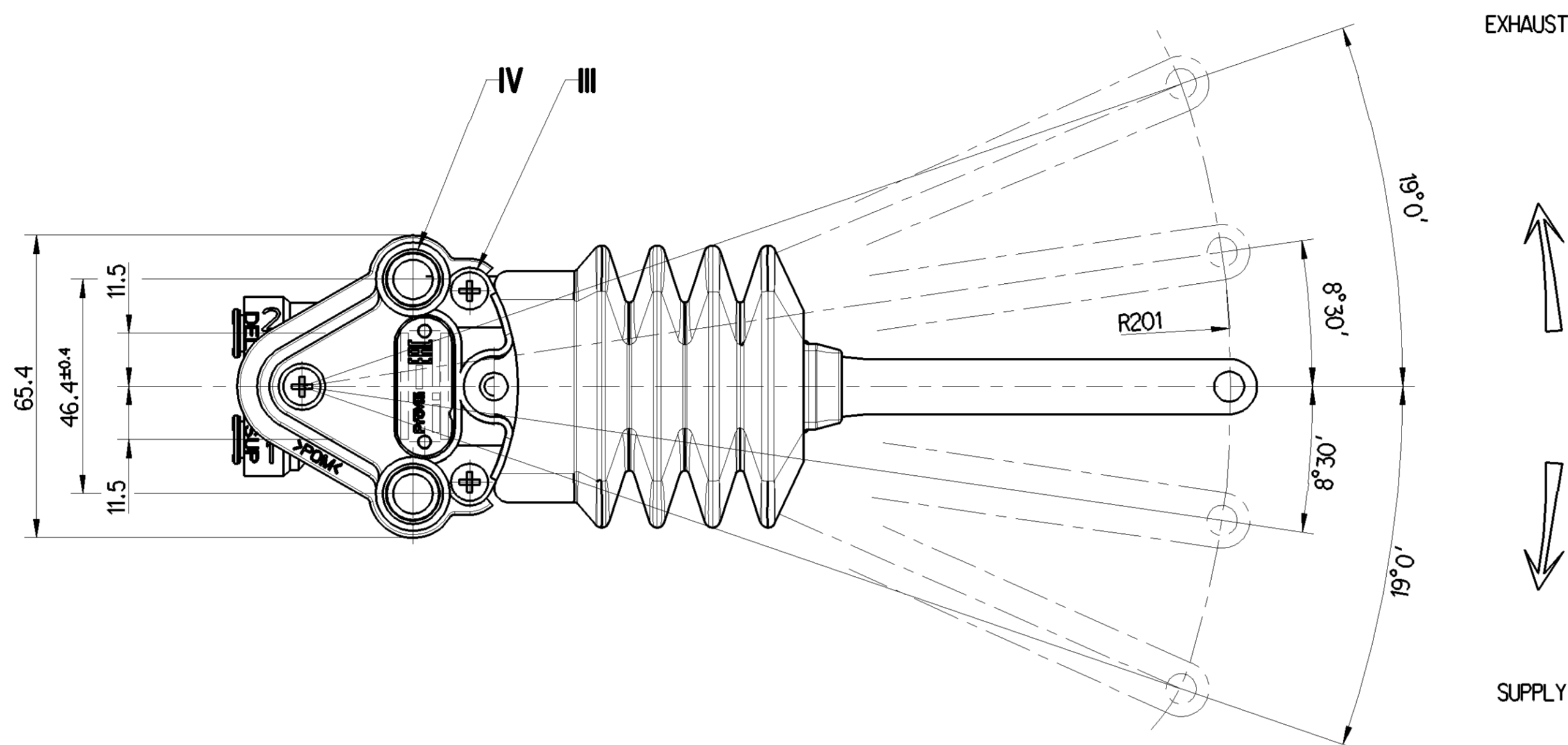
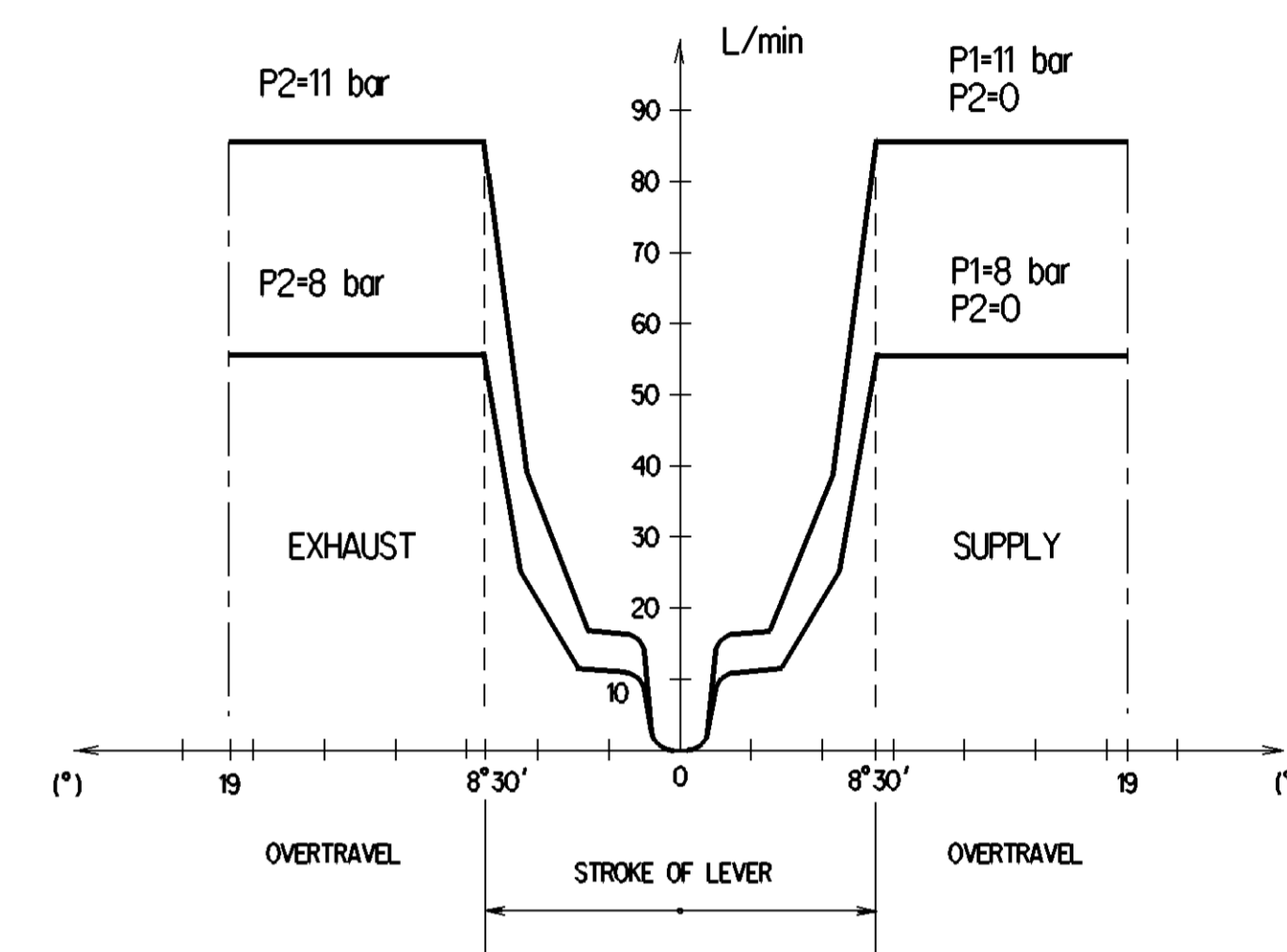


<- SAFETY CHARACTERISTICS	0
<- SIGNIFICANT CHARACTERISTICS	0

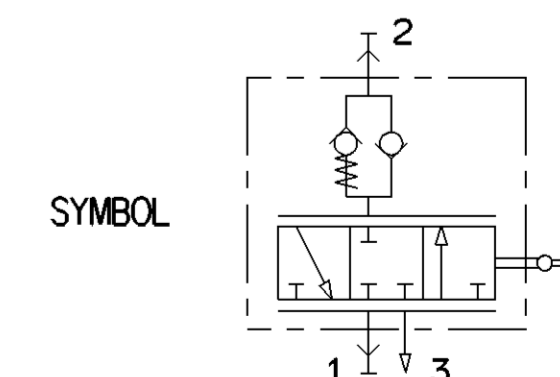


FLOW RATE FOR : P1=8 bar and P1=11 bar



1	SUPPLY
2	DELIVERY
THERMAL RANGE	-40°C ... +80°C
WORKING PRESSURE	P1= 11 bar MAX.
EXCEPTIONAL INLET PRESSURE	P1= 14 bar MAX.
RESIDUAL PRESSURE	P2= 0.6±0.3 bar

- ① HOLE Ø4 TO PRE-INDEX IN MECHANICAL NEUTRAL POSITION
- ② Ø8.5±0.2 (2x), FIXING OF THE VALVE BY SCREW: M8  
TORQUE: 28Nm MAX.



General Specifications: JED-334-1 - Size ISO 14405 LP		Copyright WABCO®		
Further Technical Data: PRO 007 001 0		Date: 2018-09-10	Signature:	
Doc. Code: 035	Sheet: 01 To 05	Checked: 2018-09-10	Expert: Aswinkumar	
General Tolerances JED-261		Material No.:		
Range of Nominal Dimensions ( ± mm)		Date of first issue: 2018-09-10		
Class	1) ≤ 50	2) > 50 &lt; 180	3) > 180 &lt; 400	4) > 400
Fine	0.5	1.0	1.5	2.0
Medium	1.0	2.0	3.0	4.0
Coarse	2.0	3.5	5.0	6.5
Tapped Holes acc.		±3°		
1) Tolerance Class Applied Crossmarked		Mass Scale: 0.209 kg 1:1		
A 1 CREO		Size CAD System: PRO 417 004 0		
ECH-No.:		Revision: 005		
Tech. Resp.: 5642_AM		Tech. Resp.: 005		
Replacement for:		EN 1/1		

Non è permesso copiare o riprodurre questo documento, né utilizzare il contenuto a fini commerciali, senza permesso scritto dalla WABCO. È vietata espressamente la ristampa o l'uso non autorizzato. Toute réimpression ou utilisation non autorisée sans la permission écrite de la WABCO est formellement interdite. Toute utilisation non autorisée sera considérée comme acte de contrefaçon. All rights reserved. No part of this document may be reproduced, stored in a retrieval system, or transmitted in any form or by any means, electronic, mechanical, photocopying, recording, or by any information storage and retrieval system, without the prior written permission of WABCO.