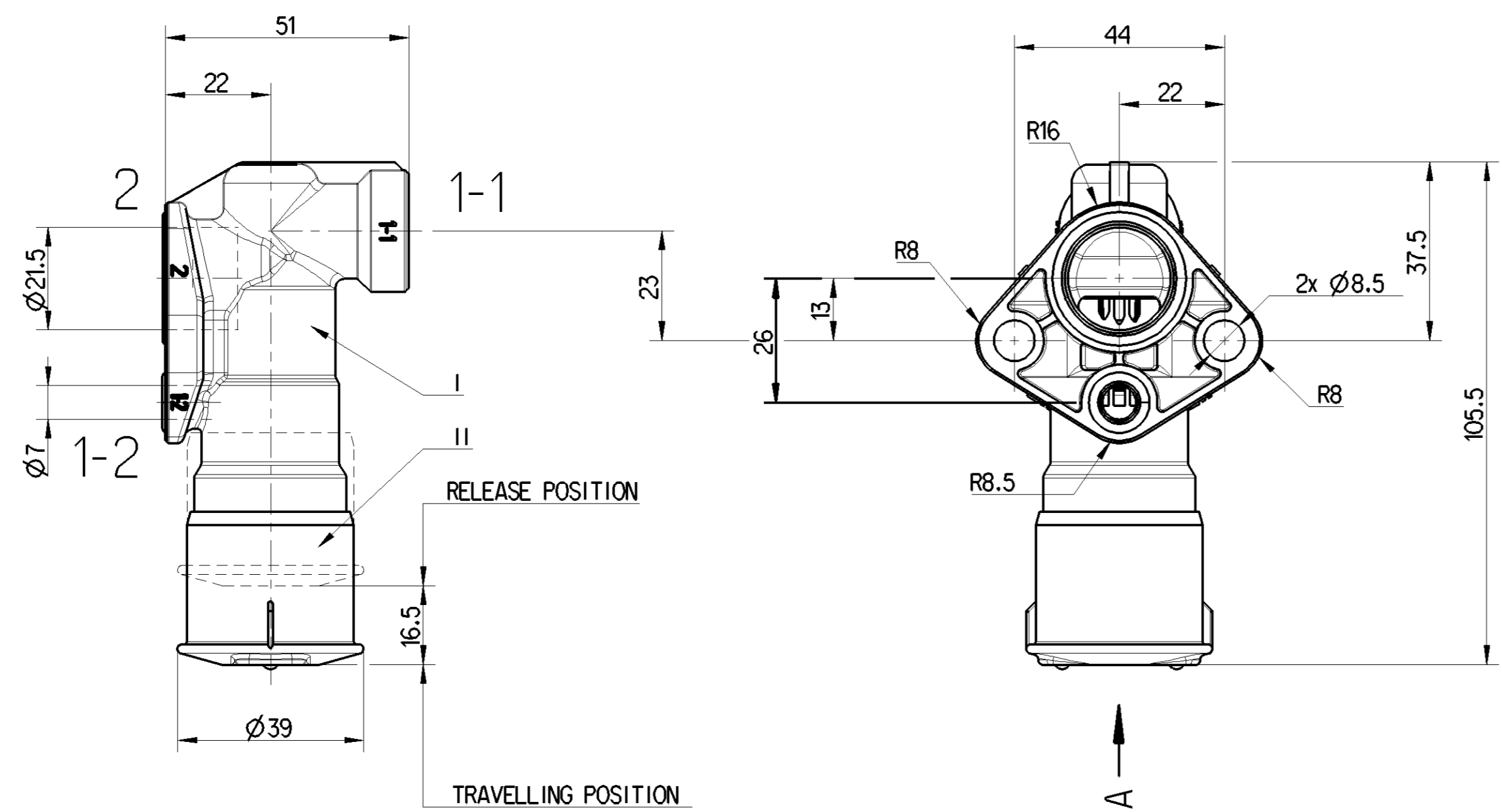
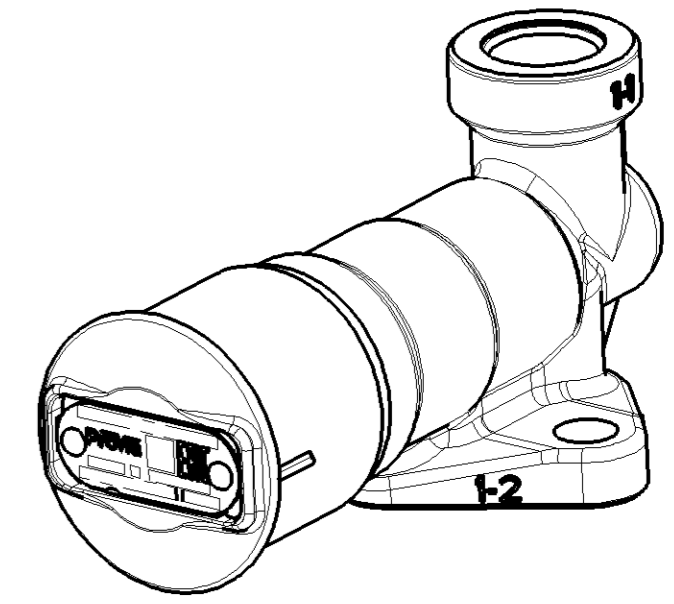
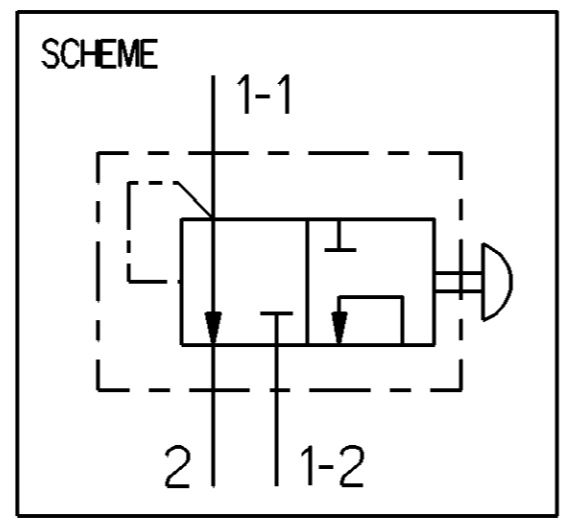
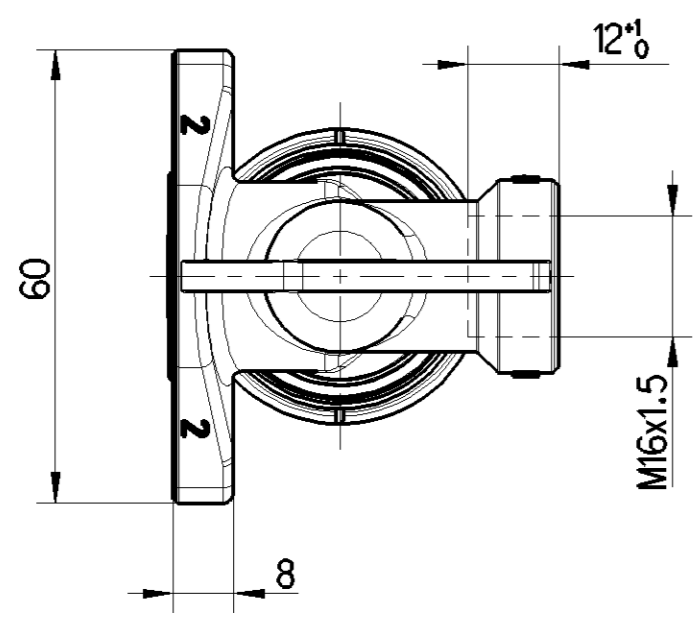
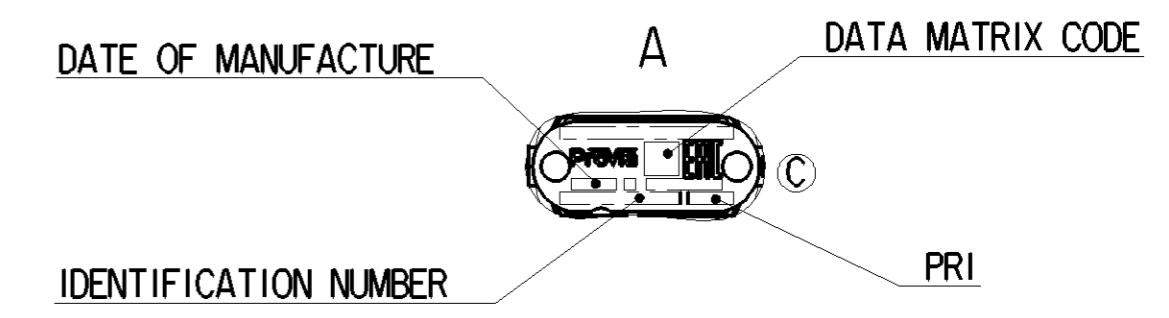


<I>	SAFETY CHARACTERISTICS	0
<II>	SIGNIFICANT CHARACTERISTICS	0
<C>	CUSTOMER INTERFACE	0



MAX. WORKING PRESSURE	8.5 bar
THERMAL RANGE OF APPLICATION	-40° ... +80°C
TORQUE FOR CONNECTIONS	34 Nm MAX.
1-1 SUPPLY	2 SPRING BRAKE CYLINDER
1-2 AIR RESERVOIR	MEDIUM : AIR
WORKING POSITION: UNIMPORTANT EXCEPT EXHAUST AT THE TOP	



	MATERIAL	PROTECTION
I	JED-029M3 (ALUMINUM)	JED-259
II	JED-005M2/3 (POM) COLOR: BLACK	-

General Specification: ISO 8015, JED-334-1, Size ISO 14405 LP		Copyright ZF®		<b>ProVia</b>	
Further Technical Data: PRO5270010		Date	Signature	TRAILER RELEASE VALVE	
Doc. Code: O35	Sheet: 1 To 4	2023-04-19	Murugan		
General Tolerances JED-261		Checked	Kolkowski		
Range of Nominal Dimensions ( ± mm)					
Class 1)	≤ 50	> 50 ≤ 180	> 180 ≤ 400	> 400	∠
Fine	±0.5	±1	±1.5	±2	±3°
Medium	±1	±2	±3	±4	
Coarse	±2	±3.5	±5	±6.5	
Tapped Holes acc. JED-152		Dimensions in mm			
1) Tolerance Class Applied Crossmarked		Mass	Scale	Material No.	Date of first issue: 2017-07-11
		0.124 kg	1:1	PRO 527 001 0	Doc. Code Language Sheet
		A 2	CREO	ECN-No. 513198	Revision 3 x C
				Techn. Resp. 5320_AM	Replacement for -

Non e' permesso copiare, o terzi o riprodurre questo documento, ne utilizzare il contenuto o renderlo comunque noto o terzi senza autorizzazione esplicita. Ogni infrazione costituisce un evidente abuso e comportera il risarcimento dei danni subiti. E' fatta riserva di tutti i diritti derivanti da brevetti o modelli.

Copying of this document and giving it to others and the use or communication of the contents thereof, are forbidden without express authority. Contravention of this restriction will constitute an evident abuse and result in a liability to the payment of damages. All rights are reserved in the event of the grant of patent or registration of a utility model or design. This document is the subject of copyright.

Tous droits de propriete industrielle reserves, notamment en matiere de brevets et de modesles.

Wskazane prawa wystraznienia tego dokumentu, w tym jego kopiowanie, rozpowszechnianie, wykorzystywanie, a takzaw udzielenie informacji o jego tresci, bez wyrazejnej zgody producenta, sa zabronione. Naruszenie tych przepisow stanowi ewidentny naduzycie i skutkuje odpowiedzialnoscia za szkody.

Alle Rechte fuer den Fall der Patenterteilung oder Gebrauchsmuster-Eintragung vorbehalten.

Non e' permesso copiare, o terzi o riprodurre questo documento, ne utilizzare il contenuto o renderlo comunque noto o terzi senza autorizzazione esplicita. Ogni infrazione costituisce un evidente abuso e comportera il risarcimento dei danni subiti. E' fatta riserva di tutti i diritti derivanti da brevetti o modelli.

Copying of this document and giving it to others and the use or communication of the contents thereof, are forbidden without express authority. Contravention of this restriction will constitute an evident abuse and result in a liability to the payment of damages. All rights are reserved in the event of the grant of patent or registration of a utility model or design. This document is the subject of copyright.

Tous droits de propriete industrielle reserves, notamment en matiere de brevets et de modesles.

Wskazane prawa wystraznienia tego dokumentu, w tym jego kopiowanie, rozpowszechnianie, wykorzystywanie, a takzaw udzielenie informacji o jego tresci, bez wyrazejnej zgody producenta, sa zabronione. Naruszenie tych przepisow stanowi ewidentny naduzycie i skutkuje odpowiedzialnoscia za szkody.

Alle Rechte fuer den Fall der Patenterteilung oder Gebrauchsmuster-Eintragung vorbehalten.