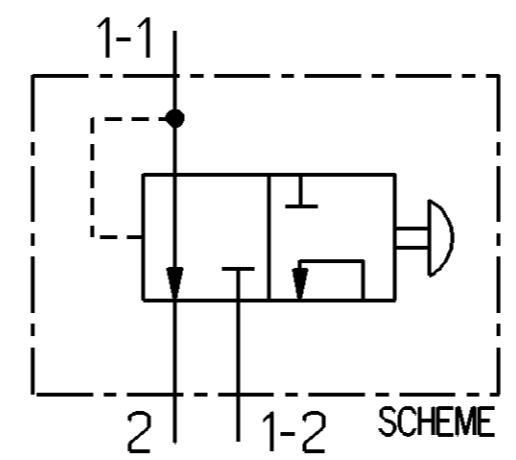
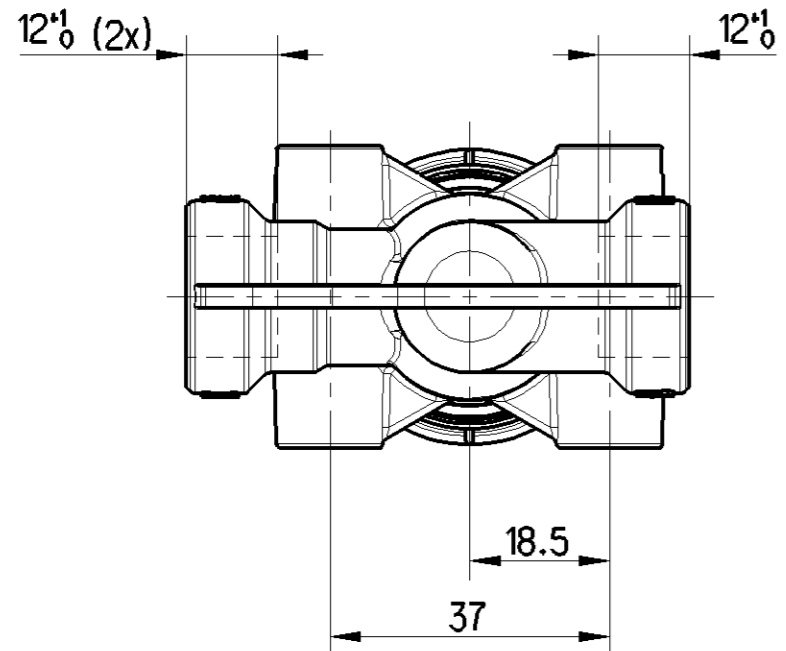
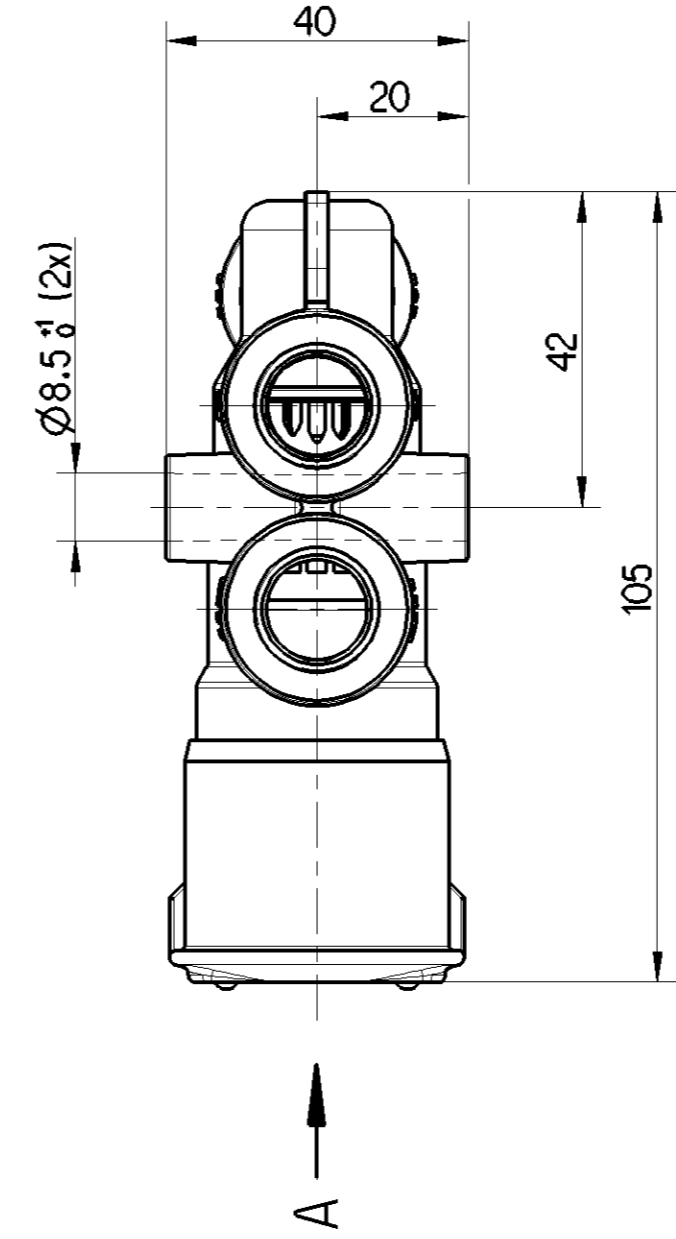
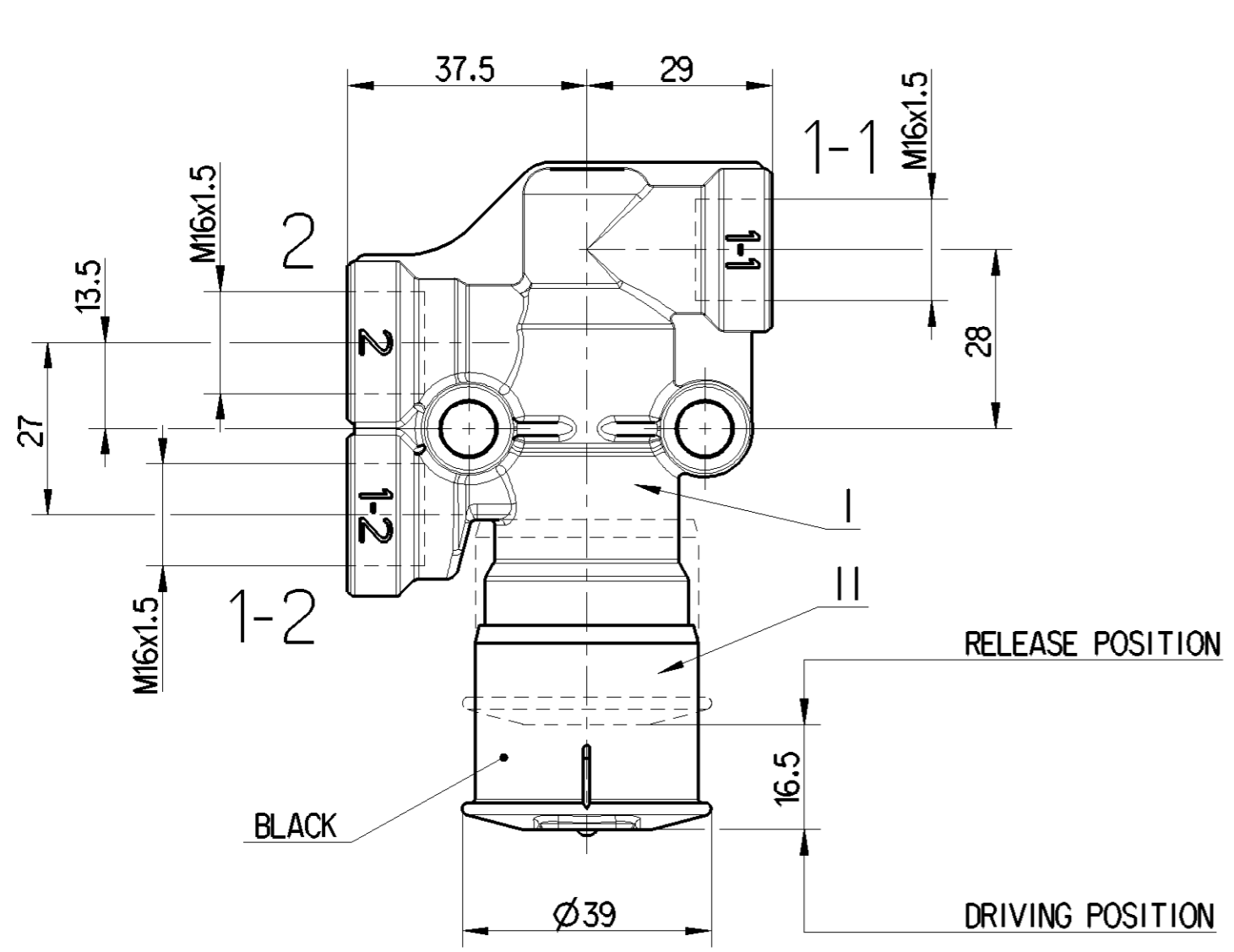
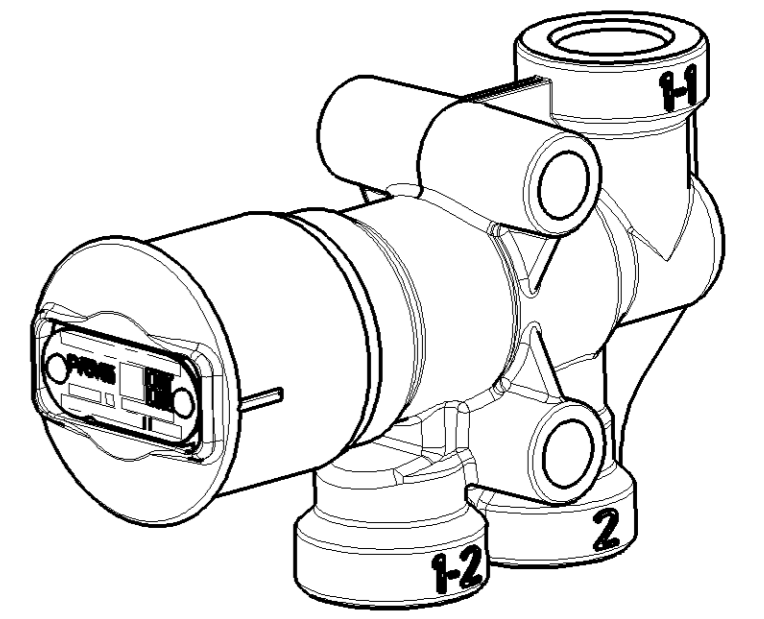
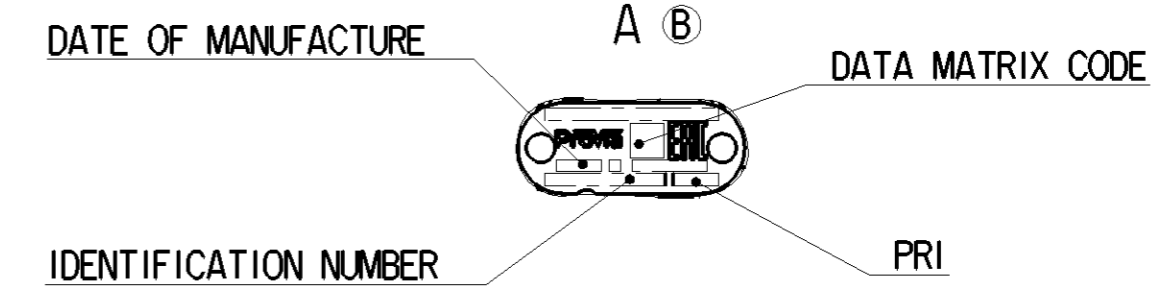


◀I> SAFETY CHARACTERISTICS	0
◀II> SIGNIFICANT CHARACTERISTICS	0
◀CI> CUSTOMER INTERFACE	0



MAXIMUM WORKING PRESSURE	P1 = 8,5 bar
THERMAL RANGE OF APPLICATION	-40°C ... +80°C
MINIMUM NOMINAL DIAMETER	(1-1)--->(2) Ø8 (1-2)--->(2) Ø6
MEDIUM	AIR
TORQUE FOR CONNECTIONS	34 Nm MAX.
WORKING POSITION:	
1-1	SUPPLY
1-2	AIR RESERVOIR
2	RELAY EMERGENCY VALVE



	MATERIAL	PROTECTION
I	JED-029M3 (ALUMINUM)	JED-259
II	JED-005M2/3 (POM) COLOR: BLACK	-

General Specification: ISO 8015, JED-334-1, Size ISO 14405 LP		Copyright ZF®		ProVia	
Further Technical Data: PRO5270040		Date	Signature	TRAILER RELEASE VALVE	
Doc. Code: O35	Sheet: 1 TO 4	2023-04-19	Murugan		
General Tolerances JED-261		Checked	Kolkowski		
Range of Nominal Dimensions (± mm)		Dimensions in mm			
Class 1)	≤ 50 > 50 ≤ 180 > 180 ≤ 400 > 400	Mass	Scale	Material No.	Date of first issue: 2017-09-11
Fine	±0.5 ±1 ±1.5 ±2	0.150	1:1	PRO 527 004 0	Doc. Code Language Sheet
Medium	±1 ±2 ±3 ±4	Kg			005 EN 1/1
Coarse	±2 ±3.5 ±5 ±6.5	Size	CAD System		
Tapped Holes acc. JED-152		A 2	CREO	ECN-No.	Revision
1) Tolerance Class Applied Crossmarked		513198	3 x B	5320_AM	Techn. Resp.
				Replacement for	

Non e permesso copiare, o terzi o riprodurre questo documento, ne utilizzare il contenuto o renderlo comunque noto o terzi senza autorizzazione esplicita. Ogni infrazione costituisce un evidente abuso e comporterà il risarcimento dei danni subiti. E' fatta riserva di tutti i diritti derivanti da brevetti o modelli.
 Copying of this document and giving it to others and the use or communication of the contents thereof, are forbidden without express authority. Contention of this restriction will constitute an evident abuse and result in a liability to the payment of damages. All rights are reserved in the event of the grant of patent or registration of a utility model or design. This document is the subject of copyright.
 Toute communication ou reproduction de ce document, toute exploitation ou communication de son contenu sont interdites, sauf autorisation expresse. Tout manquement a cette regle constitue un abus evident et expose son auteur au versement de dommages et interets. Tous droits de propriete industrielle reserves, notamment en matiere de brevets et de modesles.
 Weitergabe sowie Vervielfältigung dieses Urteiles, Verwertung und Mitteilung desselben ist nicht gestattet, soweit nicht ausdrücklich ansonsten, zuwiderstehenden, stellten einen offensichtlichen Missbrauch dar und verpflichtet zu Schadensersatz. Alle Rechte hier, den Fall der Patenterteilung oder Gebrauchsmuster-Eintragung vorbehalten.