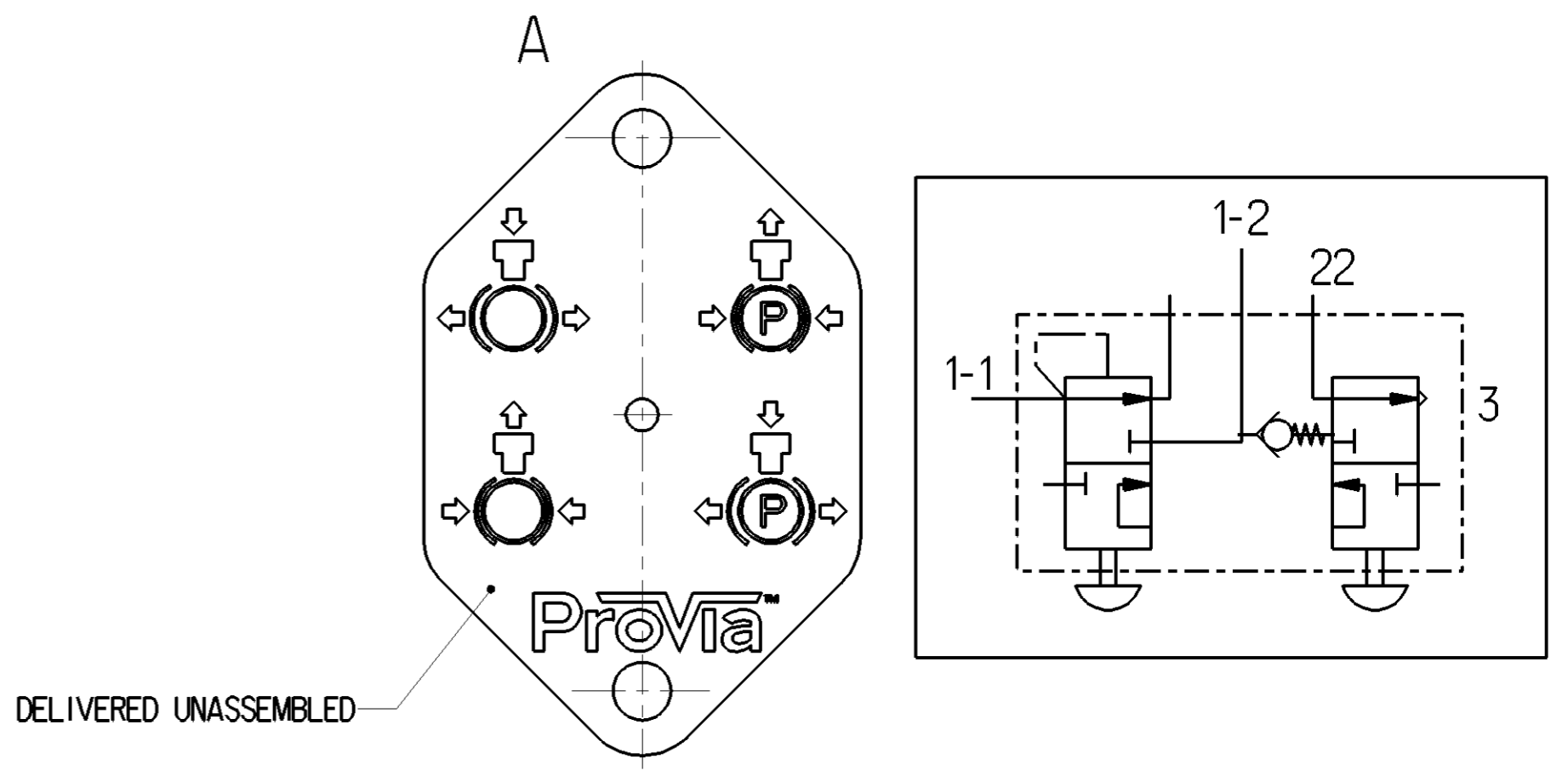
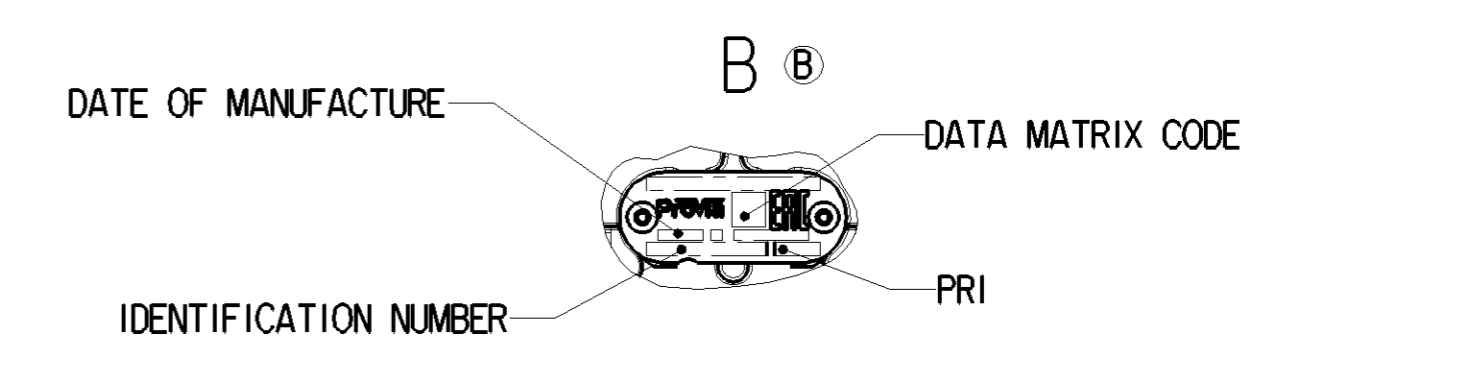
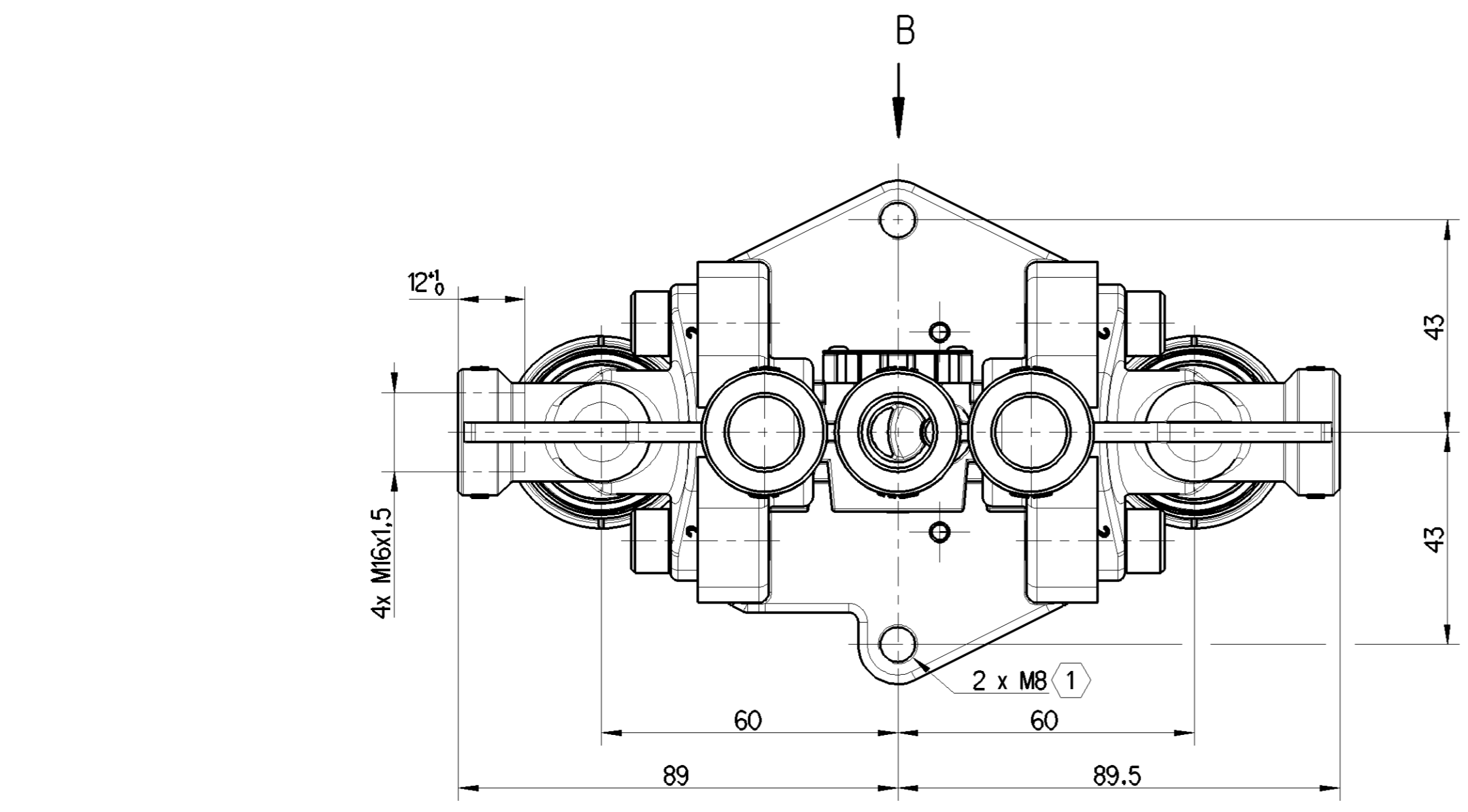
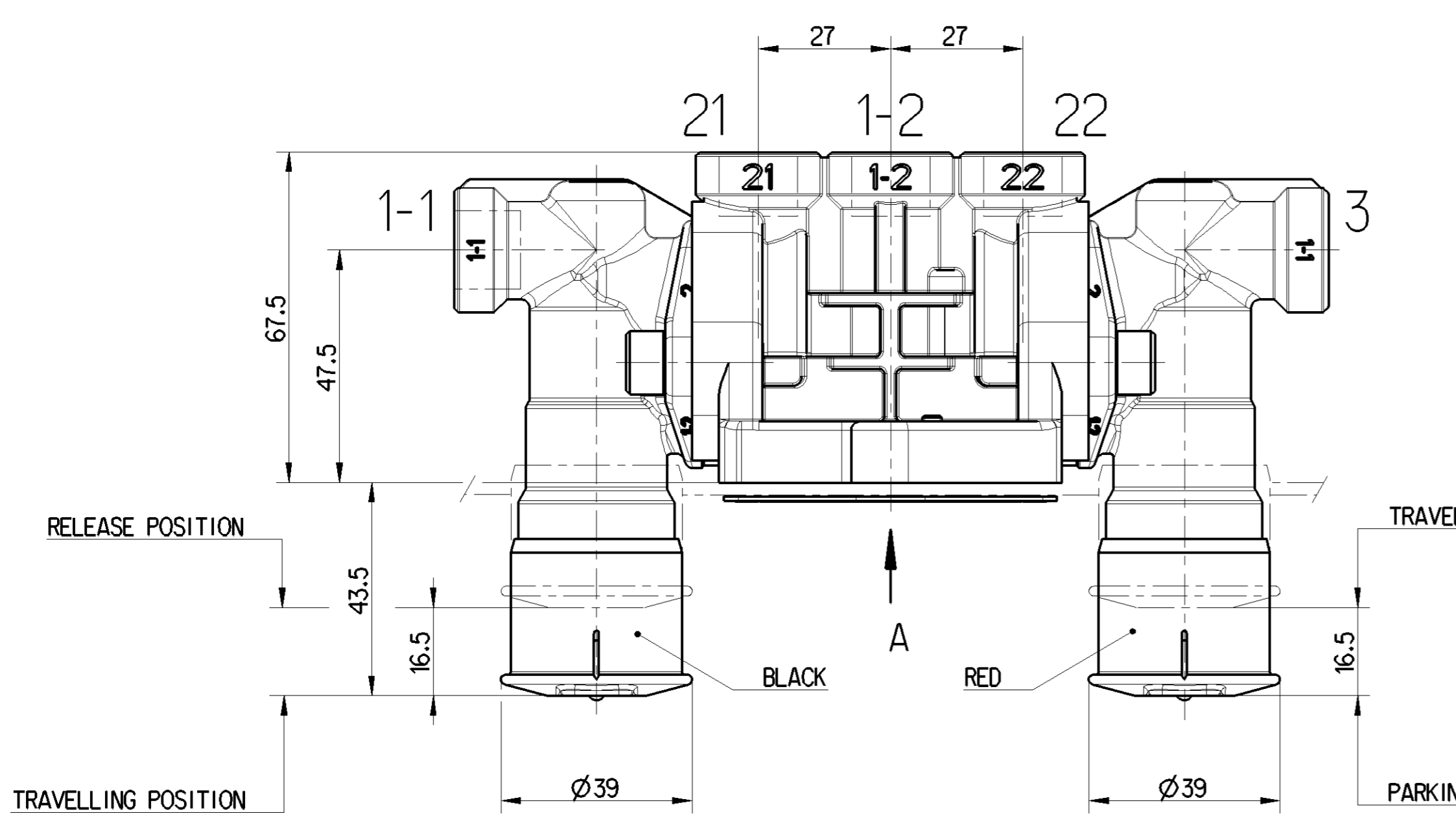


SAFETY CHARACTERISTICS	0
SIGNIFICANT CHARACTERISTICS	0
CUSTOMER INTERFACE	0

(B)

MAXIMUM WORKING PRESSURE	8.5 bar
THERMAL RANGE OF APPLICATION	-40°C ...+80°C
TORQUE FOR CONNECTIONS	34Nm MAX.
1-1 SUPPLY	1-2 AIR RESERVOIR
21 RELAY EMERGENCY VALVE	22 SPRING BRAKE CYLINDER
3 AIR EXHAUST	MEDIUM: AIR
WORKING POSITION: UNIMPORTANT EXCEPT EXHAUST AT THE TOP	



General Specification: ISO 8015, JED-334-1, Size ISO 14405 LP Further Technical Data: PRO 527 005 0 Doc. Code: 035 Sheet: 1 To 4 General Tolerances JED-261			Copyright ZF® Date: _____ Signature: _____ Drawn: Murugan Checked: Kolkowski 2023-04-24		ProVia COVER PORT Material No.: PRO 527 005 0 Date of first issue: 2017-09-15																						
Range of Nominal Dimensions (± mm) <table border="1"> <thead> <tr> <th>Class</th> <th>≤ 50</th> <th>> 50 ≤ 180</th> <th>> 180 ≤ 400</th> <th>> 400</th> </tr> </thead> <tbody> <tr> <td>Fine</td> <td>±0.5</td> <td>±1</td> <td>±1.5</td> <td>±2</td> </tr> <tr> <td>Medium</td> <td>±1</td> <td>±2</td> <td>±3</td> <td>±4</td> </tr> <tr> <td>Coarse</td> <td>±2</td> <td>±3.5</td> <td>±5</td> <td>±6.5</td> </tr> </tbody> </table>			Class	≤ 50	> 50 ≤ 180	> 180 ≤ 400	> 400	Fine	±0.5	±1	±1.5	±2	Medium	±1	±2	±3	±4	Coarse	±2	±3.5	±5	±6.5	Dimensions in mm Mass: 0.012 kg Scale: 1:1 Size: A 2 CAD System: CREO		Date of first issue: 2017-09-15 Doc. Code: 005 Language: EN Sheet: 1/1		
Class	≤ 50	> 50 ≤ 180	> 180 ≤ 400	> 400																							
Fine	±0.5	±1	±1.5	±2																							
Medium	±1	±2	±3	±4																							
Coarse	±2	±3.5	±5	±6.5																							
Tapped Holes acc. JED-152 1) Tolerance Class Applied Crossmarked			ECN-No.: 513198 Revision: 3 x B Techn. Resp.: 5320_AM		Replacement for: _____																						

① TORQUE 10Nm MAX.

Non è permesso cedere o riprodurre questo documento, né utilizzare il contenuto o renderlo comunque noto a terzi senza autorizzazione esplicita. Ogni infrazione costituisce un evidente abuso e comporterà il risarcimento dei danni subiti. E' fatta riserva di tutti i diritti derivanti da brevetti o marchi.
 Toute communication ou reproduction de ce document, toute exploitation ou communication de son contenu sont interdites, sauf autorisation expresse. Tout manquement à cette règle constitue un abus évident et exposera son auteur ou versement de dommages et intérêts. Tous droits de propriété industrielle réservés, notamment en matière de brevets et de marques.
 Weitergabe sowie Vervielfältigung dieses Unterlagen, Verwertung und Mitteilung ihres Inhalts nicht gestattet, soweit nicht ausdrücklich zugestanden. Zuwiderhandlungen stellen einen offensichtlichen Missbrauch dar und verpflichten zu Schadensersatz. Alle Rechte fuer den Fall der Patentierung oder Gebrauchsmuster-Eintragung vorbehalten.

A
B
C
D
E
F
G
H