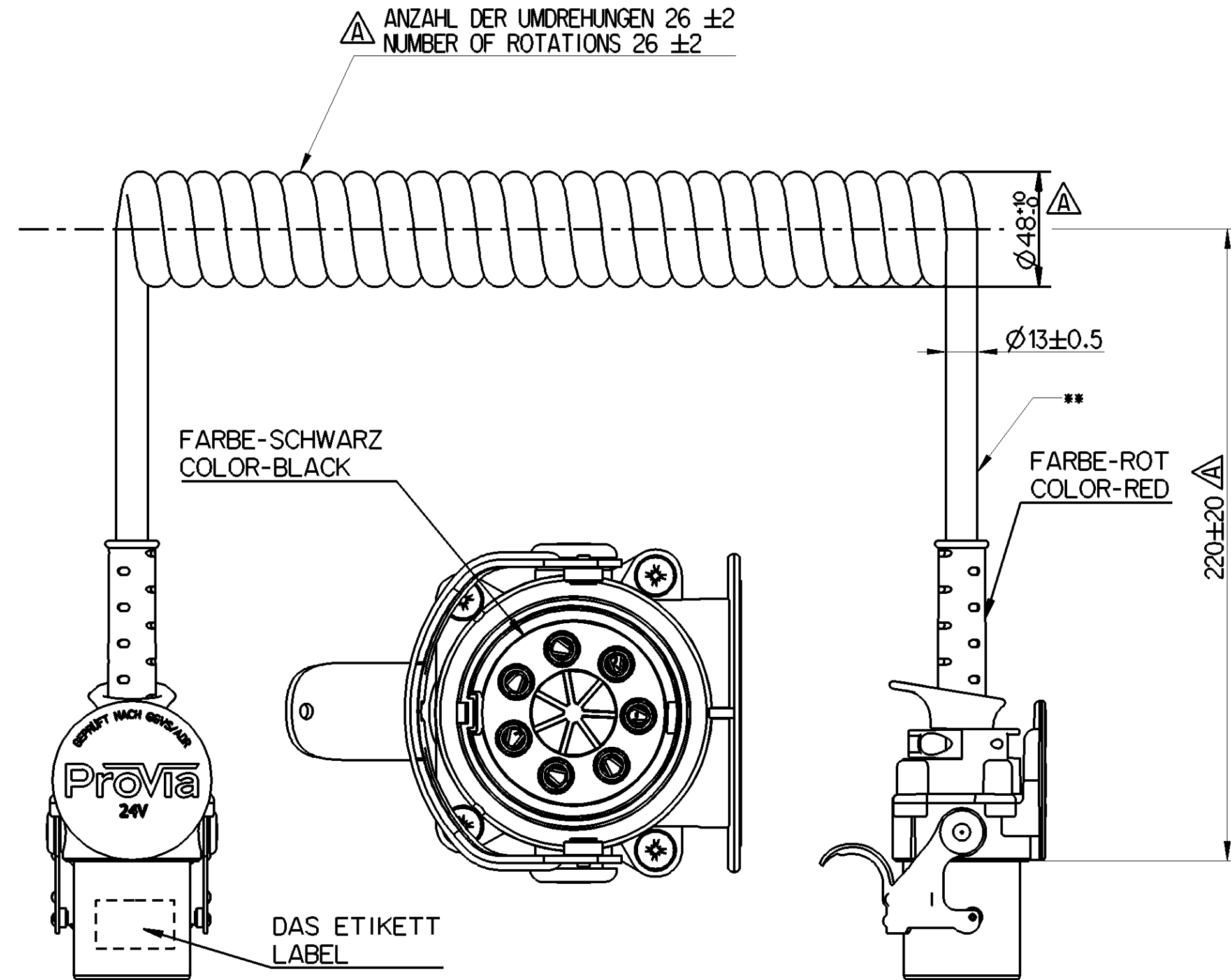


KABEL-TEMPERATURBEREICH -40°C....+90°C \triangle		LITZEN - PVC-LITZEN ISO 11992-1 / ISO 6722-4 DUENN WANDIG			
CABLE-TEMPERATURE RANGE -40°C+90°C \triangle		CORE - PVC ISO 11992-1 / ISO 6722-4 THIN WALLED			
MATERIAL	FARBE COLOR	LITZEN-QUERSCHNITTE (mm2) CORE SECTION (mm2)	NUMMER NUMBER	FARBE COLOR	QUERSCHNITT(mm2) SECTION (mm2)
PU	SCHWARZ BLACK	3x1.5 +2x4 +2x1.5	1	ROT \ RED	4
			2	SCHWARZ \ BLACK	1.5
			3	GELB \ YELLOW	
			4	BRAUN \ BROWN	4
			5	WEISS \ WHITE	1.5
			6*	WEISS - GRUEN WHITE - GREEN	1.5
			7*	WEISS - BRAUN WHITE - BROWN	

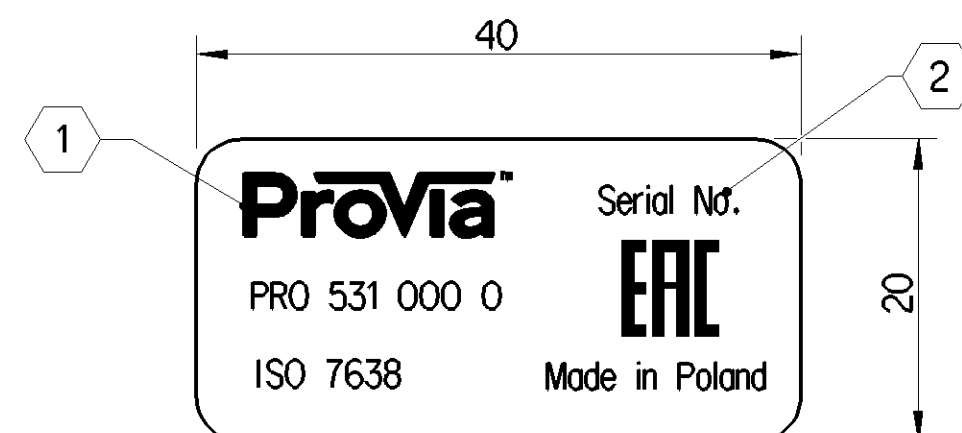
<1> SAFETY CHARACTERISTICS	0
<2> SIGNIFICANT CHARACTERISTICS	0
<CI> CUSTOMER INTERFACE	0



*POS. 6 ; 7 -KAPAZITAET DES ADERNPAARES MAXIMAL 560pF JE WENDELLEITUNG
 *POS. 6 ; 7 - CAPACITY OF WIRES MAX. 560pF PER ELECTRICAL COIL

- BEMERKUNGEN:**
1. VERBINDUNGS SCHEMA NACH - ISO 7638
 2. SPANNUNG - 24V
 3. ARBEITSLAENGE - 3.5 m
 4. ZULAESSIGE AUSZUGSLAENGE - 4 m
 5. TEMPERATURBEREICH -40 °C....+90 °C \triangle
 6. MATERIAL-GEHAUSE - PA6+30GF
 7. SCHUTZART - IP69 \triangle
 8. **AUFDRUCK AUF DEM KABEL:
PROVIA / PRO 531 000 0 - EAC - ISO 7638 - PU - KW/R - MADE IN POLAND

- NOTES:**
1. CONNECTION SCHEME BY - ISO 7638
 2. VOLTAGE - 24V
 3. WORKING LENGTH - 3.5 m
 4. PERMISSIBLE CABLE EXTENSION - 4 m
 5. TEMPERATURE RANGE -40 °C....+90 °C \triangle
 6. MATERIAL-BODY - PA6+30GF
 7. DEGREE OF PROTECTION - IP69 \triangle
 8. **IMPRINT ON CABLE:
PROVIA / PRO 531 000 0 - EAC - ISO 7638 - PU - WEEK/YEAR - MADE IN POLAND



KENNZEICHNUNGSETIKETT / LABEL

- 1 LOGO ACCORDING TO JED-868
LOGO NACH JED-868
- 2 MANUFACTURING WEEK / YEAR
HERSTELLUNG KW / R

GENERELLE SPEZIFIKATION : ISO 7638; ISO 4091; JED-367; JED-220; JED-762; JED-622
 GENERAL SPECIFICATION : ISO 7638; ISO 4091; JED-367; JED-220; JED-762; JED-622

General Specification: ISO 8015, JED-334-1, Size ISO 14405 LP		Copyright ZF®		ProVia	
Further Technical Data:		Date	Signature	COILED CABLE ABS/EBS 7-POLE, 24V WENDELKABEL ABS/EBS 7-POLIG, 24V	
Doc. Code:	Sheet:	2023-10-06	Murugan		
General Tolerances JED-261		Checked			
Range of Nominal Dimensions (± mm)		2023-10-11		Vignesh	
Class 1)	≤ 50	> 50 ≤ 180	> 180 ≤ 400	> 400	\triangle
Fine	±0.5	±1	±1.5	±2	±3°
Medium	±1	±2	±3	±4	
Coarse	±2	±3.5	±5	±6.5	
Tapped Holes acc. -		Dimensions in mm			
1) Tolerance Class Applied Crossmarked		Mass	Scale	Material No.	Date of first issue: 2017-12-04
		Δ1.60	NTS	PRO 531 000 0	Doc.Code Language Sheet
		A 2	CREO	005 ML 1/1	
		ECN-No.	Revision	Techn. Resp.	Replacement for
		511207	10x A	6280_AM	-

Non e permesso, concesso o terzi o riproduzione questo documento, ne utilizzare il contenuto o renderlo comunque noto o terzi senza autorizzazione esplicita. Ogni infrazione costituisce un evidente abuso e comporterà il risarcimento dei danni subiti. E' fatta riserva di tutti i diritti derivanti da brevetti o modelli.

Copying of this document and giving it to others and the use or communication of the contents thereof, are forbidden without express authority. Contravention of this restriction will constitute an evident abuse and result in a liability to the payment of damages. All rights are reserved in the event of the grant of patent or registration of a utility model or design. This document is the subject of copyright.

Toute communication ou reproduction de ce document, toute exploitation ou communication de son contenu sont interdites, sauf autorisation expresse. Tout manquement a cette regle constitue un abus evident et expose son auteur au versement de dommages et interets. Tous droits de propriete industrielle reserves, notamment en matiere de brevets et de modesles.

Weitergabe sowie Vervielfältigung dieses Urteils, Verwertung und Mitteilung desselben, insbesondere in irgendeiner Weise oder in irgendeiner Form, ist ohne schriftliche Genehmigung der ZF Group of Companies. Die Rechte an dem Inhalt der Patenterteilung oder Gebrauchsmuster-Eintragung vorbehalten.