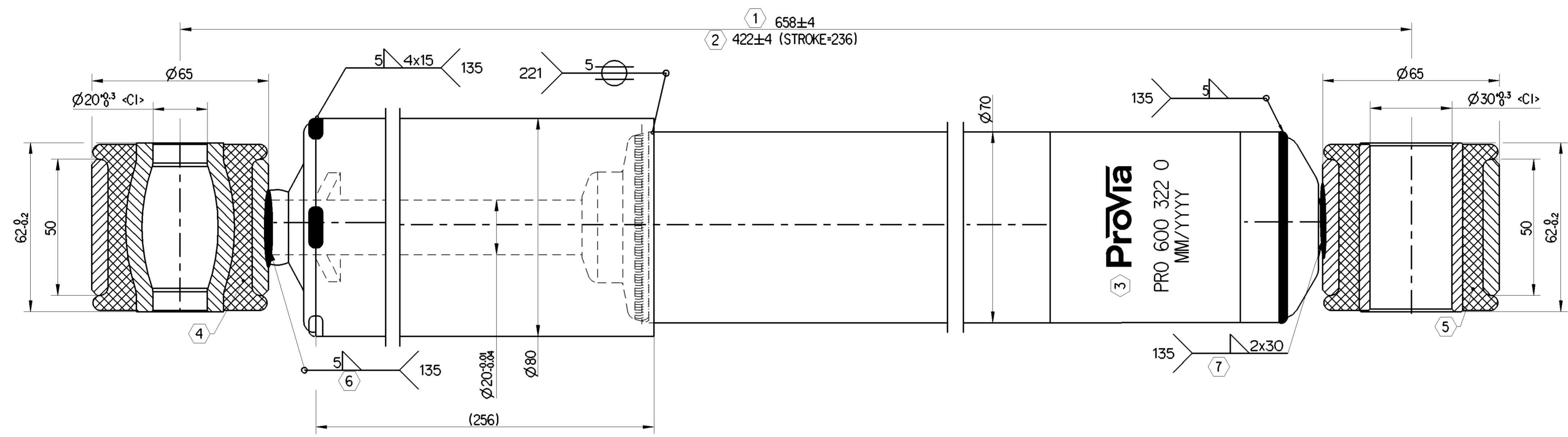


<P> SAFETY CHARACTERISTICS	0
<S> SIGNIFICANT CHARACTERISTICS	0
<CI> CUSTOMER INTERFACE	2



1	MAX.REBOUND LENGTH
2	MIN.COMPRESSION LENGTH
3	MARKING DETAILS PROVIA LOGO PROVIA PART NUMBER DATE OF MANUFACTURING
4	HARDNESS OF RUBBER PARTS 67-73 HS
5	HARDNESS OF RUBBER PARTS 60-70 HS
6	WELD STRENGTH 60KN
7	WELD STRENGTH 55KN
	COLOUR: RAL 9005B SEMI-BLACK

Δ Damping force specification-HYDRAULIC

V (m/s)	0.079	0.157	0.314	0.520
Rebound (N)	5585	10540	12495	14535
Compression (N)	2430	3935	5810	6975
S(mm)	60		Reb (N)	

General Specifications: ISO 8015, JED-334-1, Size ISO H405 LP		Copyright WABCO®	
Further Technical Data: PRO 601.066.0		Date	Signature
Doc. Code: O35	Sheet: 1 To 6	2023-03-30	Saravanan
General Tolerances JED-261		2023-04-17	Manivannan
Range of Nominal Dimensions (± mm)		Dimensions in mm	
Class	1) ≤ 50	> 50 > 180	> 180 > 400
Fine	±0.5	±1	±1.5
Medium	±1	±2	±3
Coarse	±2	±3.5	±5
Tapped Holes acc. -		±3°	
Mass	6.14 kg	Scale	1:1
Size	A 1	CAD System	CREO
Material No. PRO 600 322 0		Date of first issue	2022-11-04
Revision		Doc.Code	Language
513729		005	EN
Revision		Techn. Resp.	Sheet
A		6961LAM	1/1

Non è permesso copiare o riprodurre questo documento, né utilizzare il contenuto a fini commerciali senza permesso scritto dalla WABCO. È vietata espressamente la ristampa o l'uso non autorizzato. Toute réimpression ou utilisation non autorisée sans la permission écrite de la WABCO est formellement interdite. Toute réimpression ou utilisation non autorisée sans la permission écrite de la WABCO est formellement interdite.