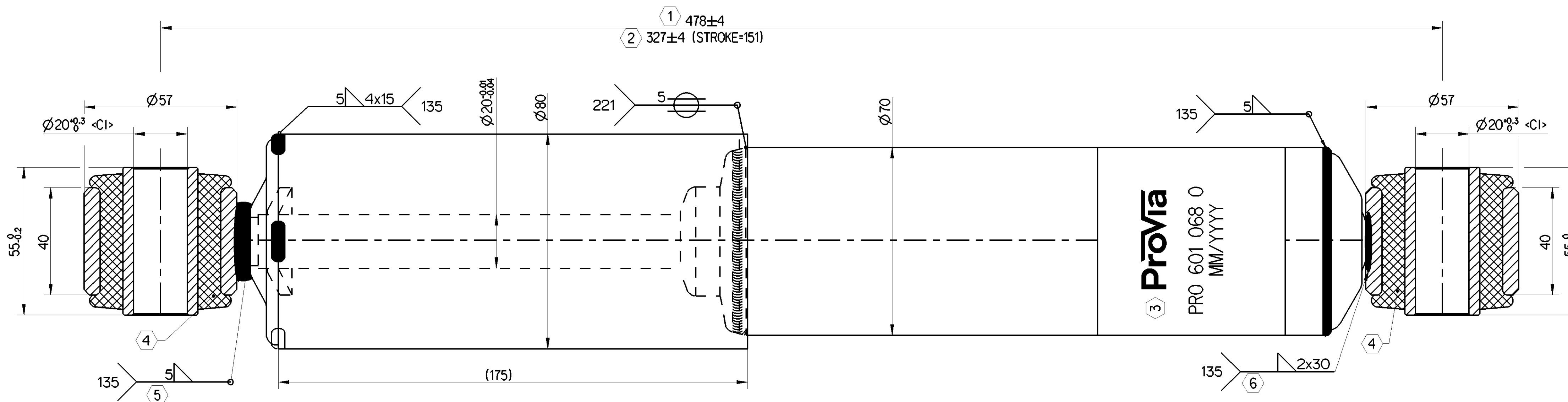


<P> SAFETY CHARACTERISTICS	0
<S> SIGNIFICANT CHARACTERISTICS	0
<CI> CUSTOMER INTERFACE	2



1	MAX.REBOUNDE LENGTH
2	MIN.COMPRESSION LENGTH
3	MARKING DETAILS PROVIA LOGO PROVIA PART NUMBER DATE OF MANUFACTURING
4	HARDNESS OF RUBBER PARTS 65-70 HS
5	WELD STRENGTH 60KN
6	WELD STRENGTH 55KN
	COLOUR: RAL 9005B SEMI-BLACK

△ Damping force specification-HYDRAULIC

V (m/s)	0.079	0.157	0.314	0.520	0.750
Rebound (N)	2645	4905	8125	10750	12925
Compression (N)	1150	1540	2260	3010	3560
S(mm)	60		Reb (N)		

General Specifications: ISO 8015, JED-334-1, Size ISO H405 LP		Copyright WABCO®	
Further Technical Data: PRO 601 068 0		Date	Signature
Doc. Code: O35	Sheet: 1 To 6	2023-03-30	Sarvanon
General Tolerances JED-261		2023-04-17	Manivomon
Range of Nominal Dimensions ( ± mm)		Dimensions in mm	
Class	1) ≤ 50	> 50 ≤ 180	> 180 ≤ 400
Fine	±0.5	±1	±1.5
Medium	±1	±2	±3
Coarse	±2	±3.5	±5
Tapped Holes acc.:-		Mass	Scale
1) Tolerance Class Applied Crossmarked		4.6 kg	1:1
		Size	CAD System
		A 1	CREO
		Material No.	
		PRO 601 068 0	
		Date of first issue:	2022-11-08
		Doc.Code	Language
		005	EN
		Revision	Techn. Resp.
		513729	6961LAM
		Replacement for	

Non è permesso copiare o riprodurre questo documento, né utilizzare il contenuto a fini commerciali senza permesso scritto dalla WABCO. È vietata espressamente la ristampa o l'uso non autorizzato. Toute réimpression ou reproduction de son contenu sans autorisation écrite de la WABCO est formellement interdite. Toute utilisation commerciale est formellement interdite. All rights reserved. No part of this document may be reproduced or transmitted in any form or by any means electronic or mechanical, including photocopying and recording, or by any information storage or retrieval system, without prior written permission from WABCO.