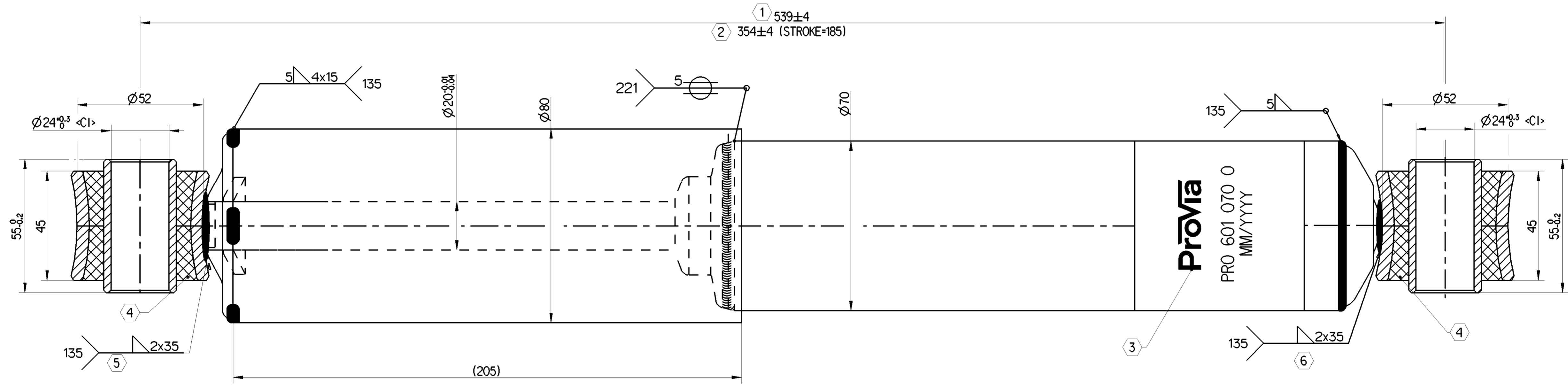


<I> SAFETY CHARACTERISTICS	0
<S> SIGNIFICANT CHARACTERISTICS	0
<CI> CUSTOMER INTERFACE	2



1	MAX.REBOUND LENGTH
2	MIN.COMPRESSION LENGTH
3	MARKING DETAILS PROVIA LOGO PROVIA PART NUMBER DATE OF MANUFACTURING
4	HARDNESS OF RUBBER PARTS 65-70 HS
5	WELD STRENGTH 60KN
6	WELD STRENGTH 55KN
	CLOUR: RAL 9005B SEMI-BLACK

Non è permesso copiare o riprodurre questo documento, né utilizzare il contenuto o i marchi contenuti in esso, senza permesso scritto dalla WABCO. È vietata espressamente la ristampa o l'uso non autorizzato di questo documento. Toute réimpression ou utilisation non autorisée sans la permission écrite de la WABCO est formellement interdite. Toute utilisation non autorisée sera considérée comme une violation des lois en vigueur. All rights reserved. No part of this document may be reproduced or transmitted in any form or by any means electronic or mechanical, including photocopying and recording, or by any information storage or retrieval system, without permission in writing from WABCO. This document is the subject of copyright.

Toute réimpression ou utilisation non autorisée sans la permission écrite de la WABCO est formellement interdite. Toute utilisation non autorisée sera considérée comme une violation des lois en vigueur. All rights reserved. No part of this document may be reproduced or transmitted in any form or by any means electronic or mechanical, including photocopying and recording, or by any information storage or retrieval system, without permission in writing from WABCO. This document is the subject of copyright.

△ Damping force specification-HYDRAULIC

V (m/s)	0.079	0.157	0.314	0.520	0.750
Rebound (N)	5580	8125	9935	12185	15070
Compression (N)	2420	3805	4715	5765	6815
S(mm)	60		Reb (N)		

General Specifications: ISO 8015, JED-334-1, Size ISO H405 LP		Copyright WABCO®	
Further Technical Data: PRO 601 066 0		Date	Signature
Doc. Code: O35	Sheet: 1 To 6	2023-04-21	Saravanan
General Tolerances JED-261		2023-04-26	
Range of Nominal Dimensions (± mm)		Manivannan	
Class	1)	≤ 50	> 50 < 180
		±0.5	±1
		±1	±1.5
		±2	±2
		±3	±4
		±4	±5
		±5	±6.5
		±3°	
Dimensions in mm		Mass	Scale
		4.94 kg	1:1
		Size	CAD System
		A 1	CREO
Tapped Holes acc.-		Material No.	
1) Tolerance Class Applied Crossmarked		PRO 601 070 0	
		Doc.No.	Revision
		513729	1x A
		Techn. Resp.	696LAM
		Date of first issue: 2022-11-04	
		Doc.Code	Language
		O05	EN
		Sheet 1/1	

File: PRO_035_005_Visual / Data / mat / prod / PRO_035_005_Visual.dwg