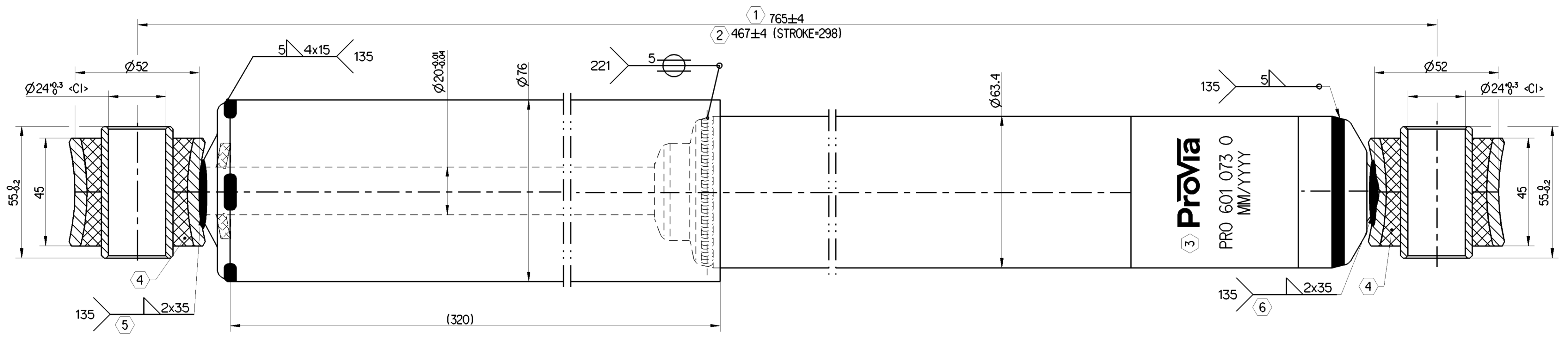


<I> SAFETY CHARACTERISTICS	0
<S> SIGNIFICANT CHARACTERISTICS	0
<CI> CUSTOMER INTERFACE	2



1	MAX.REBOUND LENGTH
2	MIN.COMPRESSION LENGTH
3	MARKING DETAILS PROVIA LOGO PROVIA PART NUMBER DATE OF MANUFACTURING
4	HARDNESS OF RUBBER PARTS 65-70 HS
5	WELD STRENGTH 60KN
6	WELD STRENGTH 55KN
	COLOUR: RAL 9005B SEMI-BLACK

Damping force specification-HYDRAULIC

V (m/s)	0.079	0.157	0.314	0.520
Rebound (N)	2415	6015	7230	8315
Compression (N)	435	665	970	1480
S(mm)	60		Reb (N)	

General Specifications: ISO 8015, JED-334-1, Size ISO H405 LP		Copyright WABCO®		ProVia	
Further Technical Data: PRO 601 066 0		Date	Signature		
Doc. Code: O35	Sheet: 1 To 6	2023-03-30	Saravanan		
General Tolerances JED-261		2023-04-17		Manivannan	
Range of Nominal Dimensions (± mm)					
Class	1) ≤ 50	> 50 ≤ 180	> 180 ≤ 400	> 400	∇
Fine	±0.5	±1	±1.5	±2	
Medium	X ±1	±2	±3	±4	±3°
Coarse	±2	±3.5	±5	±6.5	
Tapped Holes acc. -					
1) Tolerance Class Applied Crossmarked					
Mass	Scale	Dimensions in mm		Material No.	
4.5 kg	1:1			PRO 601 073 0	
Size	CAD System	EDM-No.	Revision	Techn. Resp.	Date of first issue: 2022-11-04
A 1	CREO	513729	1x	A 6961LAM	Doc.Code Language Sheet
				005 EN 1/1	
				Replacement for	

Non è permesso copiare o riprodurre questo documento, né utilizzare il contenuto o i dati contenuti in questo documento, senza permesso scritto dalla WABCO. È vietata espressamente la ristampa o l'uso non autorizzato. Toute réimpression ou reproduction de ce document, sans autorisation écrite de la WABCO, est formellement interdite. Toute utilisation non autorisée des données contenues dans ce document est formellement interdite.