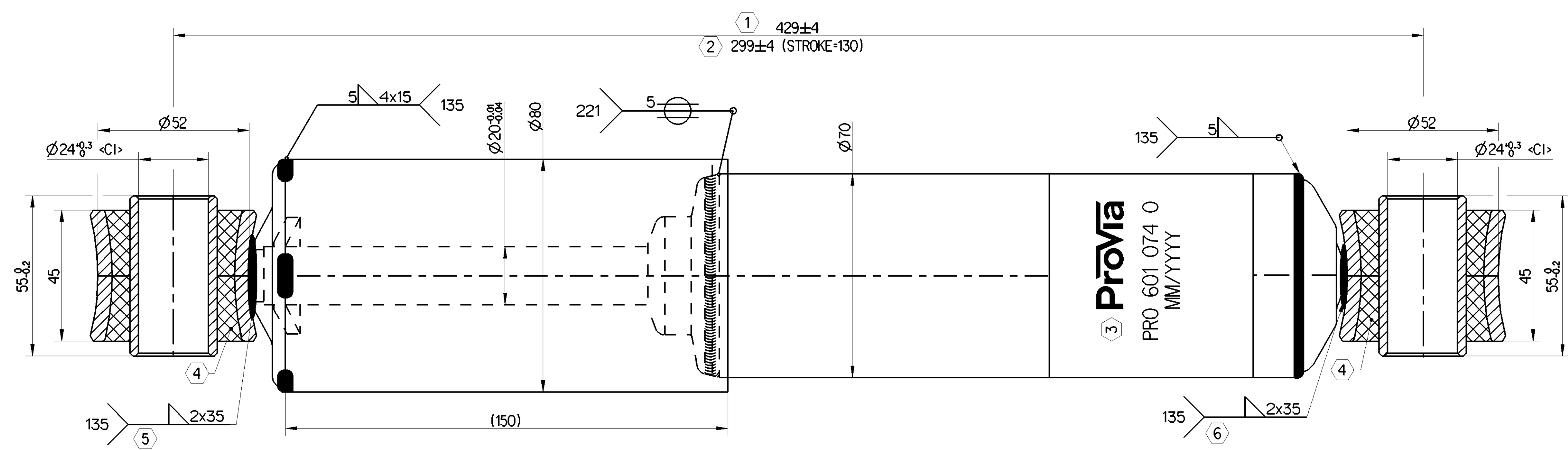


|                                 |   |
|---------------------------------|---|
| <P> SAFETY CHARACTERISTICS      | 0 |
| <S> SIGNIFICANT CHARACTERISTICS | 0 |
| <CI> CUSTOMER INTERFACE         | 2 |



|                              |   |
|------------------------------|---|
| 1                            | MAX.REBOUNDE LENGTH   |
| 2                            | MIN.COMPRESSION LENGTH  |
| 3                            | MARKING DETAILS<br>PROVIA LOGO<br>PROVIA PART NUMBER<br>DATE OF MANUFACTURING |
| 4                            | HARDNESS OF RUBBER<br>PARTS 65-70 HS  |
| 5                            | WELD STRENGTH 60kN  |
| 6                            | WELD STRENGTH 55kN  |
| COLOUR: RAL 9005B SEMI-BLACK |   |

Non è permesso copiare o riprodurre questo documento, né utilizzare il contenuto a fini di lucro, senza permesso scritto dalla WABCO. È vietata espressamente la ristampa o l'uso non autorizzato. Toute réimpression ou utilisation non autorisée sans la permission écrite de la WABCO est formellement interdite. Toute utilisation non autorisée sera considérée comme une violation des droits de propriété intellectuelle. All rights reserved. No part of this document may be reproduced or transmitted in any form or by any means electronic or mechanical, including photocopying and recording, or by any information storage or retrieval system, without prior written permission from WABCO. This document is the subject of copyright.

Alle Rechte für den Fall der Patentierung oder Gebrauchsmusteranmeldung vorbehalten. All rights reserved. No part of this document may be reproduced or transmitted in any form or by any means electronic or mechanical, including photocopying and recording, or by any information storage or retrieval system, without prior written permission from WABCO. This document is the subject of copyright.

**Δ Damping force specification-HYDRAULIC**

|                 |       |       |         |       |
|-----------------|-------|-------|---------|-------|
| V (m/s)         | 0.079 | 0.157 | 0.314   | 0.520 |
| Rebound (N)     | 4205  | 8865  | 10310   | 12205 |
| Compression (N) | 1775  | 3170  | 3970    | 4960  |
| S(mm)           | 60    |       | Reb (N) |       |

|   |               |                     |            |
|---|---------------|---------------------|------------|
| General Specifications: ISO 8015, JED-334-1, Size ISO H405 LP |               | Copyright WABCO®    |            |
| Further Technical Data: PRO 601 066 0                         |               | Date                | Signature  |
| Doc. Code: O35  | Sheet: 1 To 6 | 2023-03-30          | Saravanan  |
| General Tolerances JED-261                                    |               | Checked             | Manivannan |
| Range of Nominal Dimensions ( ± mm)                           |               | Dimensions in mm    |            |
| Class   | 1) ≤ 50       | > 50                | > 180      |
|   | ±0.5          | ±1                  | ±1.5       |
|   |               | ±2                  | ±2         |
|   |               | ±3                  | ±4         |
|   |               | ±4                  | ±5         |
|   |               | ±5                  | ±6.5       |
|   |               | ±6.5                | ±3°        |
| Mass  | 4.2 kg        | Scale               | 1:1        |
| Size  | A 1           | CAD System          | CREO       |
| Material No. PRO 601 074 0                                    |               | Date of first issue | 2022-11-04 |
| Revision  |               | Doc.Code            | Language   |
| 513729  |               | 005                 | EN         |
| Tech. Resp. 696LAM  |               | Sheet               | 1/1        |
| Replacement for   |               |                     |            |