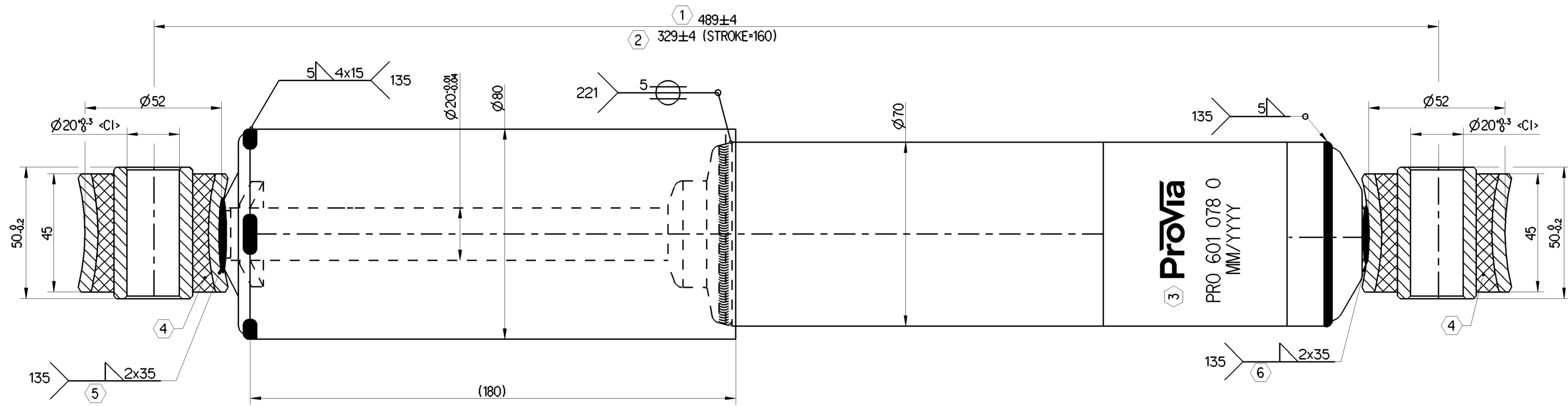


<1> SAFETY CHARACTERISTICS	0
<2> SIGNIFICANT CHARACTERISTICS	0
<CI> CUSTOMER INTERFACE	2



1	MAX.REBOUND LENGTH
2	MIN.COMPRESSION LENGTH
3	MARKING DETAILS PROVIA LOGO PROVIA PART NUMBER DATE OF MANUFACTURING
4	HARDNESS OF RUBBER PARTS 60-70 HS
5	WELD STRENGTH 60KN
6	WELD STRENGTH 55KN
	COLOUR: RAL 9005B SEMI-BLACK

Δ Damping force specification-HYDRAULIC

V (m/s)	0.079	0.157	0.314	0.520	0.750
Rebound (N)	2445	7785	10180	11665	13495
Compression (N)	Δ440	545	725	975	1250
S(mm)	60		Reb (N)		

General Specifications: ISO 8015, JED-334-1, Size ISO 14405 LP		Copyright WABCO®	
Further Technical Data: PRO 601 077 0		Date	Signature
Doc. Code: O35	Sheet: 1 To 8	2023-04-21	Saravanan
General Tolerances JED-261		2023-04-26	
Range of Nominal Dimensions (± mm)		Mannivanan	
Class	1) ≤ 50	> 50 < 180	> 180 < 400
Fine	±0.5	±1	±1.5
Medium	±1	±2	±3
Coarse	±2	±3.5	±5
Tapped Holes acc. -		±3°	
1) Tolerance Class Applied Crossmarked			
Mass	4.7 kg	Scale	1:1
Size	A 1	CAD System	CREO
Material No.		Date of first issue	2022-11-04
PRO 601 078 0		Doc.Code	005
Revision		Techn. Resp.	EN
513729		6961AM	1/1

Non e permesso copiare o riprodurre questo documento, ne utilizzare il contenuto o renderlo comunque noto a terzi.
 Toute communication ou reproduction de ce document, toute exploitation ou communication de son contenu sans autorisation, sont interdites.
 Wichtige sowie Verwechslung dieser Unterlagen, Verwertung und Missbrauch ihrer Inhalte nicht gestattet, soweit
 All rights reserved. No part of this document may be reproduced, stored in a retrieval system, or transmitted in any form or by any means, electronic, mechanical, photocopying, recording, or by any information storage and retrieval system, without the prior written permission of the copyright owner.