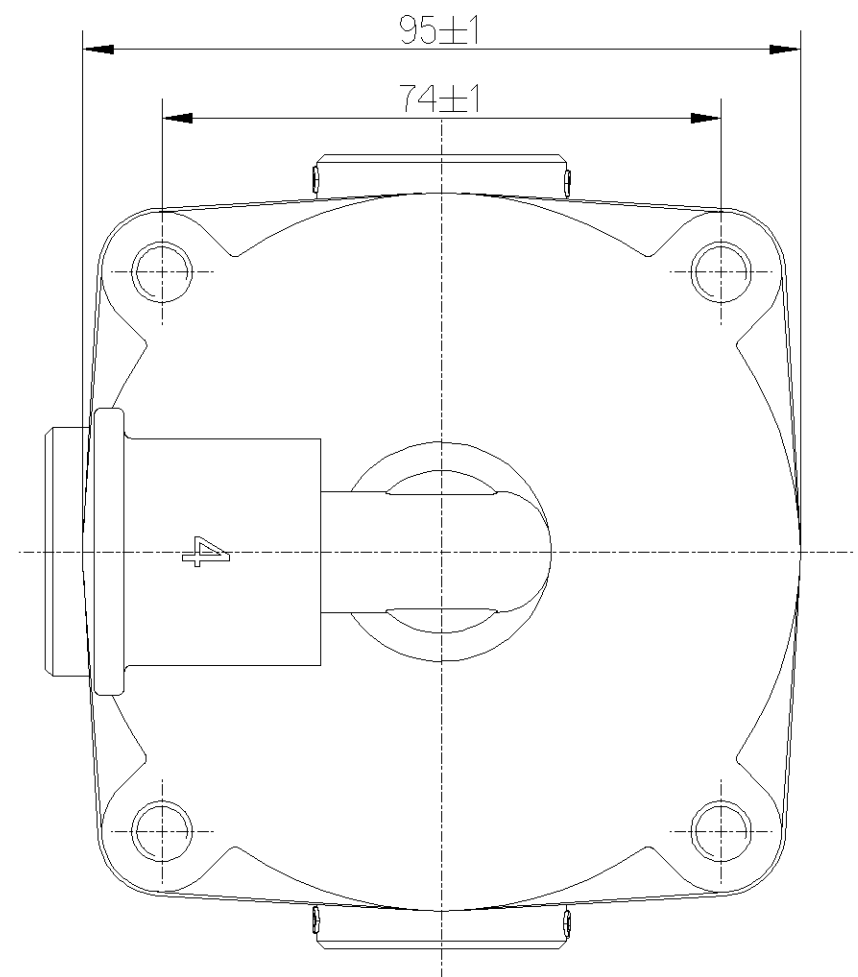
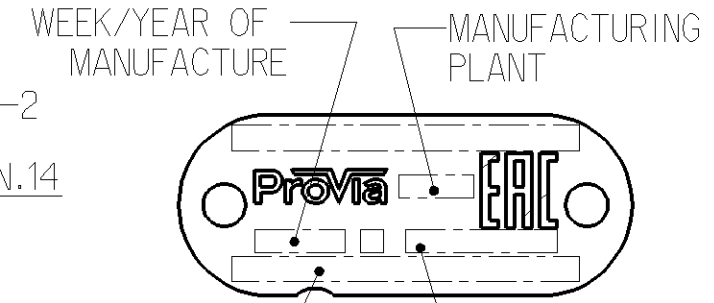
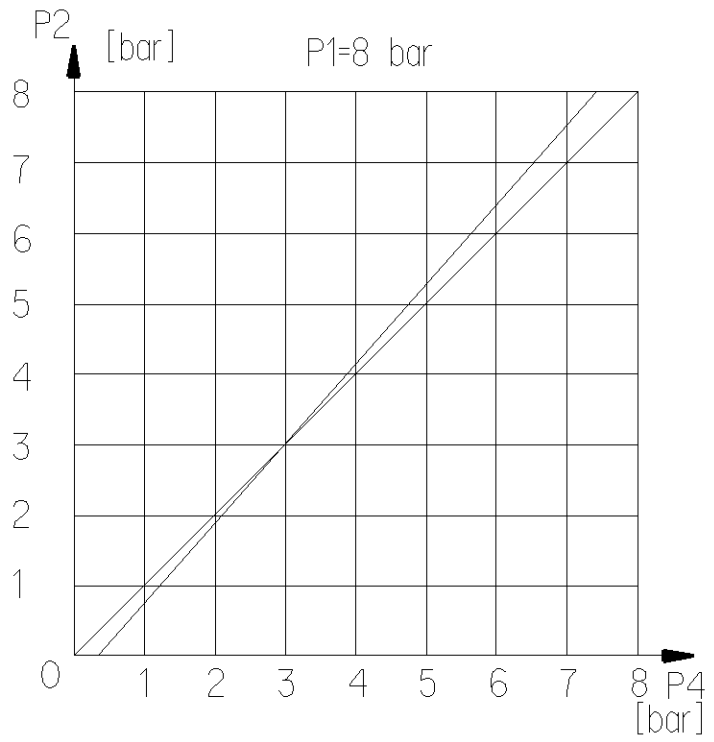
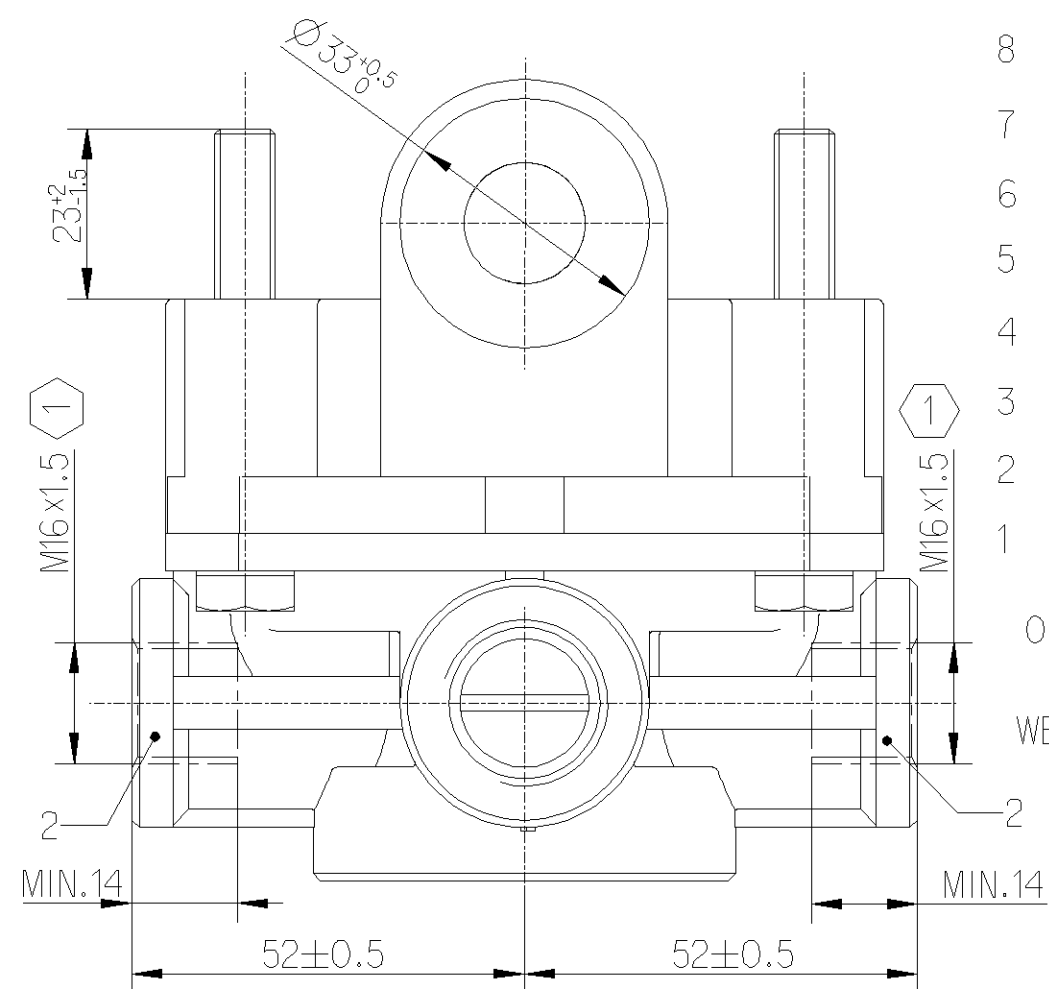
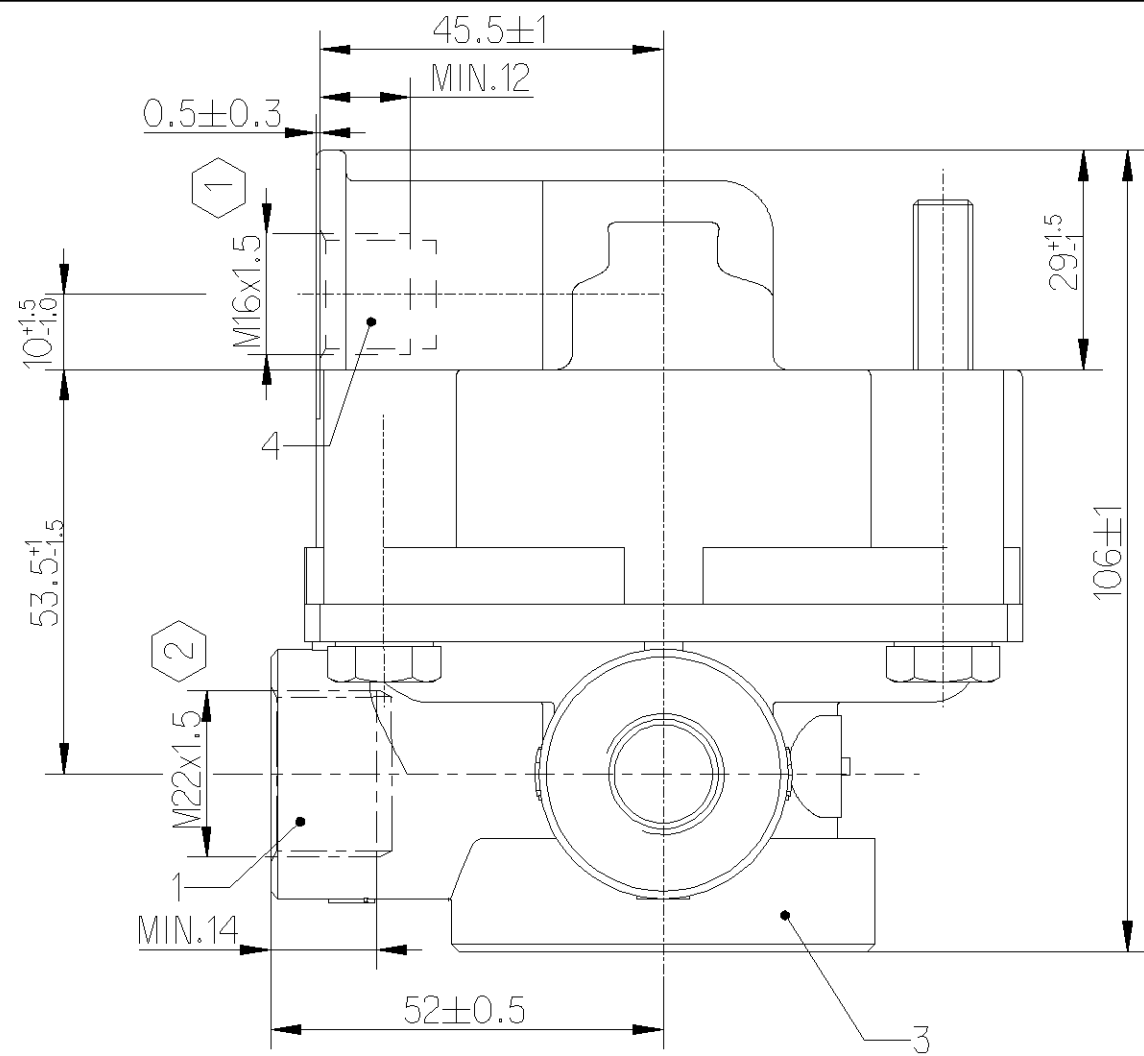


Non è permesso consegnare a terzi o riprodurre questo documento, né utilizzarne il contenuto o renderlo comunque noto a terzi senza autorizzazione esplicita. Ogni infrazione costituirà un evidente abuso e comporterà il risarcimento dei danni subiti. È fatta riserva di tutti i diritti derivanti da brevetti o modelli.

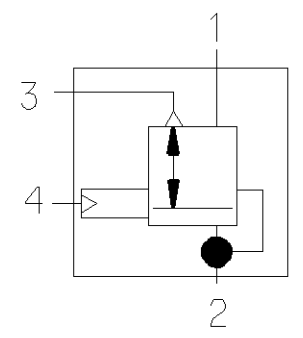
Toute communication ou reproduction de ce document, toute exploitation ou communication de son contenu sont interdites, sauf autorisation expresse. Tout manquement à cette règle constitue un abus évident et expose son auteur au versement de dommages et intérêts. Tous droits de propriété industrielle réservés, notamment en matière de brevets et de modèles.

Copying of this document and giving it to others and the use or communication of the contents thereof, are forbidden without express authority. Contrivention of this restriction will constitute an evident abuse and result in a liability to the payment of damages. All rights are reserved in the event of the grant of patent or registration of a utility model or design. This document is the subject of copyright.

Weitergabe sowie Vervielfältigung dieser Unterlagen, Verwertung und Mitteilung ihres Inhalts nicht gestattet, soweit nicht ausdrücklich zugestanden. Zuwiderhandlungen stellen einen offensichtlichen Missbrauch dar und verpflichten zu Schadensersatz. Alle Rechte fuer den Fall der Patenterteilung oder Gebrauchsmuster-Eintragung vorbehalten.



SCHMATIC DIAGRAM



- 1 - SUPPLY
- 2 - DELIVERY PRESSURE
- 3 - EXHAUST
- 4 - CONTROL PRESSURE

- ① TORQUE MAX: 34 NM
- ② TORQUE MAX: 53 NM

PROVIA IDENTIFICATION NUMBER

ADJUSTED PRESSURE

TECHNICAL INFORMATION:
 MEDIUM: AIR
 WORKING PRESSURE: 8 BAR
 SUPPLY PRESSURE: 22 BAR

WORKING TEMPERATURE: -40°C ... +80°C
 OTHERS: ACCORDING TO QC/T35

General Specification: ISO 8015, JED-334-1, Size ISO 14405 LP		Copyright WABCO®		 Relay Valve				
Further Technical Data: Product Specification		Date	Signature				Date of first issue: 2022-05-10	
Doc. Code: O35	Sheet: 1 To 7	2022-05-10	Pakula				Doc.Code	Language
General Tolerances JED-261		2022-05-10	Pawlowski				005	EN
Range of Nominal Dimensions (± mm)		Dimensions in mm		Material No.				
Class	1)	≤ 50	> 50 ≤ 180	Mass	Scale			
Fine		±0.5	±1	1.1 kg	1:1 (2:1)			
Medium	X	±1	±2	Size	CAD System			
Coarse		±2	±3.5	A 3	CREO			
		> 180 ≤ 400	±1.5	Material No. PRO 643 020 0				
		> 400	±2	Date of first issue: 2022-05-10				
			±3°	Doc.Code Language Sheet				
				005 EN 1/1				
Tapped Holes acc. -				ECN-No. Revision Techn. Resp. Replacement for				
1) Tolerance Class Applied Crossmarked				- - - 5220_AM -				