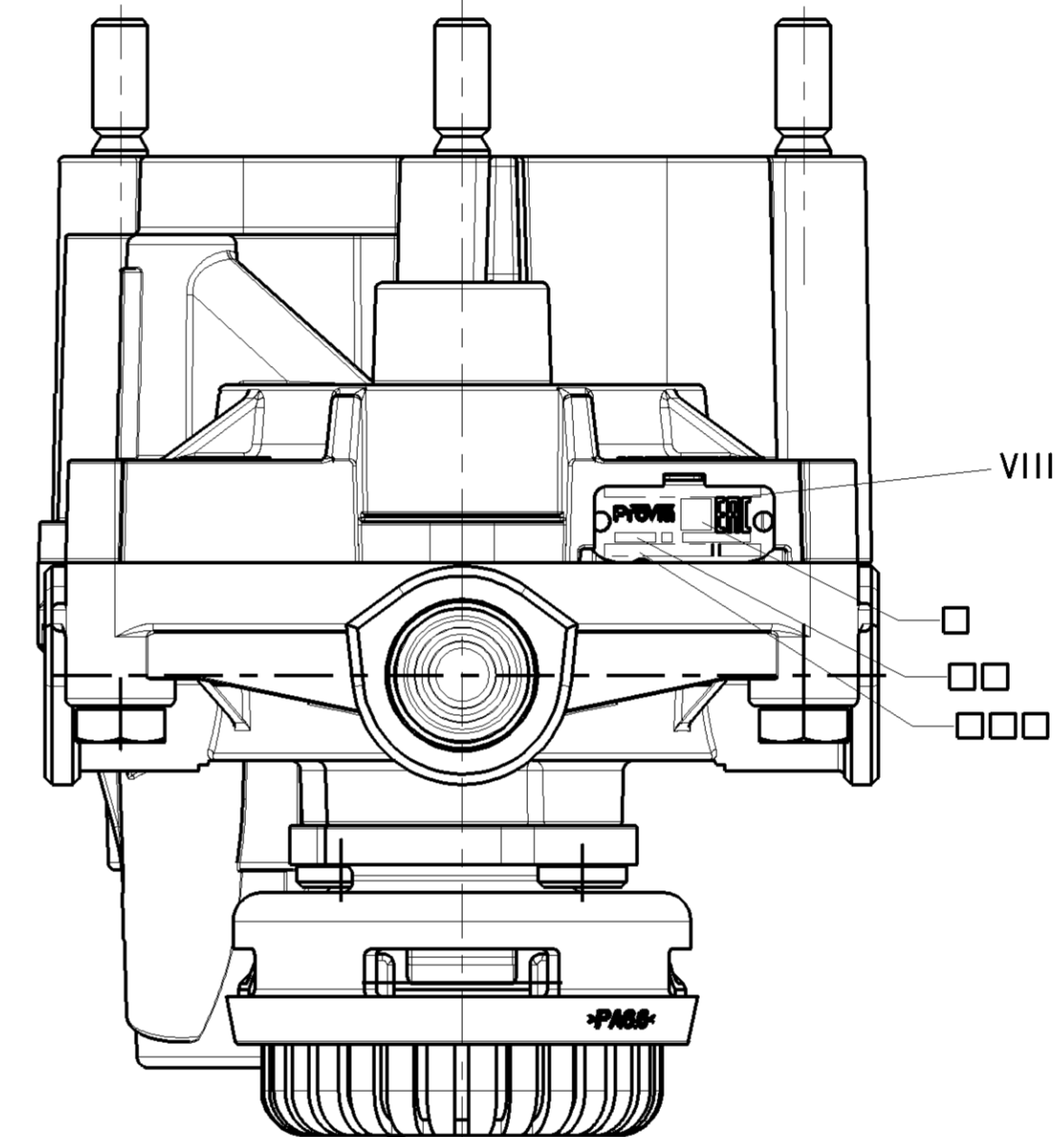
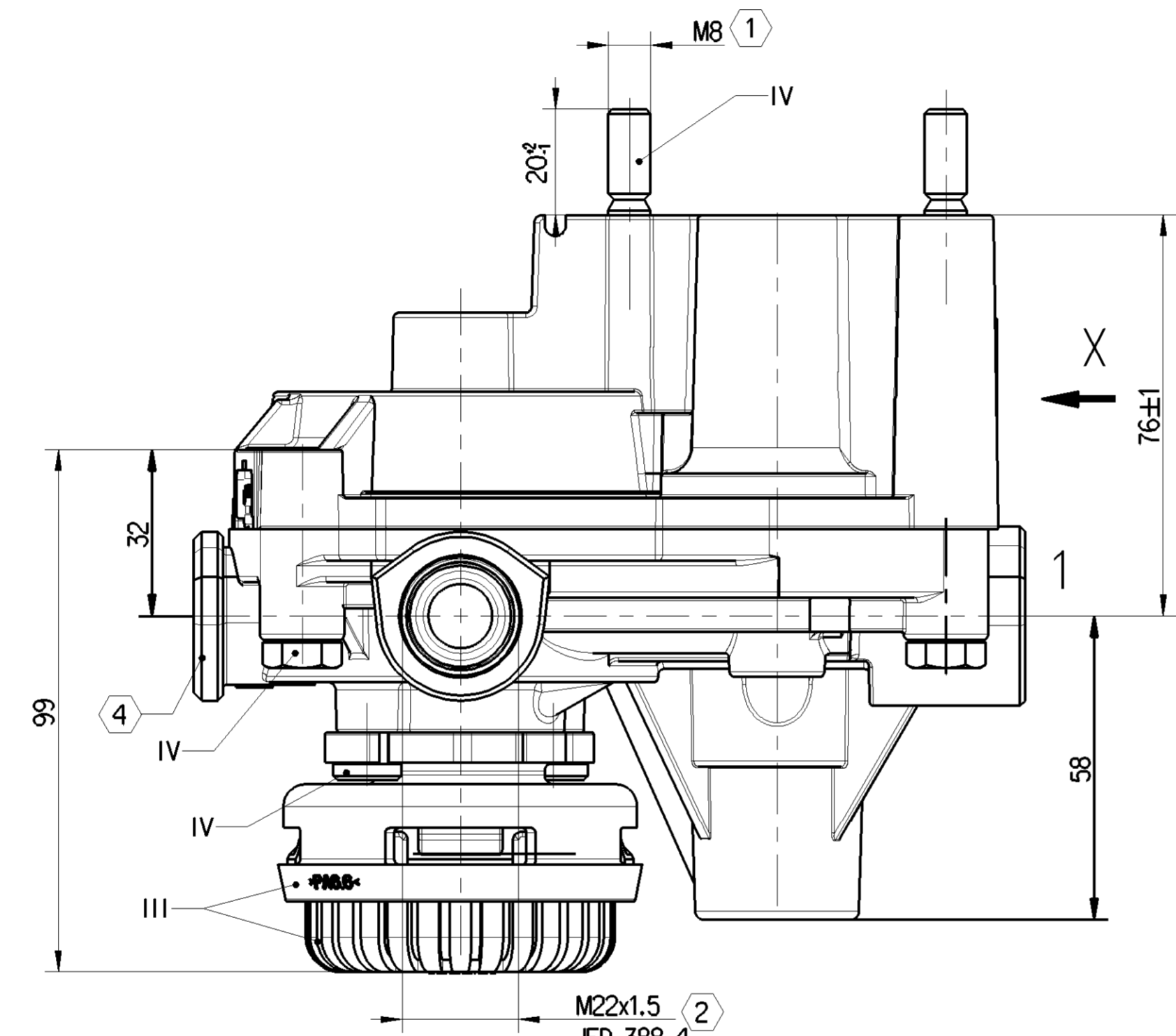
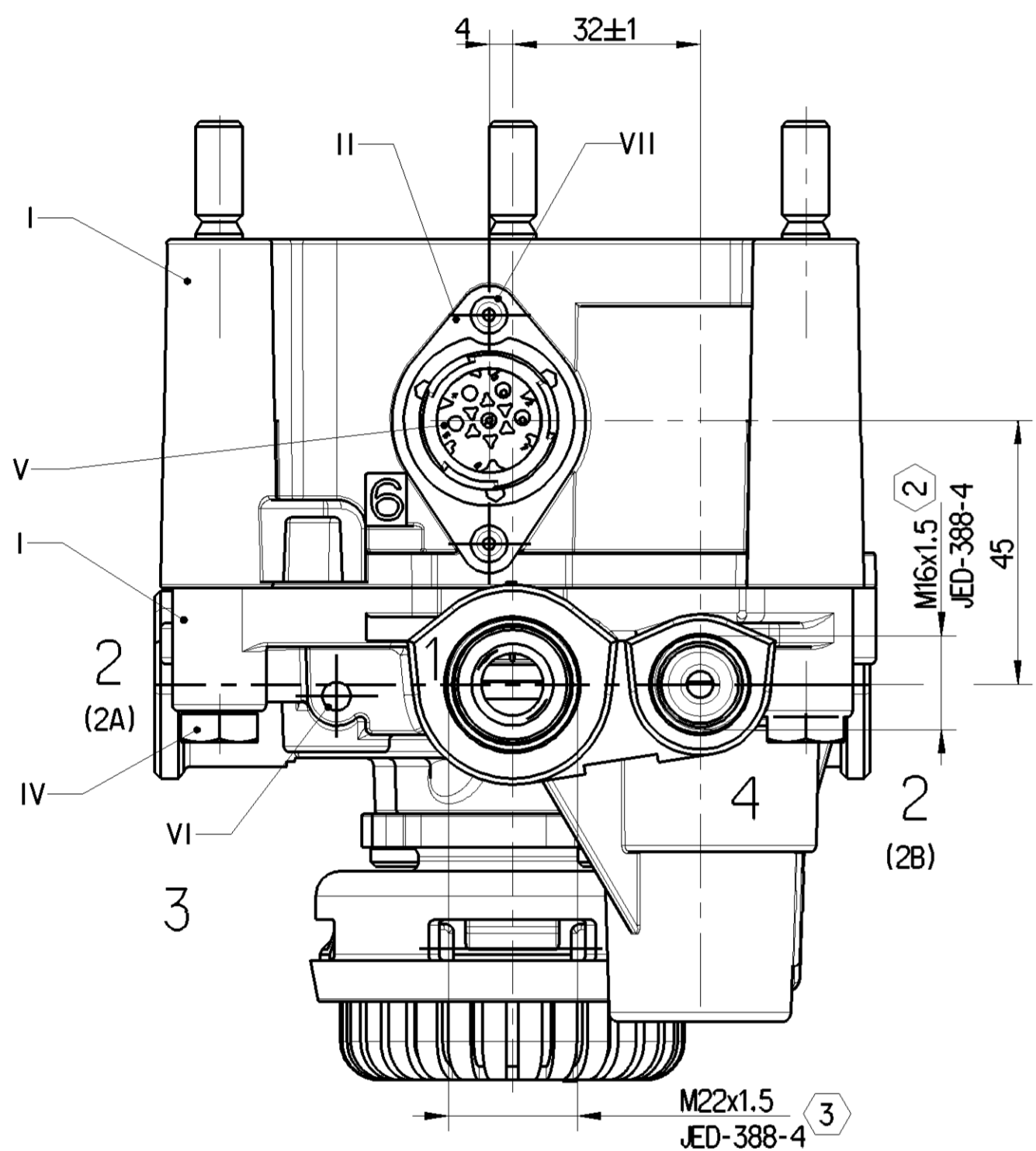
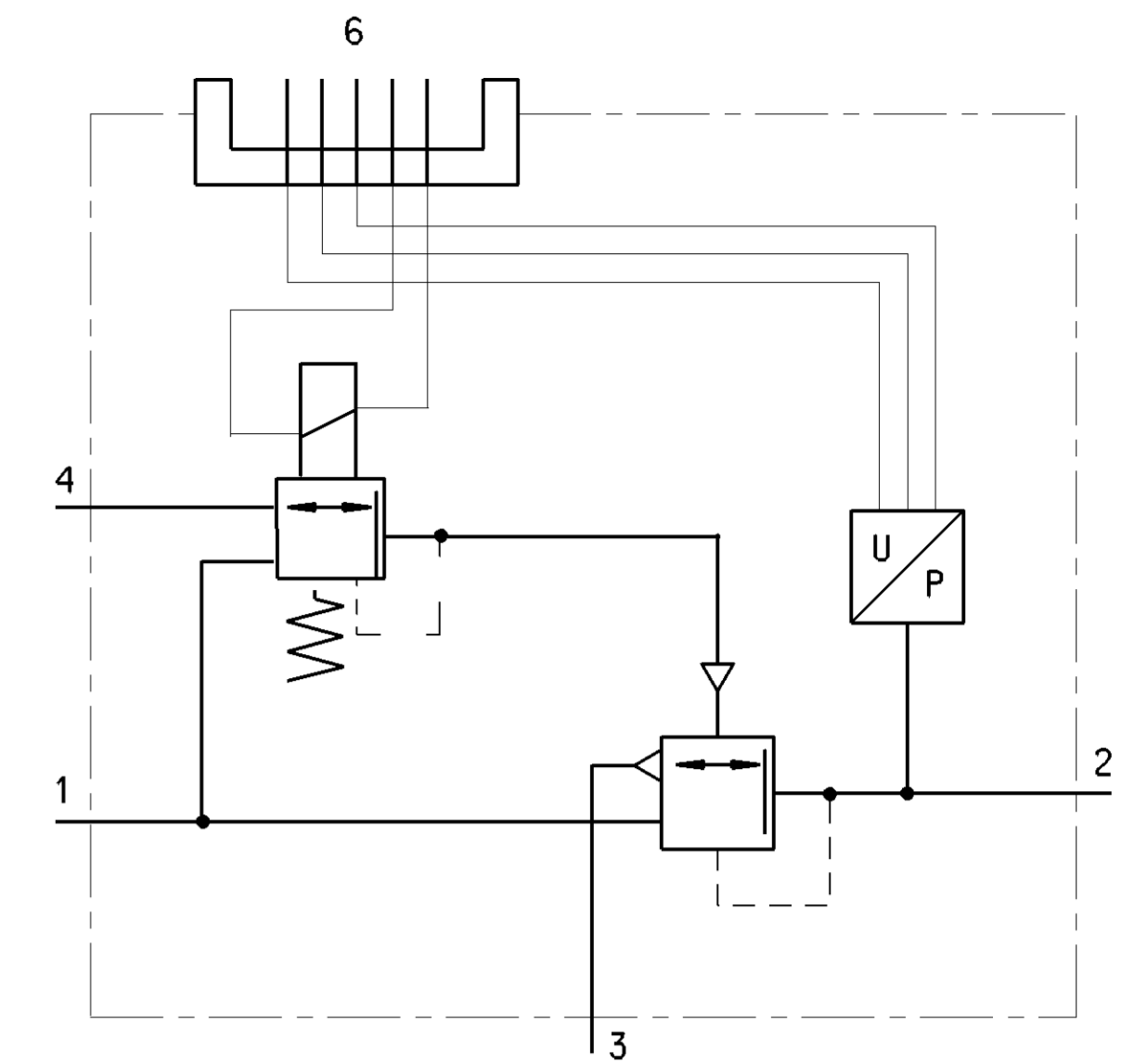


A	MATERIAL AND SURFACE PROTECTION MATERIAL UND OBERFLAECHENSCHUTZ MATERIAU ET PROTECTION SUPERFICIELLE MATERIALE E PROTEZIONE SUPERFICIALE	PORT ANSCHLUSS ORIFICE ORIFIZIO	FUNCTION FUNKTION FONCTION FUNZIONE
I	Al JED-029M1 / JED-259-3	6	
II	PA6.6 JED-359-1		PRESSURE SENSOR, DRUCKSENSOR
III	PA6.6 JED-354-1		CAPTEUR DE PRESSION, SENSORE DI PRESSIONE
IV	Fe JED-051M4 / JED-256-1	6.1	Ue +
V	Cu Ni Si / Gal Sn1 JED-570-516	6.2	GROUND, MASSE, MASSE, MASSA
VI	Fe JED-024M0	6.3	SIGNAL, SIGNAL, SIGNAL, SEGNALE
VII	Al Mg2 Mn0.3		
VIII	Al JED-077-1 / JED-007-1		SOLENOID, MAGNET, AIMANT, SOLENOIDE
IX		6.4	HIGH, HIGH, HIGH, ALTO
X		6.5	LOW, LOW, LOW, BASSO



- ④ CONNECTION CLOSED  
ANSCHLUSS GESCHLOSSEN  
CONNEXION FERME  
CONNESSIONE CHIUSO
  - 1 SUPPLY  
ENERGIEZUFUSS VOM VORRAT  
ALIMENTATION  
ALIMENTAZIONE
  - 2 DELIVERY  
ENERGIEABFLUSS IN DIE ARBEITSLEITUNG  
UTILISATION  
MANDATA
  - 3 EXHAUST  
ANSCHLUSS ATMOSPHAERE  
ECHAPPEMENT  
SCARICO
  - 4 BACK UP PORT  
REDUNDAZANSCHLUSS  
ORIFICE DE REDONDANCE  
ATTACCO DI RIDONDANZA
  - 6 ELECTRICAL CONTROL  
ELEKTRISCHER STEUERANSCHLUSS  
COMMANDE ELECTRIQUE  
COMANDO ELETTRICO
- PRESSURE SENSOR PORT  
DRUCKSENSOR ANSCHLUSS  
PORT DE CAPTEUR DE PRESSION  
ATTACCO DI SENSORE DI PRESSIONE

- DATA MATRIX CODING
- DATE OF MANUFACTURE (WW/YY)
- PROVIA IDENTIFICATION NUMBER

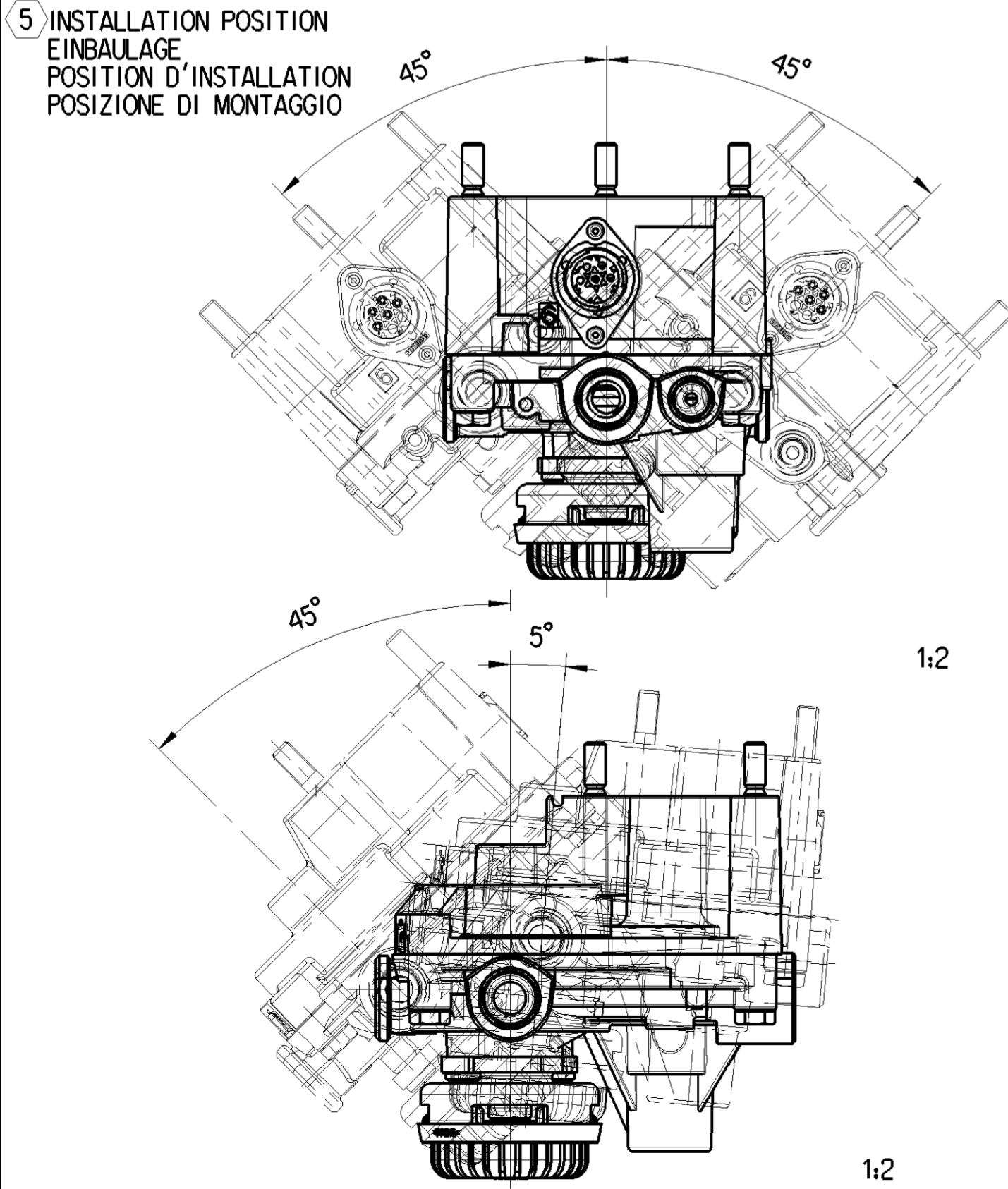
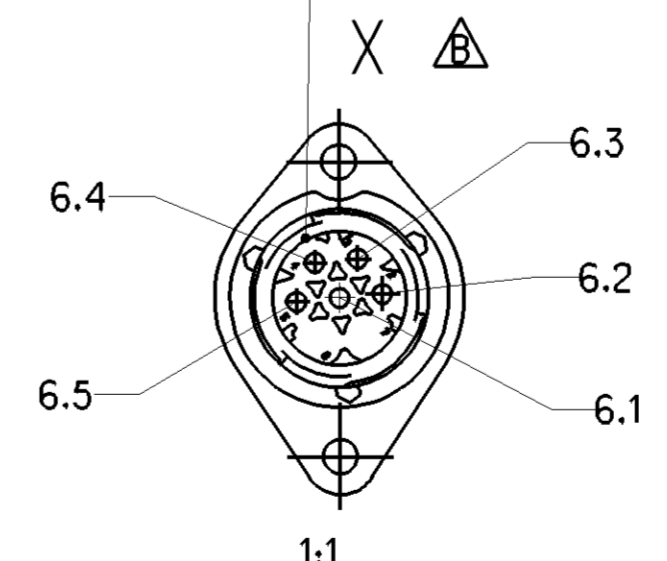
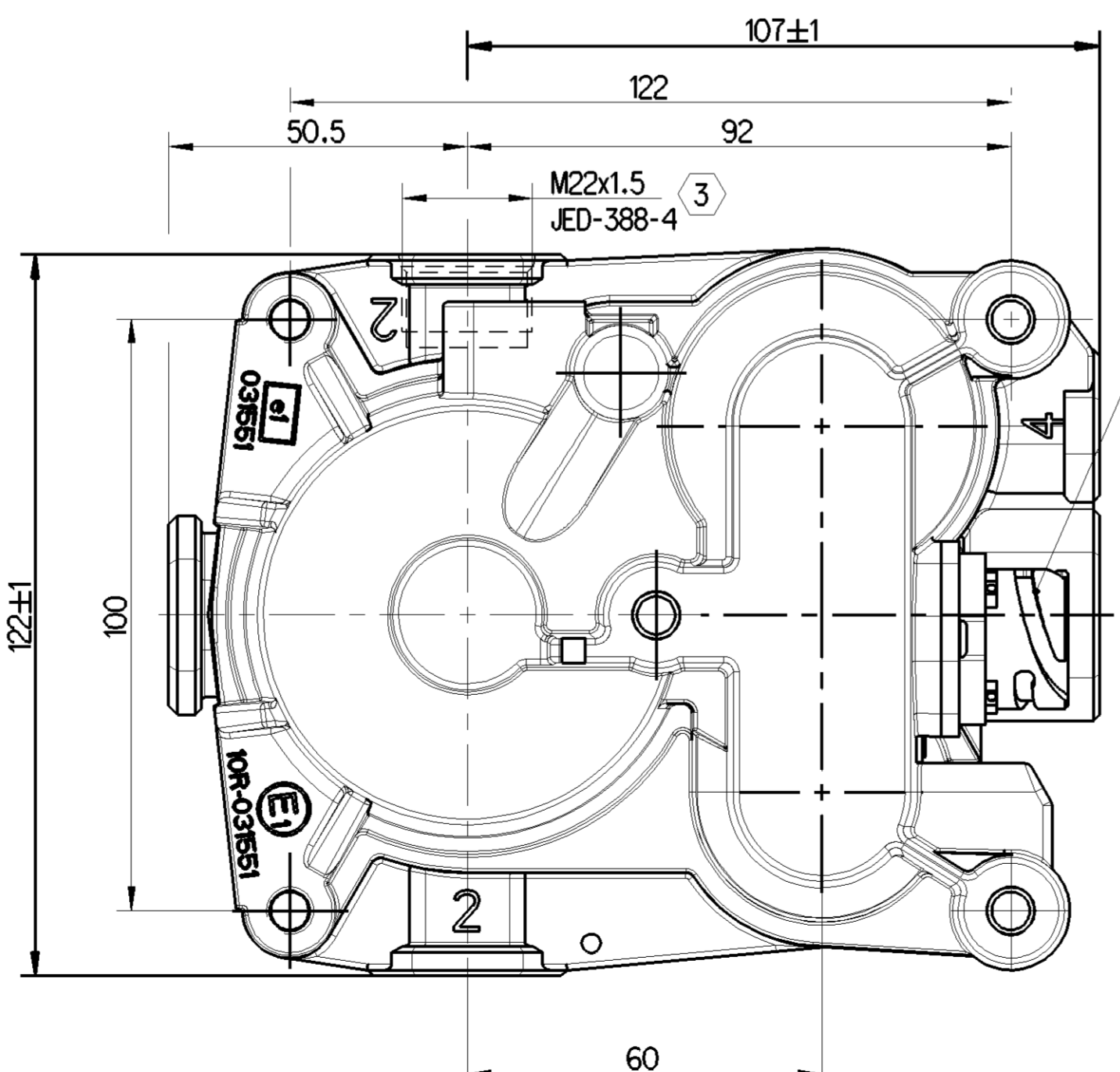
INSPECTION MARK  
PRUEFZEICHEN  
MARQUE DE CONTRÔLE  
STAMPA DI COLLAUDO

: (E) 10 R - 031551

OVERALL DIMENSIONS  
AUSSENABMESSUNGEN DIN 72585  
DIMENSIONS HORS TOUT  
MISURE ESTERNE

INSIDE DIMENSIONS  
INNENABMESSUNGEN NACH  
DIMENSIONS INTERIEUR  
MISURE INTERNO

375 110 132 4,  
INDEX -



MAX. TORQUE  
MAX. ANZUGSMOMENT  
COUPLE MAXI DE SERRAGE  
COPPIA MASSIMA DI SERRAGGIO

26 Nm

TORQUE ACCORDING TO JED-366  
ANZUGSMOMENT ENTSPRECHEND JED-366  
COUPLE DE SERRAGE SUIVANT JED-366  
COPPIA DI SERRAGGIO SECONDO JED-366

MAX. 34 Nm

MAX. 53 Nm

General Specification: ISO 8015, JED-334-1, Size ISO 14405 LP		Copyright ZF*	
Further Technical Data: Product Specification	Doc. Code: 035	Date: 2023-10-19	Signature: Murugan
Sheet: 1 To 25	General Tolerances JED-261	Checked: Powlowski	Material No.: PRO 643 101 0
Range of Nominal Dimensions ( ± mm)	Class 1) ± 0.5	Dimensions in mm	Date of first issue: 2022-02-02
> 50 > 180	± 1	Mass	Doc. Code: 005
> 180 > 400	± 1.5	Scale	Language: EN
> 400	± 2	2.2 kg	Sheet: 1/2
Class 2) ± 0.5	± 1	1:1	
Class 3) ± 1	± 2	Size	
Class 4) ± 2	± 3	CAD System	
Class 5) ± 3	± 4	A 1	
Class 6) ± 4	± 5	CREO	
Class 7) ± 5	± 6.5		
Class 8) ± 6.5	± 8		
Class 9) ± 8	± 10		
Class 10) ± 10	± 12		
Class 11) ± 12	± 15		
Class 12) ± 15	± 20		
Class 13) ± 20	± 25		
Class 14) ± 25	± 30		
Class 15) ± 30	± 40		
Class 16) ± 40	± 50		
Class 17) ± 50	± 63		
Class 18) ± 63	± 80		
Class 19) ± 80	± 100		
Class 20) ± 100	± 125		
Class 21) ± 125	± 160		
Class 22) ± 160	± 200		
Class 23) ± 200	± 250		
Class 24) ± 250	± 315		
Class 25) ± 315	± 400		
Class 26) ± 400	± 500		
Class 27) ± 500	± 630		
Class 28) ± 630	± 800		
Class 29) ± 800	± 1000		
Class 30) ± 1000	± 1250		
Class 31) ± 1250	± 1600		
Class 32) ± 1600	± 2000		
Class 33) ± 2000	± 2500		
Class 34) ± 2500	± 3150		
Class 35) ± 3150	± 4000		
Class 36) ± 4000	± 5000		
Class 37) ± 5000	± 6300		
Class 38) ± 6300	± 8000		
Class 39) ± 8000	± 10000		
Class 40) ± 10000	± 12500		
Class 41) ± 12500	± 16000		
Class 42) ± 16000	± 20000		
Class 43) ± 20000	± 25000		
Class 44) ± 25000	± 31500		
Class 45) ± 31500	± 40000		
Class 46) ± 40000	± 50000		
Class 47) ± 50000	± 63000		
Class 48) ± 63000	± 80000		
Class 49) ± 80000	± 100000		
Class 50) ± 100000	± 125000		
Class 51) ± 125000	± 160000		
Class 52) ± 160000	± 200000		
Class 53) ± 200000	± 250000		
Class 54) ± 250000	± 315000		
Class 55) ± 315000	± 400000		
Class 56) ± 400000	± 500000		
Class 57) ± 500000	± 630000		
Class 58) ± 630000	± 800000		
Class 59) ± 800000	± 1000000		
Class 60) ± 1000000	± 1250000		
Class 61) ± 1250000	± 1600000		
Class 62) ± 1600000	± 2000000		
Class 63) ± 2000000	± 2500000		
Class 64) ± 2500000	± 3150000		
Class 65) ± 3150000	± 4000000		
Class 66) ± 4000000	± 5000000		
Class 67) ± 5000000	± 6300000		
Class 68) ± 6300000	± 8000000		
Class 69) ± 8000000	± 10000000		
Class 70) ± 10000000	± 12500000		
Class 71) ± 12500000	± 16000000		
Class 72) ± 16000000	± 20000000		
Class 73) ± 20000000	± 25000000		
Class 74) ± 25000000	± 31500000		
Class 75) ± 31500000	± 40000000		
Class 76) ± 40000000	± 50000000		
Class 77) ± 50000000	± 63000000		
Class 78) ± 63000000	± 80000000		
Class 79) ± 80000000	± 100000000		
Class 80) ± 100000000	± 125000000		
Class 81) ± 125000000	± 160000000		
Class 82) ± 160000000	± 200000000		
Class 83) ± 200000000	± 250000000		
Class 84) ± 250000000	± 315000000		
Class 85) ± 315000000	± 400000000		
Class 86) ± 400000000	± 500000000		
Class 87) ± 500000000	± 630000000		
Class 88) ± 630000000	± 800000000		
Class 89) ± 800000000	± 1000000000		
Class 90) ± 1000000000	± 1250000000		
Class 91) ± 1250000000	± 1600000000		
Class 92) ± 1600000000	± 2000000000		
Class 93) ± 2000000000	± 2500000000		
Class 94) ± 2500000000	± 3150000000		
Class 95) ± 3150000000	± 4000000000		
Class 96) ± 4000000000	± 5000000000		
Class 97) ± 5000000000	± 6300000000		
Class 98) ± 6300000000	± 8000000000		
Class 99) ± 8000000000	± 10000000000		
Class 100) ± 10000000000	± 12500000000		

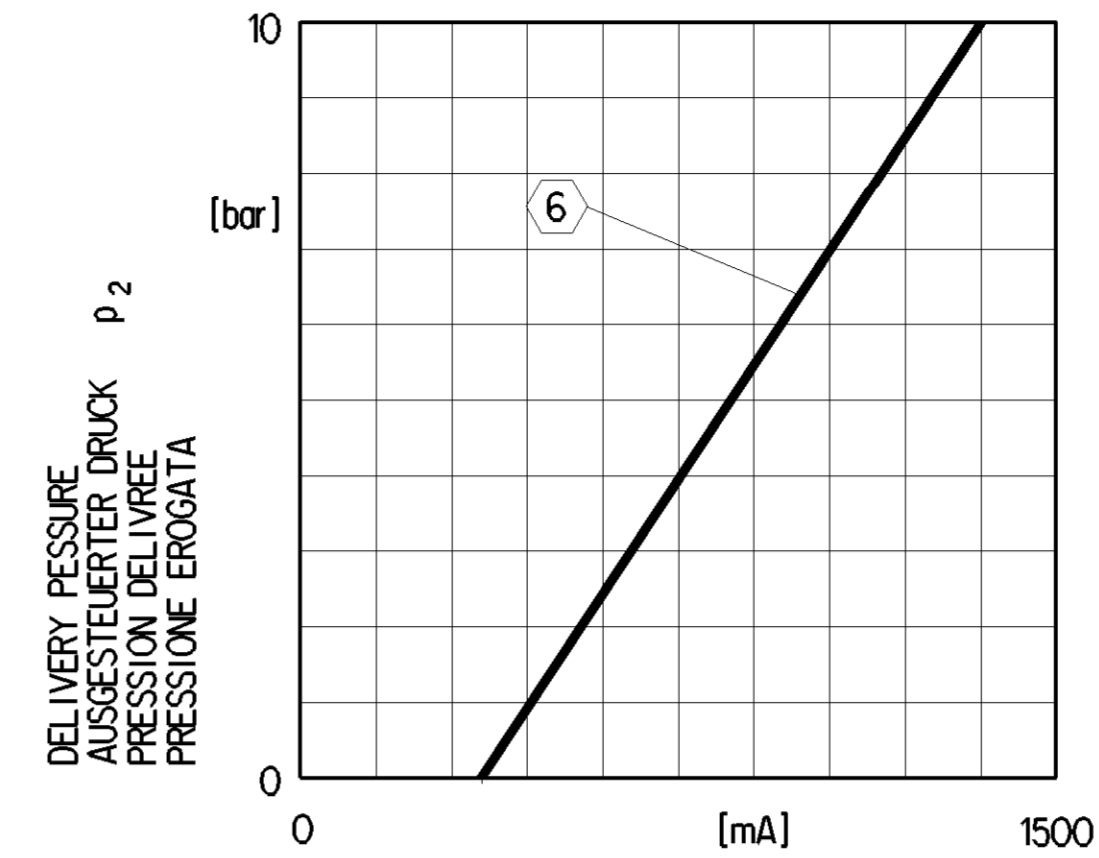
DEVICE IS DESIGNED FOR USE IN ZF SYSTEMS AND OTHER DEDICATED RELEASED APPLICATIONS.  
POWER SUPPLY AND CONTROL ARE ALWAYS PROVIDED BY ZF CENTRAL MODULE.  
STANDALONE USAGE NOT ALLOWED.

Non è permesso copiare o riprodurre questo documento, né utilizzare il contenuto in modo commerciale, senza permesso scritto dalla ZF. È vietata espressamente la ristampa o l'uso non autorizzato. Toute réimpression ou utilisation non autorisée sans la permission écrite de la ZF est formellement interdite. Toute utilisation non autorisée sera considérée comme acte de contrefaçon et sera poursuivie en justice.

THE VALVE CORRESPONDS TO THE REGULATIONS FOR ELECTROMAGNETIC DEVICES ACCORDING TO VDE 0580  
 GERÄT ENTSPRICHT DEN BESTIMMUNGEN FÜR ELEKTROMAGNETISCHE GERÄTE NACH VDE 0580  
 LA VALVE CORRESPOND AUX CONDITIONS POUR DES APPAREILS ELECTROMAGNETIQUES SUIVANT VDE 0580  
 LA VALVOLA CORRISPONDE ALLE CONDIZIONI PER APPARECCHI ELETTROMAGNETICI SECONDO VDE 0580

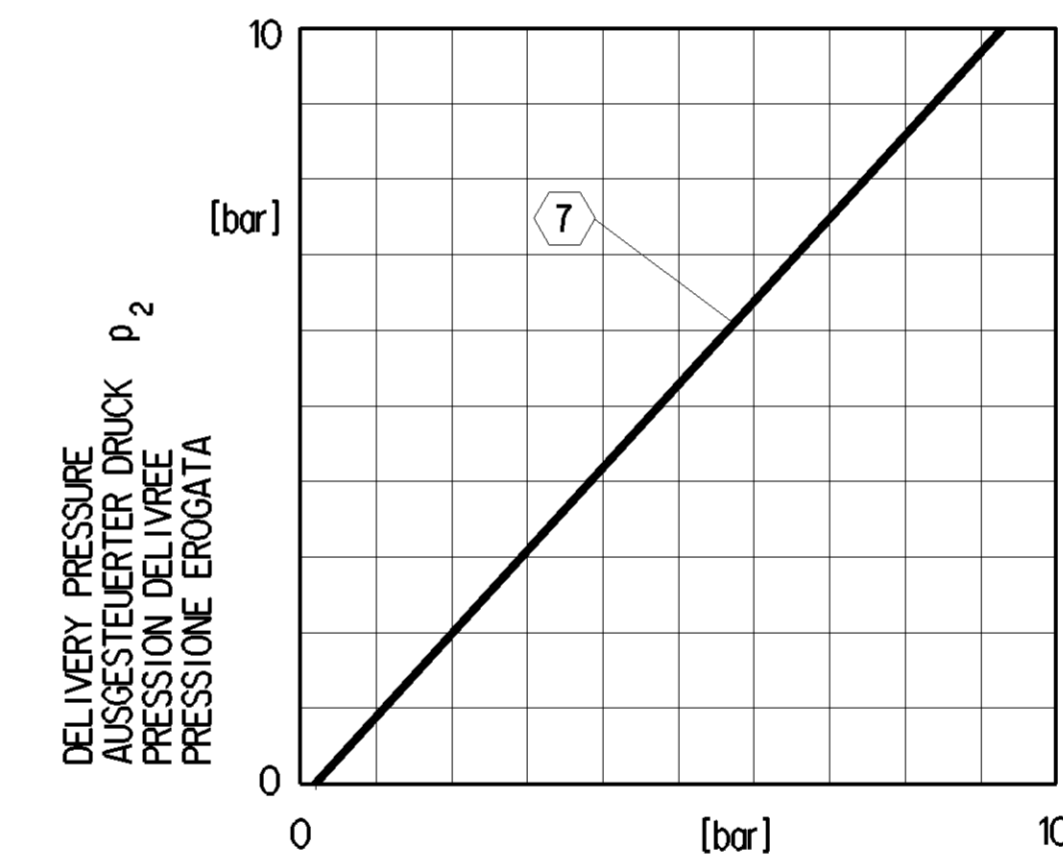
- 1.1 WORKING MEDIUM : AIR (CONTAINING WATER, OIL AND ALCOHOL)  
 ARBEITSMEDIUM : LUFT (WASSER-, OEL- UND ALKOHOLHALTIG)  
 FLUIDE D'UTILISATION: AIR (CHARGE D'EAU, D'HUILE ET D'ALCOOL)  
 FLUIDO DI ESERCIZIO : ARIA (CONTENENTE ACQUA, OLIO ED ALCOOL)
- 1.2 AMBIENT ENVIRONMENT: AIR (CONTAINING WATER, SALT, DUST AND OIL)  
 UMGEBUNGSMEDIUM : LUFT (WASSER-, SALZ-, STAUB- UND OELHALTIG)  
 FLUIDE AMBIENT : AIR (CHARGE D'EAU, DE SEL, DE POUSSIERE ET D'HUILE)  
 FLUIDO AMBIENTE : ARIA (CONTENENTE ACQUA, SALE, POLVERO ED OLIO)
- 2.1 THERMAL RANGE OF APPLICATION UNDER NORMAL AMBIANT CONDITIONS :  
 THERMISCHER ANWENDUNGSBEREICH UNTER NORMALEN UMGEBUNGSBEDINGUNGEN: -40°...+80°C  
 PLAGE DE TEMPERATURE EN UTILISATION CONTINUE DE :  
 CAMPO D'APPLICAZIONE TERMICA NELLE NORMALI CONDIZIONE AMBIENTALI :
- 2.2 SHORT TERM RESISTANCE TO HEAT : WITHOUT FUNCTION  
 KURZZEITIGE WAERMEBESTAENDIGKEIT : +110°C OHNE FUNKTION  
 RESISTANCE THERMIQUE TEMPORAIRE : (p<sub>1</sub> = 0 bar, max. 1h) SANS FONCTION  
 RESISTANZA TERMICA PER BREVE PERIODO: SENZA FUNZIONE
- 3.1 WORKING PRESSURE (SUPPLY) :  
 BETRIEBSDRUCK (VORRAT) : p<sub>1</sub> = 5...10 bar  
 PRESSION D'UTILISATION (ALIMENTATION) :  
 PRESSIONE DI ESERCIZIO (ALIMENTAZIONE) :
- 3.2 MAX. PERMISSIBLE WORKING PRESSURE (WITHOUT FUNCTION) (SUPPLY) :  
 MAX. ZULAESSIGER BETRIEBSDRUCK (OHNE FUNKTION) (VORRAT) : p<sub>1</sub> = 13 bar  
 PRESSION D'UTILISATION MAXI ADMISSIBLE (SANS FONCTION) (ALIMENTATION) :  
 PRESSIONE DI ESERCIZIO MAX. AMMISSIBILE (SENZA FUNZIONE) (ALIMENTAZIONE) :
- 3.3 OUTPUT PRESSURE :  
 AUSGANGSDRUCK : p<sub>2</sub> = 10 bar / ED = 100%  
 PRESSION DE SORTIE :  
 PRESSIONE D'USCITA :
- 4 MIN. FLOW PASSAGE / NOMINAL DIAMETER : PORT 1 - 2 :  
 MIN. DURCHFLOSSEFFNUNG / NENNWEITE : ANSCHLUSS 1 - 2 : 78.5 mm<sup>2</sup> / NW 10  
 MIN. ORIFICE CALIBRE / DIAMETRE NOMINAL : ORIFICE 1 - 2 :  
 MIN. PASSAGIO LIBERO / DIAMETRO NOMINALE: ORIFIZIO 1 - 2 :  
 PORT 2 - 3 :  
 ANSCHLUSS 2 - 3 : 78.5 mm<sup>2</sup> / NW 10  
 ORIFICE 2 - 3 :  
 ORIFIZIO 2 - 3 :
- 5 VOLTAGE :  
 SPANNUNG : 24 +8/-6.5 V  
 TENSION :  
 TENSIONE :
- 5.1 MAX. CONTINUOUS VOLTAGE BETWEEN PORTS 6,4 AND 6,5 : 8 V  
 MAX. DAUERSPANNUNG ZWISCHEN ANSCHLUSS 6,4 UND 6,5 : 8 V  
 TENSION PERMANENTE MAX. ENTRE ORIFICE 6,4 ET 6,5 : 8 V  
 TENSIONE PERMANENTE MAX. FRA ORIFICIO 6,4 E 6,5 : 8 V
- 6 MAX. CURRENT (SOLENOID) : DIRECT CURRENT  
 MAX. STROM (MAGNET) : I<sub>max</sub> = 1.4 A GLEICHSTROM  
 COURANT MAX. (AIMANT) : COURANT CONTINU  
 CORRENTE MAX. (SOLENOIDE) : CORRENTE CONTINUA
- 7 DEGREE OF PROTECTION : COMPLETE DEVICE WITH MOUNTED COUPLING :  
 SCHUTZART : KOMPLETTES GERÄET MIT MONTIERTER KUPPLUNG : IP 6K 6K, IP 6K 9K  
 DEGRE DE PROTECTION : APPAREIL COMPLET AVEC L' ACCOUPLEMENT MONTE :  
 GRADO DI PROTEZIONE : APPARECCHIO COMPLETO CON ACCOPPIAMENTO MONTATO :  
 ELECTRICTERMINALS WITH MOUNTED COUPLING :  
 ELEKTRISCHE ANSCHLUESSE MIT MONTIERTER KUPPLUNG : IP 6K 7  
 BORNES ELECTRIQUES AVEC L' ACCOUPLEMENT MONTE :  
 TERMINALI ELETTRICI CON ACCOPPIAMENTO MONTATO :
- 8 PROTECTION CLASS :  
 SCHUTZKLASSE : IIII  
 CLASSE DE PROTECTION:  
 CLASSE DI PROTEZIONE:

FURTHER TECHNICAL DATA SEE PRODUCT SPECIFICATION.  
 WEITERE TECHNISCHE DATEN SIEHE PRODUKT SPEZIFIKATION.  
 POUR INFORMATIONS COMPLEMENTAIRES VOIR LES SPECIFICATIONS DU PRODUIT.  
 PER INFORMAZIONI ULTERIORI VEDI LA SPECIFICAZIONE DEL PRODOTTO.



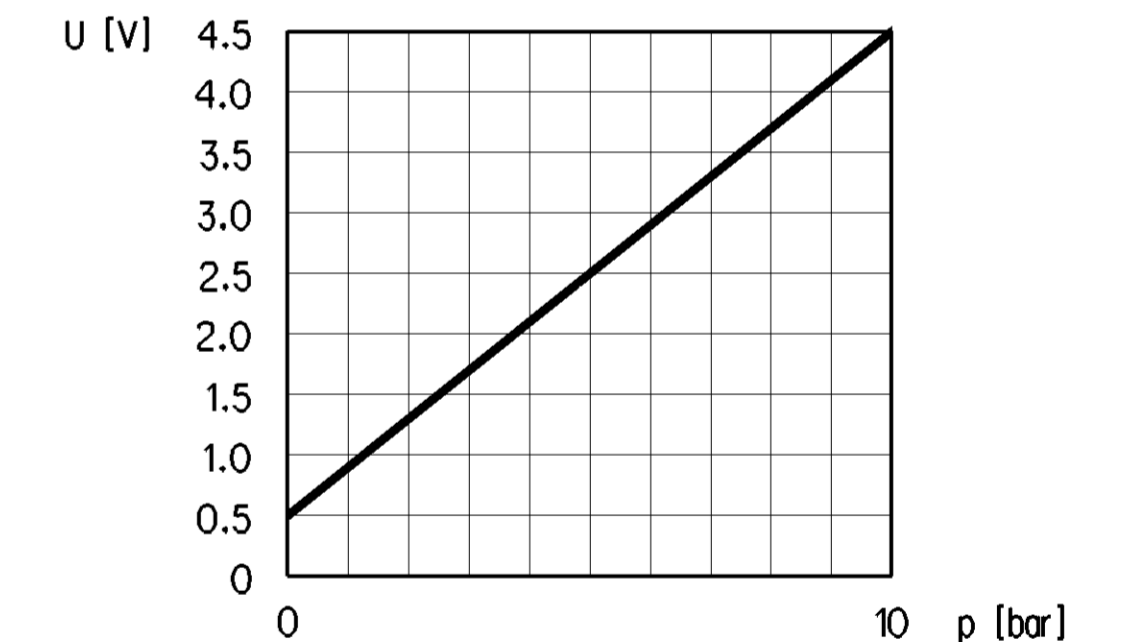
CURRENT AT SOLENOID  
 MAGNETSTROM  
 COURANT ELECTRO-AIMANT  
 CORRENTE ATTRAVERSO L' ELETTROMAGNETE I<sub>6</sub>

- 6 CHARACTERISTIC CURVE : FAILURE OF BACK UP PORT 4  
 KENNLINIE : AUSFALL DES REDUNDANZANSCHLUSSES 4  
 COURBE CARACTERISTIQUE : DEFAILLANCE DU ORIFICE DE REDONDANCE 4  
 CURVA CARATTERISTICA : DIFETTO DELL' ATTACCO DI RIDONDANZA 4
- 7 CHARACTERISTIC CURVE : FAILURE OF ELECTRICAL CONTROL 6  
 KENNLINIE : AUSFALL DES STEUERANSCHLUSSES 6  
 COURBE CARACTERISTIQUE : DEFAILLANCE DU COMMANDE ELECTRIQUE 6  
 CURVA CARATTERISTICA : DIFETTO DEL COMANDO ELETTRICO 6



CONTROL PRESSURE  
 STEUERDRUCK  
 PRESSION DE COMMANDE  
 PRESSIONE DI COMANDO p<sub>4</sub>

CHARACTERISTIC CURVE PRESSURE SENSOR  
 KENNLINIE DRUCKSENSOR  
 COURBE CARACTERISTIQUE CAPTEUR DE PRESSION  
 CURVA CARATTERISTICA SENSORE DI PRESSIONE



Non e permesso copiare o riprodurre questo documento, ne utilizzare il contenuto o riprodurre, comunicare o terzi  
 Toute reproduction ou reproduction de son contenu sans autorisation est interdite.  
 E' vietata espressamente la ristampa o l'uso non autorizzato di questo documento, in tutto o in parte.  
 Copying of this document and giving it to others and the use or communication of the contents thereof, are forbidden without express  
 permission of the manufacturer. The manufacturer shall not be held liable for any damage or loss of data or information resulting from the use of this document or the use of the information contained therein.  
 Alle Rechte für den Fall der Reproduktion oder Verbreitung oder sonstiger Vervielfältigung vorbehalten.  
 Toute communication ou reproduction de ce document, toute exploitation ou communication de son contenu sans autorisation, sont  
 interdites. Toute réimpression ou utilisation non autorisée sans la permission écrite du fabricant est formellement interdite.  
 Weitergabe sowie Vervielfältigung dieses Dokuments, Verwertung und Mitteilung desselben, ist ohne schriftliche Genehmigung, sowie  
 die Verbreitung der Inhalte durch Kopieren, Drucken oder sonstiger Weise, ist ausdrücklich untersagt.  
 All Rights Reserved for the reproduction or distribution or otherwise copying, communication or use of this document or the information contained therein.

General Specifications: ISO 8015, JED-334-1, Size ISO 14405 LP		Copyright z*	
Further Technical Data: Product Specification		Date	Signature
Doc. Code: 035	Sheet: 1 To 25	2023-10-19	Murugan
General Tolerances JED-261		Checked: Pawlowski	
Range of Nominal Dimensions ( ± mm)			
Class	1)	< 50	> 50 > 180 > 180 > 400
Fine		±0.5	±1 ±1.5 ±2
Medium	X	±1	±2 ±3 ±4 ±3°
Coarse		±2	±3.5 ±5 ±6.5
Tapped Holes acc. JED-388-4		Dimensions in mm	
1) Tolerance Class Applied Crossmarked		Mass	Scale
		2.2 kg	
		Size	CAD System
		A 1	CREO
		Material No.	
		PRO 643 101 0	
		Date of first issue:	2022-02-02
		Doc. Code	Language
		005	EN
		Revision	Techn. Resp.
		B	5220_AM
		Replacement for	