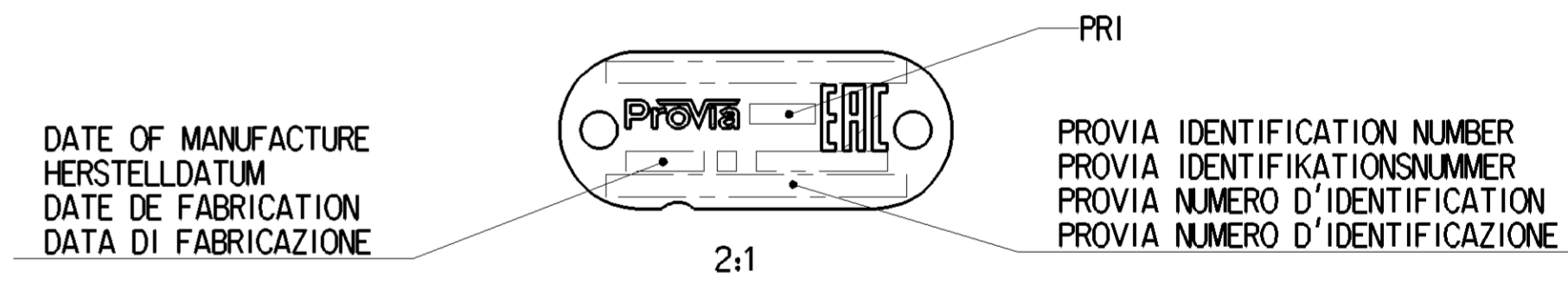
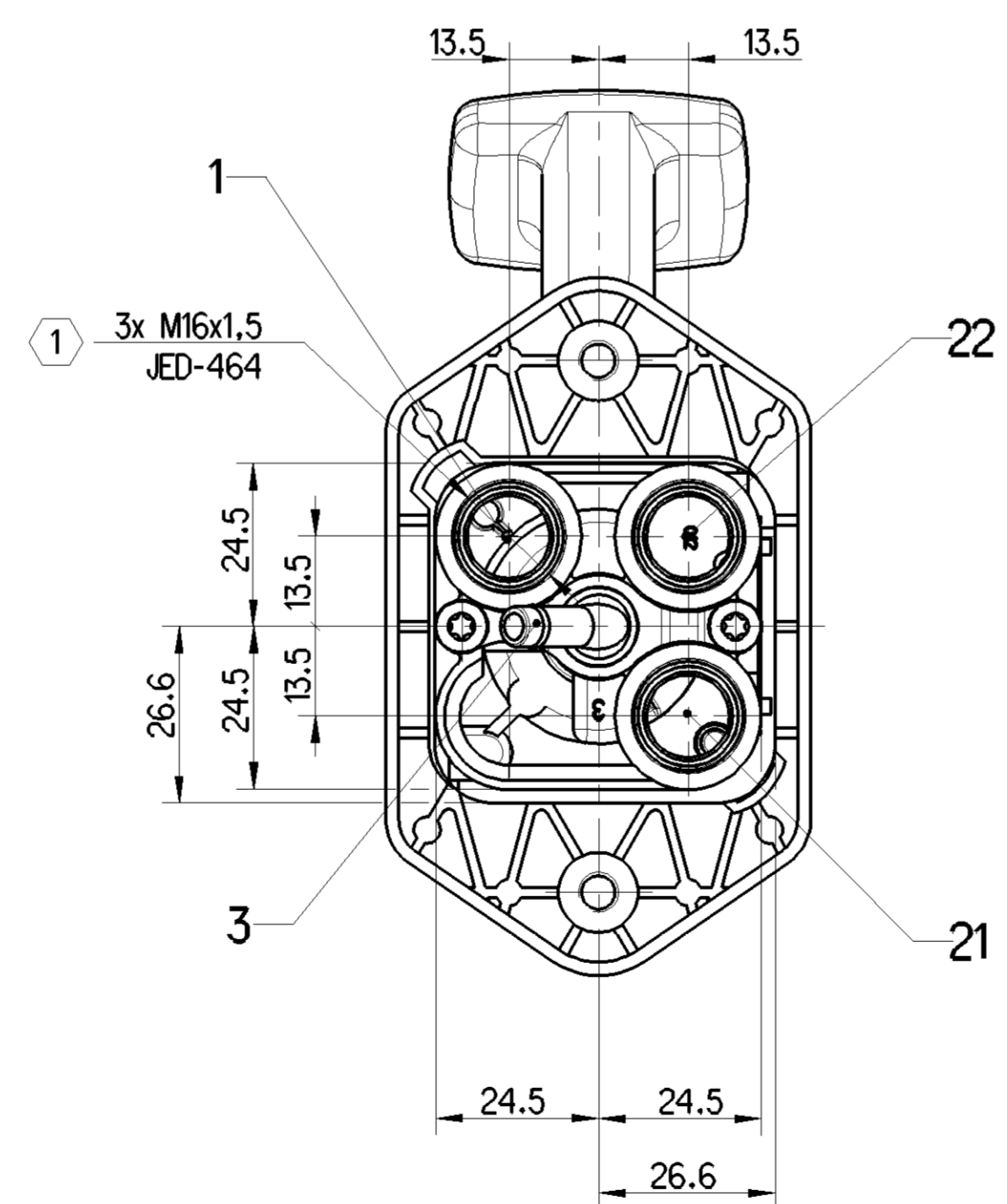
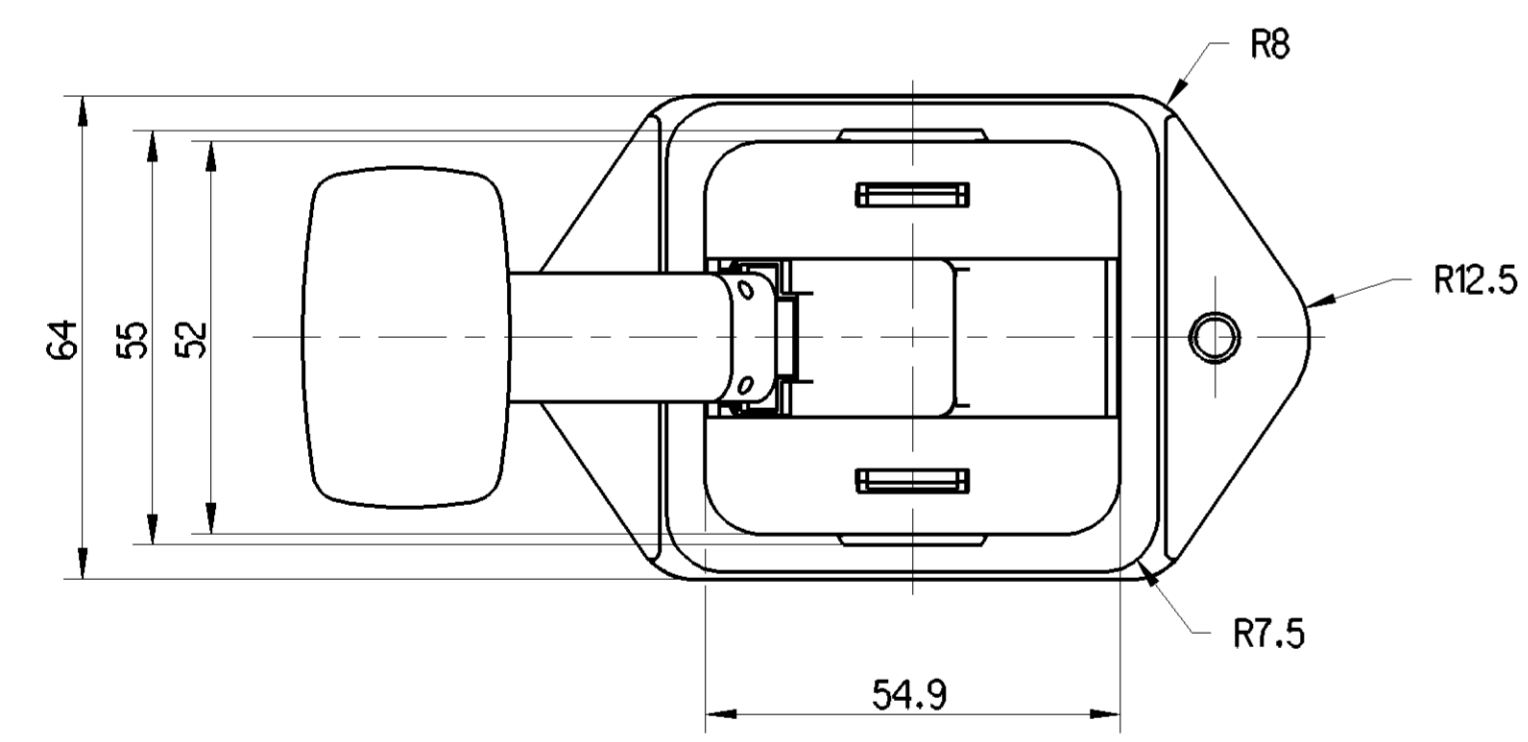
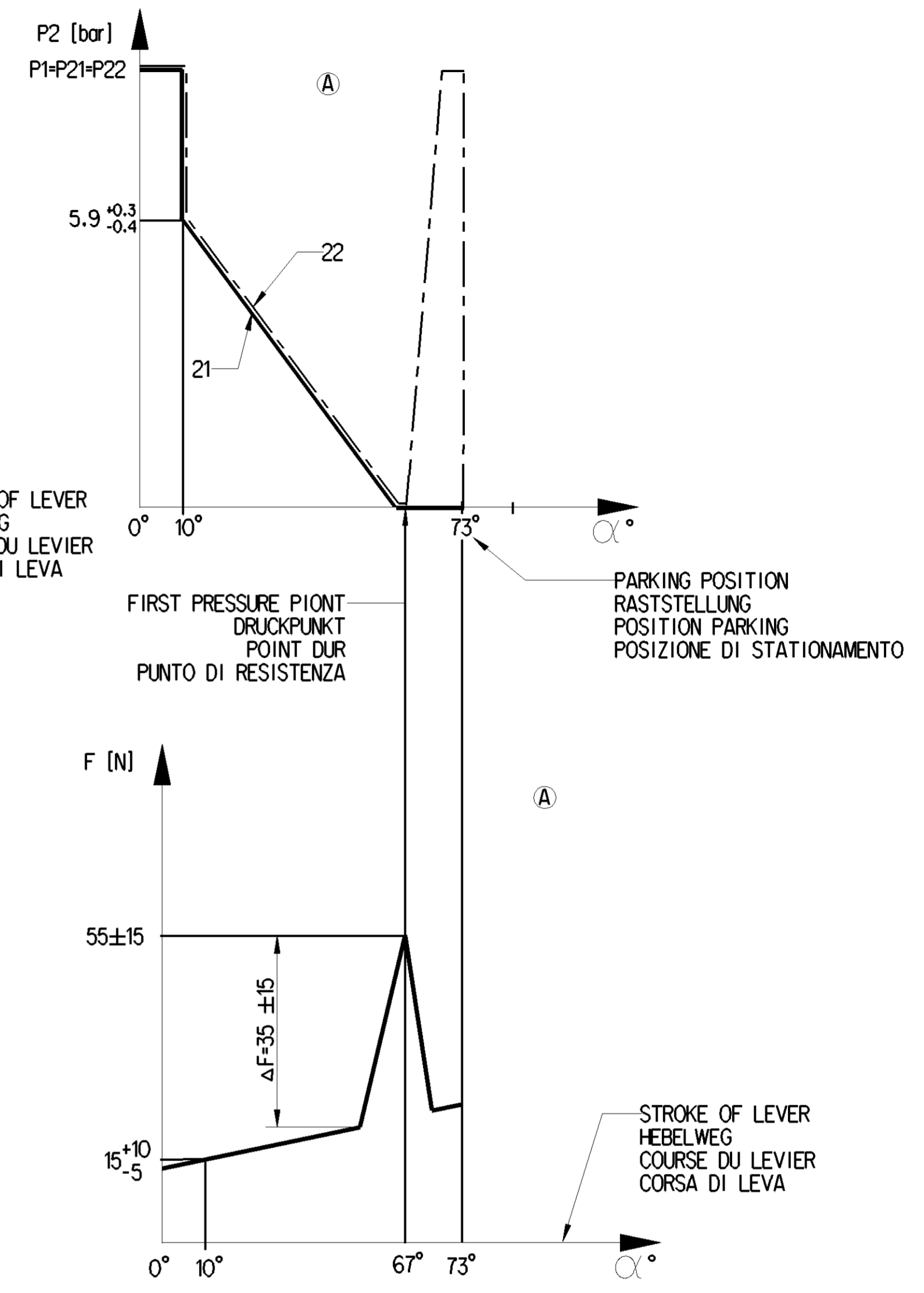
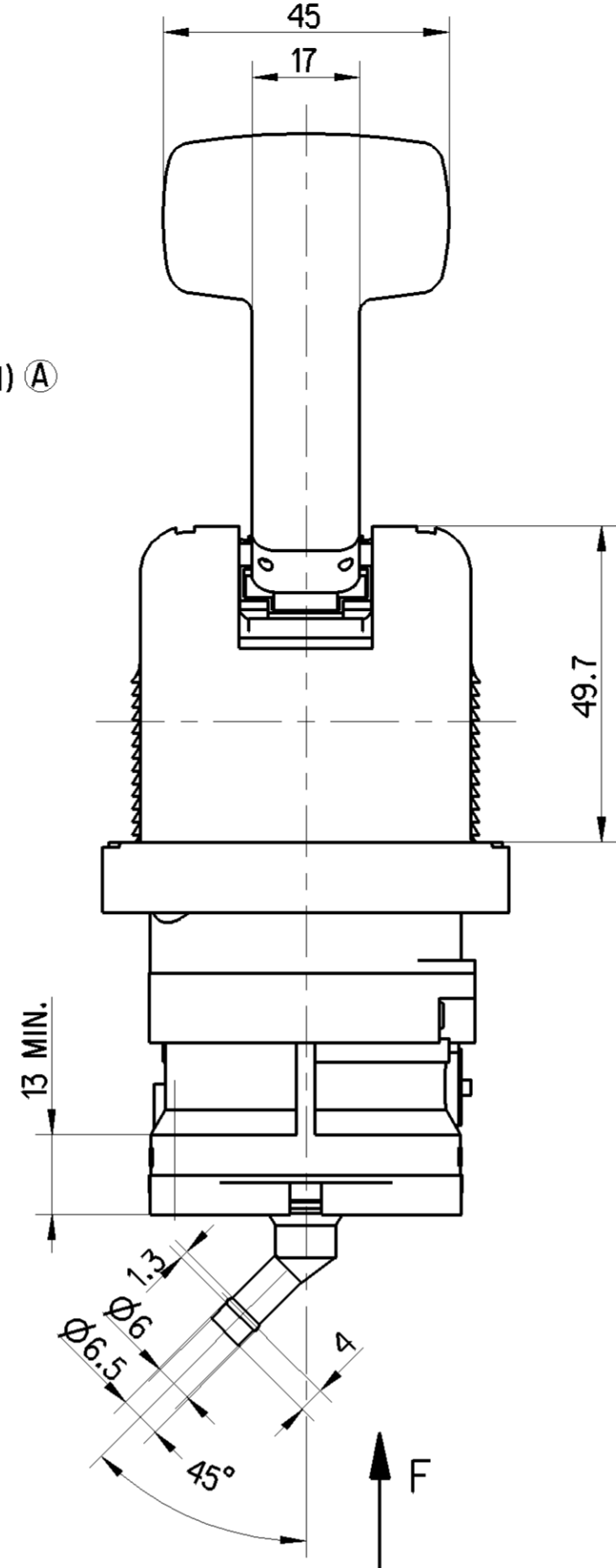
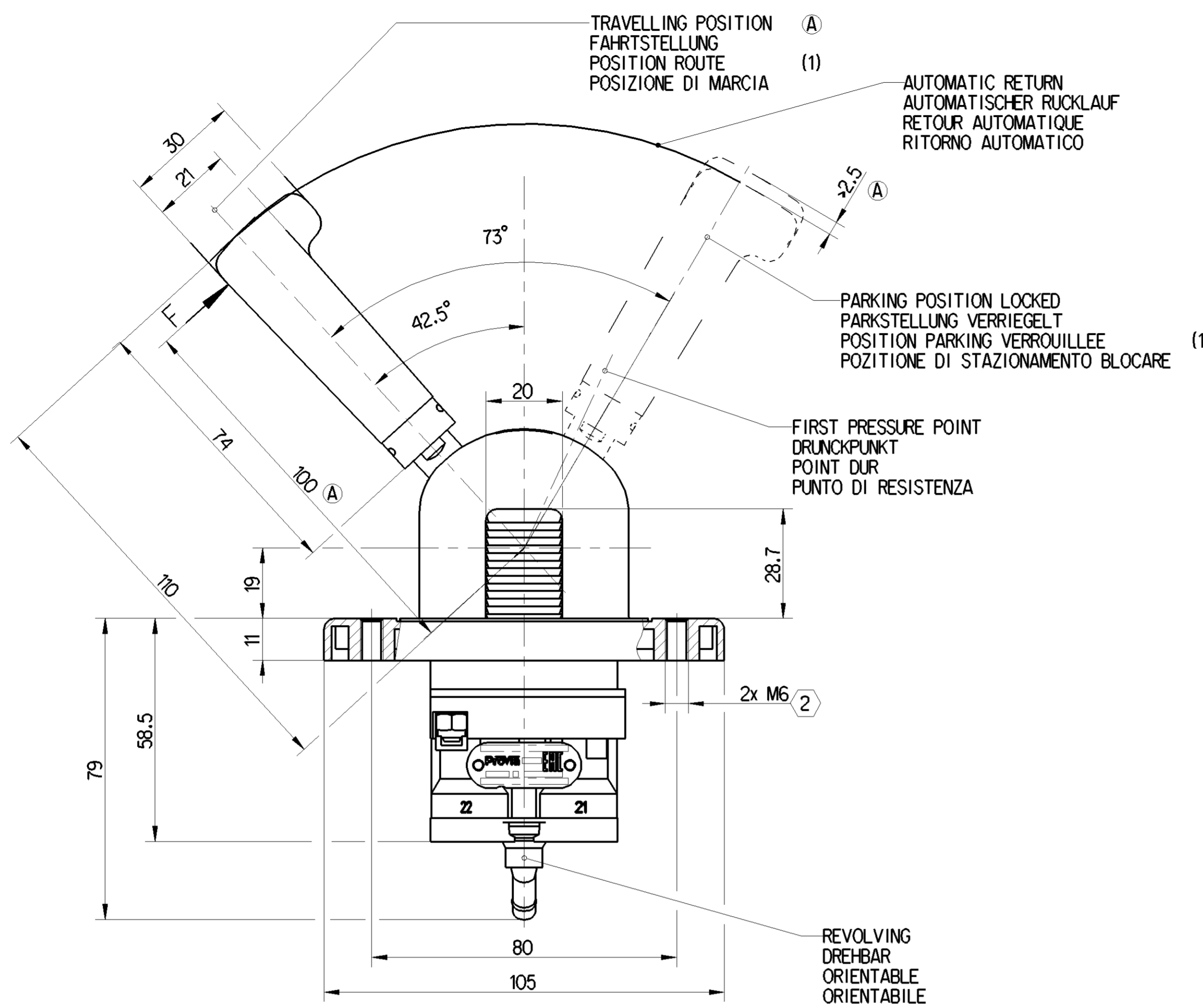
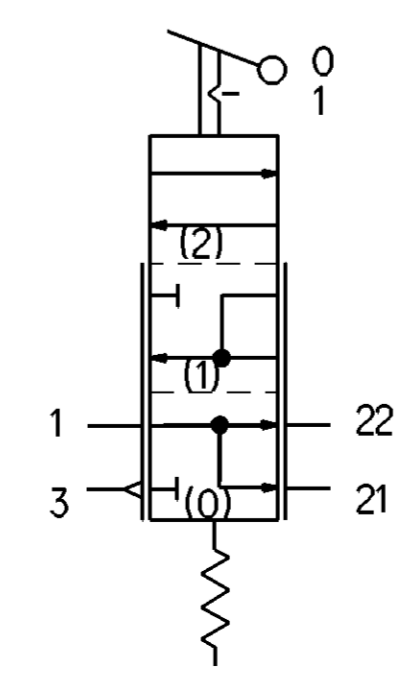


DELIVERED PRESSURE DIAGRAM
 AUSGESTEUERTER DRUCKDIAGRAM
 DIAGRAMME DES PRESSION DELIVREES
 DIAGRAMMA PRESSIONE FROGATA FOR
 FLUER PER P1 = 10 bar
 POUR
 FROGATA



3 THE LOCKING DEVICE MUST AUTOMATICALLY AND SAFELY LOCK THE HANDLE IN THE PARKING POSITION
 DIE VERRASTUNG MUSS DEN HEBEL AUTOMATISCH UND SICHER IN DER PARKPOSITION HALTEN
 LA BUTEE DOIT VERROUILLER AUTOMATIQUEMENT ET DE FACON SECURISEE LA POIGNEE EN POSITION PARKIN
 IL DISPOSITIVO DI CHIUSURA DEVE AUTOMATICAMENTE BLOCCARE IN MODO SICURO LA MANIGLIA NELLA POSIZIONE DI PARCHEGGIO



TESTING SCHEME
 SYMBOL
 SCHEMA DE PRINCIPE
 SCHEMA DI PRINCIPIO

SUPPLY VORRAT ALIMENTATION ALIMENTAZIONE	1	MEDIUM : AIR MEDIUM : LUFT FLUIDE : AIR FLUIDO : ARIA
SPRING BRAKE CYLINDER FEDERSPREICHERZYLINDER CYLINDRE A RESSORT CILINDRO A MOLLA	21	THERMALIC RANGE THERMISCHER ANWENDUNGSBEREICH TEMPERATURE DE FONCTIONNEMENT TEMPERATURA DI UTILIZZAZIONE
TRAILER CONTROL VALVE ANHAENGER STEUERVENTIL VALVE DE CONTROLE DE REMORQUE VALVOLA DI CONTROLLO DI RIMORCHIO	22	OPERATING PRESSURE: BETRIEBSDRUCK: PRESSIONE DE SERVICE: PRESSIONE OPERATIVA:
EXHAUST ENTLUEEFTLUNG ECHAPPEMENT SCARICO	3	P1 = 10 BAR MAX.

TORQUE	
1	MAX. 34 Nm
2	MAX. 4 Nm

General Specifications: JED-334-1 - Size ISO 14405 LP	Copyright WABCO®	ProVia
Further Technical Data: Product Specification	Date: 2019-03-06	Signature: Bodowski
Doc. Code: 035	Sheet: 1 To 5	Checked: Bodowski
General Tolerances JED-261	Expert: Pawlowski	Material No.:
Range of Nominal Dimensions (± mm)	Mass: 0.635 kg	Date of first issue: 2019-01-29
Class 1) ≤ 50 > 50 > 180 > 400	Scale: 1:1 (2:1)	Doc. Code: 005
Fine 0.5 1.0 1.5 2.0	Size: CAD System	Language: ML
Medium 1.0 2.0 3.0 4.0 ±3°	A 1 CREO	Sheet: 1/1
Coarse X 2.0 3.5 5.0 6.5	EDN No.:	
Tapped Holes acc. JED-464	Revision: 7x	Techn. Resp.:
1) Tolerance Class Applied Crossmarked	A 5212_AM	Replacement for:

Non è permesso copiare o riprodurre questo documento, né utilizzare il contenuto a fini commerciali, senza permesso scritto dalla ProVia. Toute réimpression ou communication de son contenu sans autorisation, sauf à des fins strictement personnelles, est formellement interdite. All rights reserved. No part of this document may be reproduced or transmitted in any form or by any means, electronic or mechanical, including photocopying, recording, or by any information storage and retrieval system, without prior written permission from ProVia.