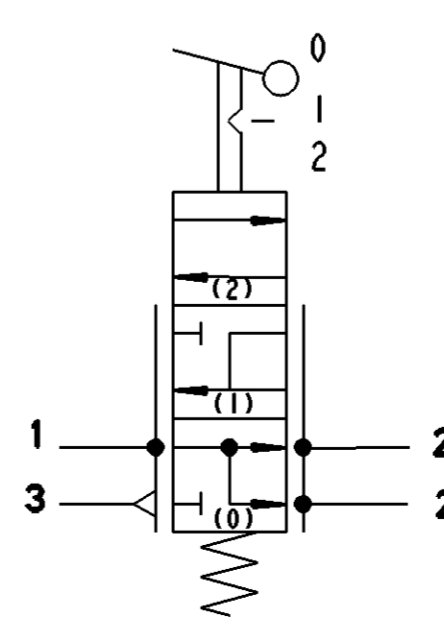
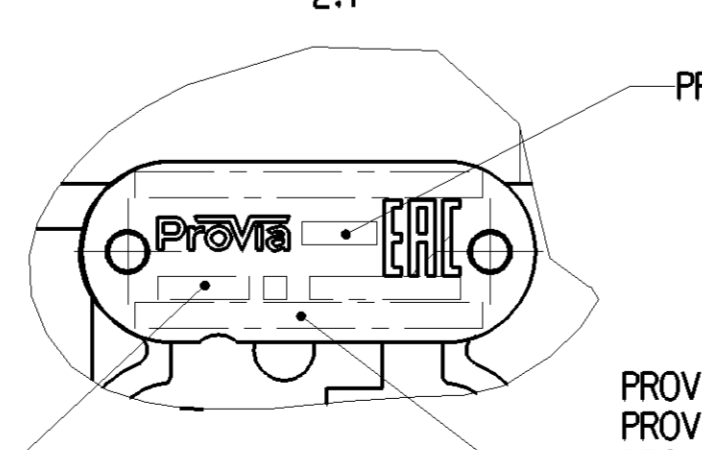


3 THE LOCKING DEVICE MUST AUTOMATICALLY AND SAFELY LOCK THE HANDLE IN THE PARKING POSITION
 DIE VERRASTUNG MUSS DEN HEBEL AUTOMATISCH UND SICHER IN DER PARKPOSITION HALTEN
 LA BŪTEE DOIT VERROUILLER AUTOMATIQUEMENT ET DE FAÇON SÛRE LA POIGNÉE EN POSITION PARKIN
 IL DISPOSITIVO DI CHIUSURA DEVE AUTOMATICAMENTE BLOCCARE IN MODO SICURO LA MANIGLIA NELLA POSIZIONE DI PARCHEGGIO

TESTING SCHEME SYMBOL
 SCHEMA DE PRINCIPE
 SCHEMA DI PRINCIPIO



1	SUPPLY VORRAT ALIMENTATION ALIMENTAZIONE
21	SPRING BRAKE CYLINDER FEDERSPEICHERZYLINDER CYLINDRE A RESSORT CILINDRO A MOLLA
22	TRAILER CONTROL VALVE ANHAENGER STEUVENTIL VALVE DE CONTROLE DE REMORQUE VALVOLA DI CONTROLL DI RIMORCHIO
3	EXHAUST ENTLUEFTUNG ECHAPPEMENT SCARICO
	MEDIUM: AIR MEDIUM: LUFT FLUIDE: AIR FLUIDO: AIRIA
	THERMICAL RANGE THERMISCHER ANWENDUNGSBEREICH TEMPERATURE D'UTILISATION TEMPERATURA DI UTILIZZAZIONE -40°C - +80°C
	OPERATING PRESSURE: BETRIEBSDRUCK: PRESSION DE SERVICE: PRESSIONE OPERATIVA: 6.5 - 10 bar
	EXCEPTIONAL INLET PRESSURE EINGESTEUERTER DRUCK KURZZEITIG PRESSION D'ALIMENTATION EXCEPTIONNELLE PRESSIONE DI ALIMENTAZIONE ECCEZIONALE P1=12.5bar
	SUPPLY PRESSURE VORRATSDRUCK PRESSION PNEUMATIQUE D'ALIMENTATION PRESSIONE PNEUMATICA DI ALIMENTAZIONE P1=10 BAR MAX

TORQUE	
1	MAX. 34 Nm
2	MAX. 10 Nm

DATE OF MANUFACTURE
 HERSTELLDATUM
 DATE DE FABRICATION
 DATA DI FABRICAZIONE

PROVIA IDENTIFICATION NUMBER
 PROVIA IDENTIFIKATIONSNUMMER
 PROVIA NUMERO D'IDENTIFICATION
 PROVIA NUMERO D'IDENTIFICAZIONE

General Specifications: JED-334-1 - Size ISO 14405 LP		Copyright WABCO®	
Further Technical Data: Product Specification		Date: 2019-03-04	Signature: Bodowski
Doc. Code: 035 Sheet: 1 To 4		Checked: 2019-03-05	Expert: Pawlowski
General Tolerances JED-261		Material No.: PRO 645 003 0	
Range of Nominal Dimensions (± mm)		Mass: 0.764 kg	Date of first issue: 2019-01-31
Class	1) ≤ 50 > 50 > 180 > 180 > 400 > 400	Scale: 1:1 (2:1)	Doc. Code: 005 ML
Fine	0.5 1.0 1.5 2.0	Size: CAD System	Language: 1/1
Medium	1.0 2.0 3.0 4.0		
Coarse	2.0 3.5 5.0 6.5		
Tapped Holes acc. JED-388		Revision: 3x A	Techn. Resp.: 5212_AM
1) Tolerance Class Applied Crossmarked		Replacement for: -	

Non è permesso copiare o riprodurre questo documento, né utilizzare il contenuto a fini commerciali, senza permesso scritto dalla WABCO. Toute réimpression ou utilisation non autorisée sans la permission écrite de la WABCO est formellement interdite. Toute utilisation non autorisée sera considérée comme acte de contrefaçon et sera poursuivie en justice. All rights reserved. No part of this document may be reproduced or transmitted in any form or by any means electronic or mechanical, including photocopying and recording, or by any information storage or retrieval system, without prior written permission from WABCO.