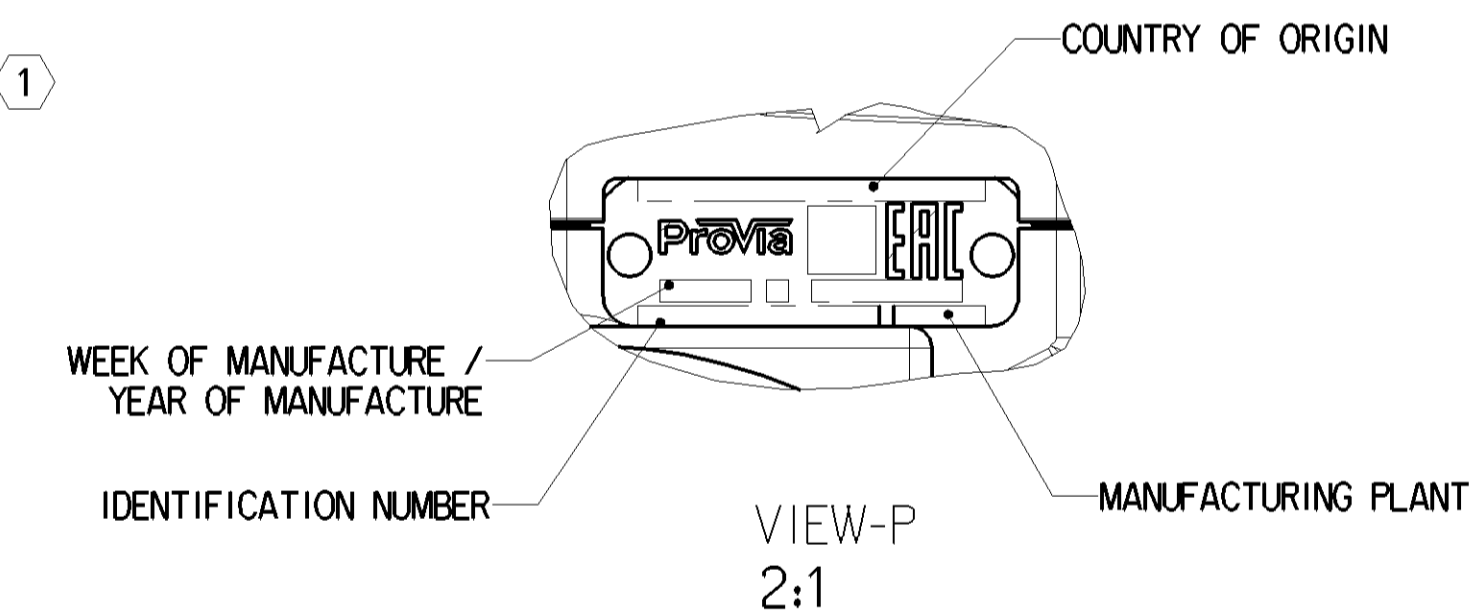
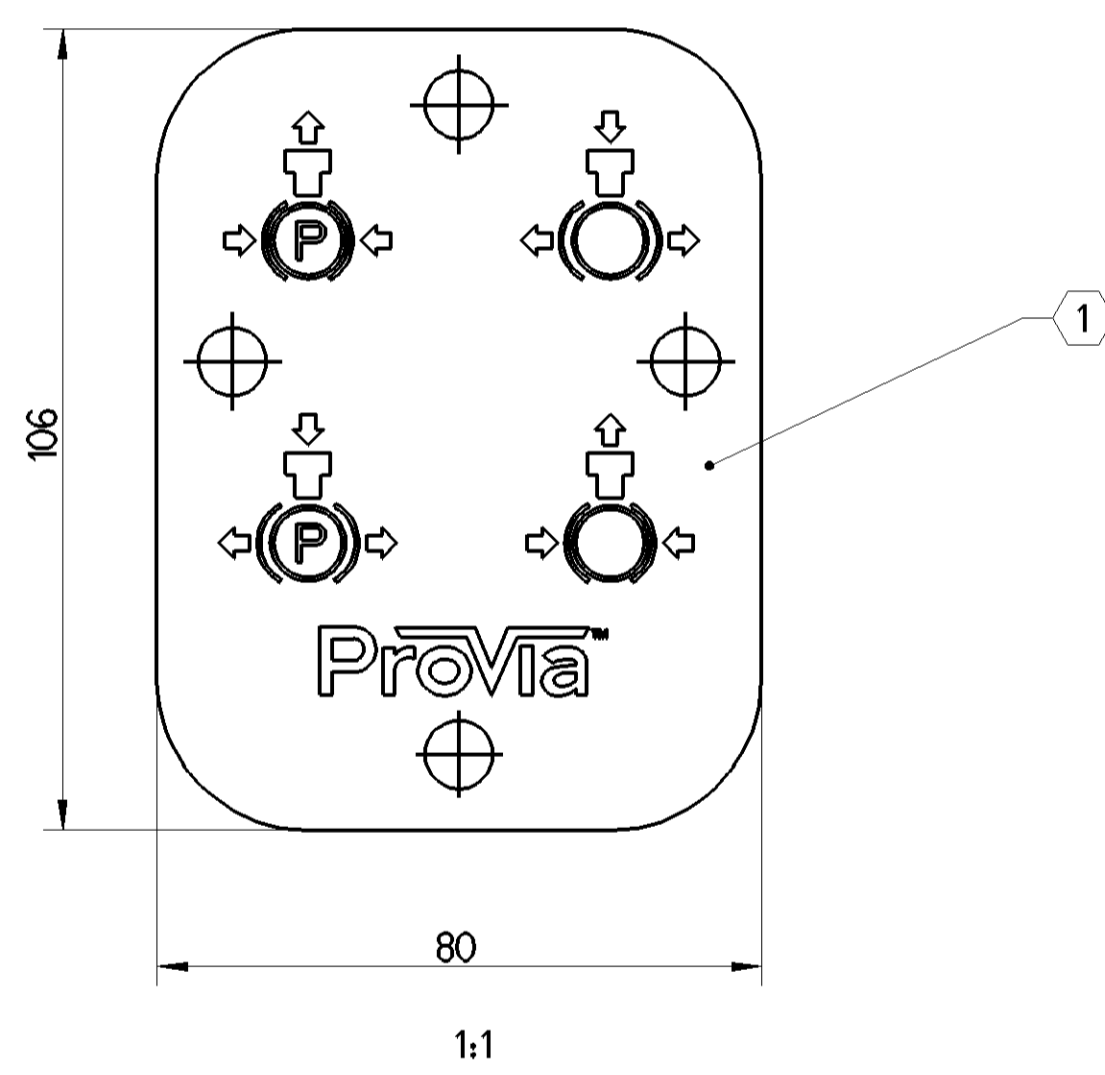
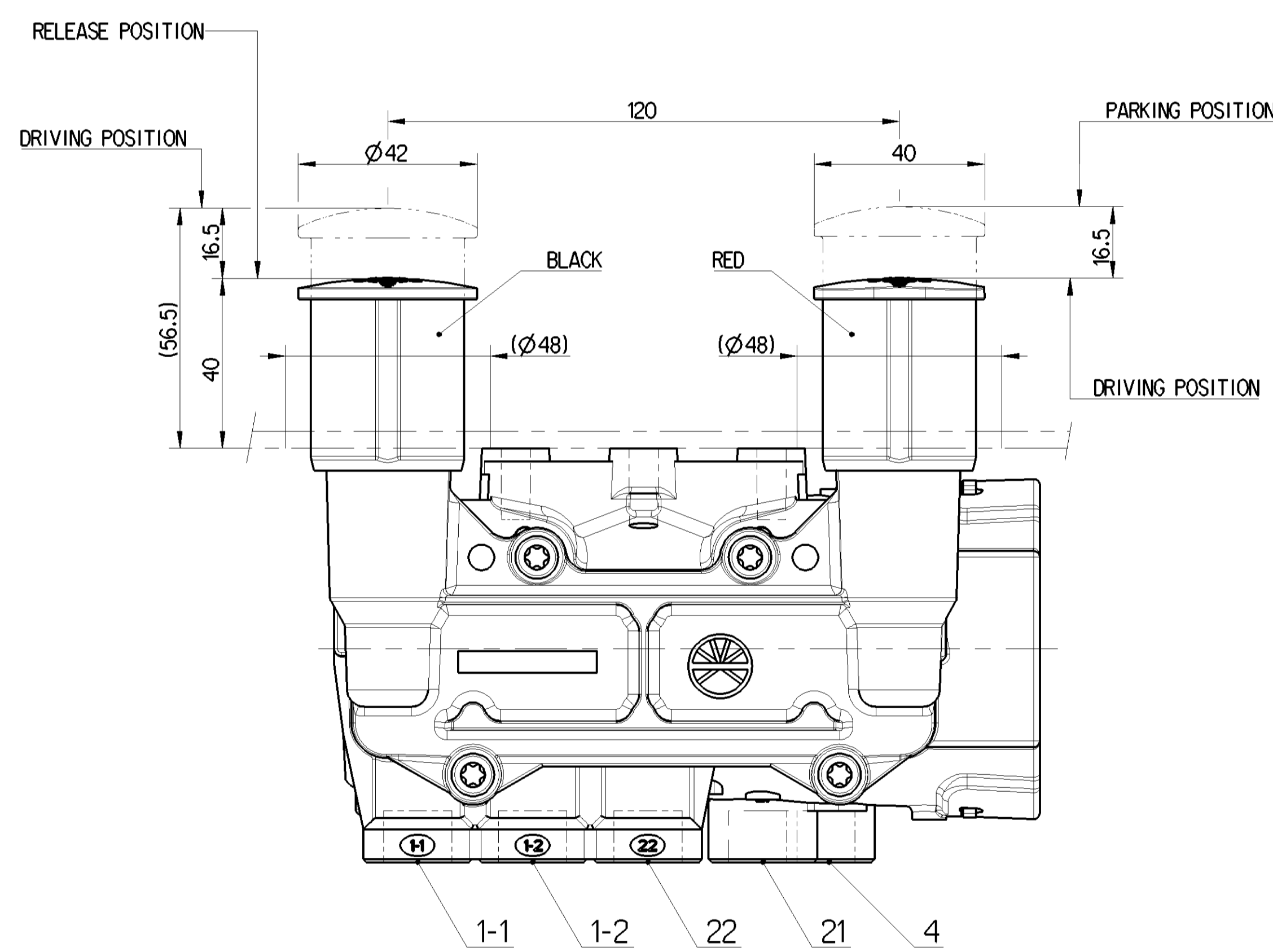
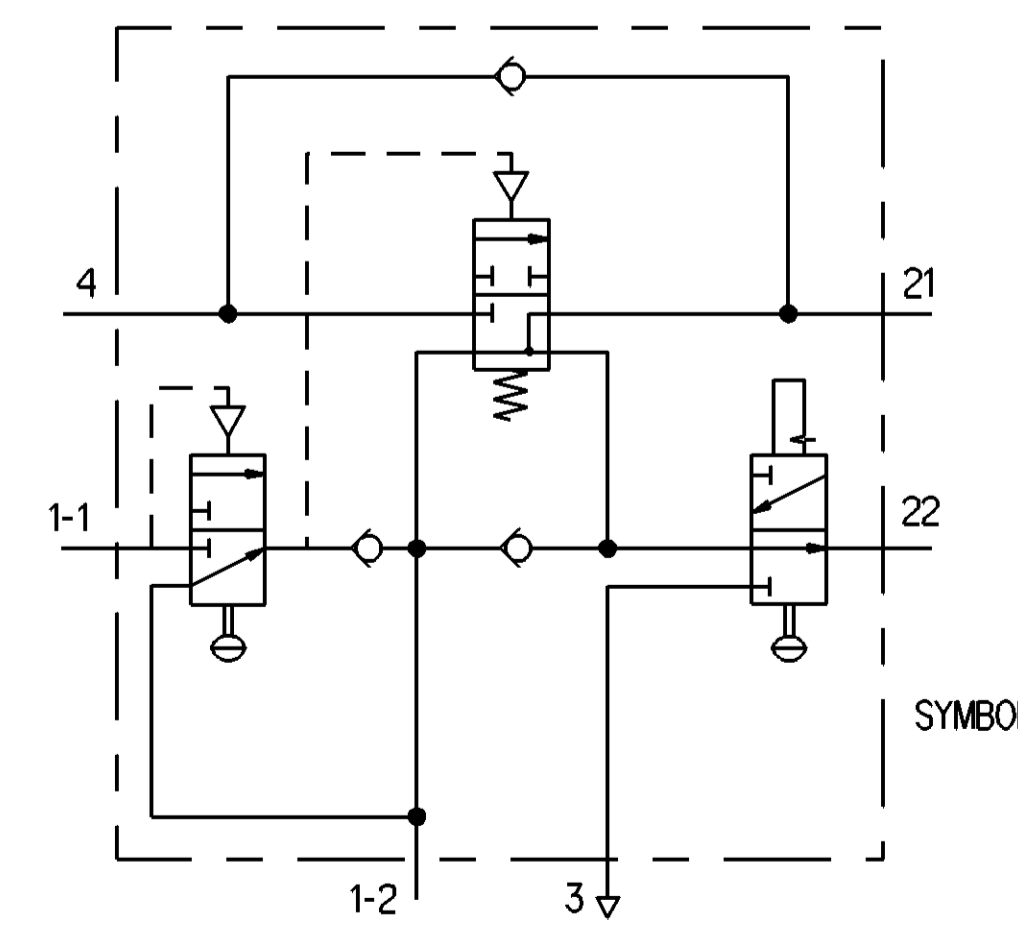
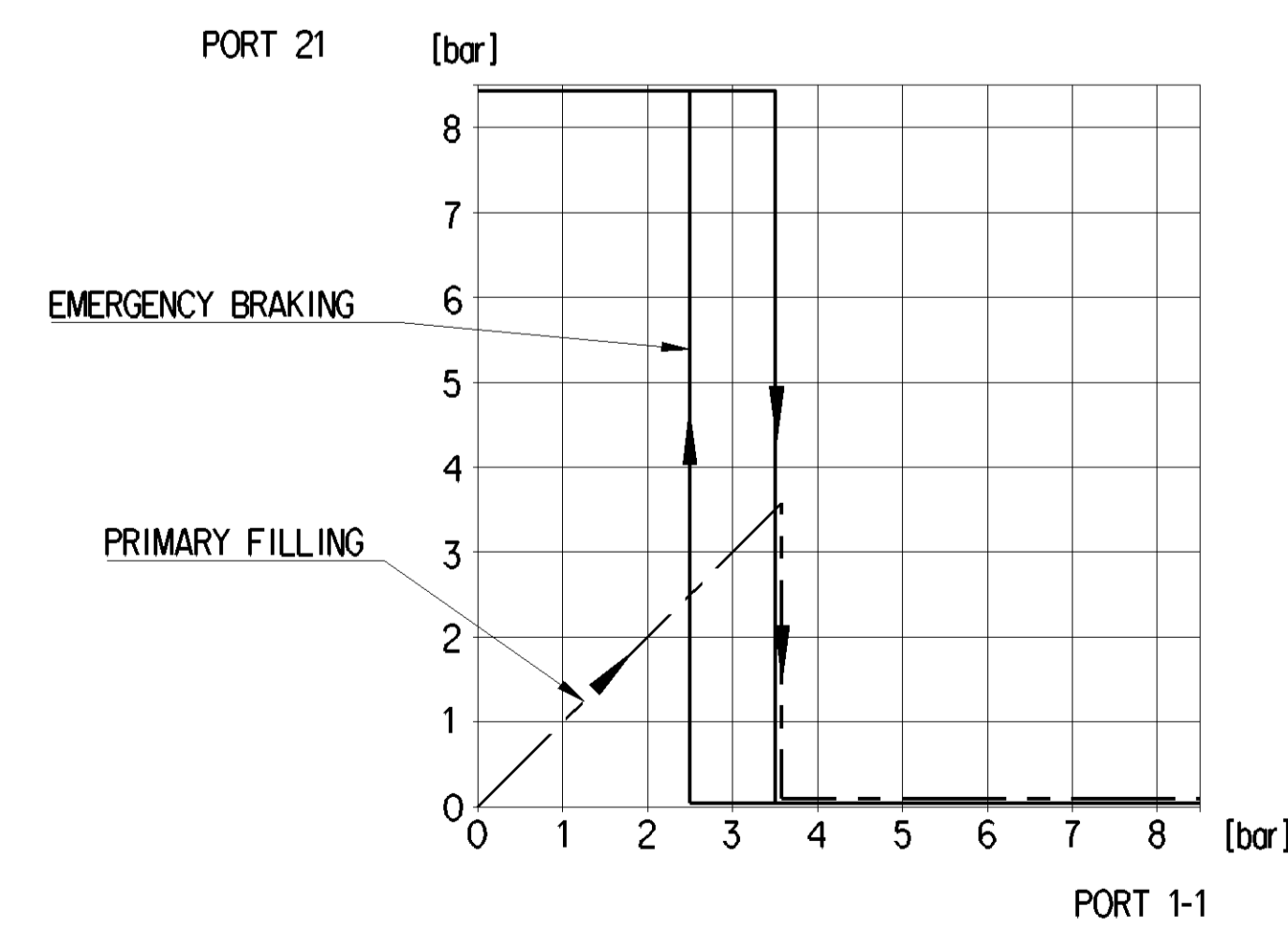
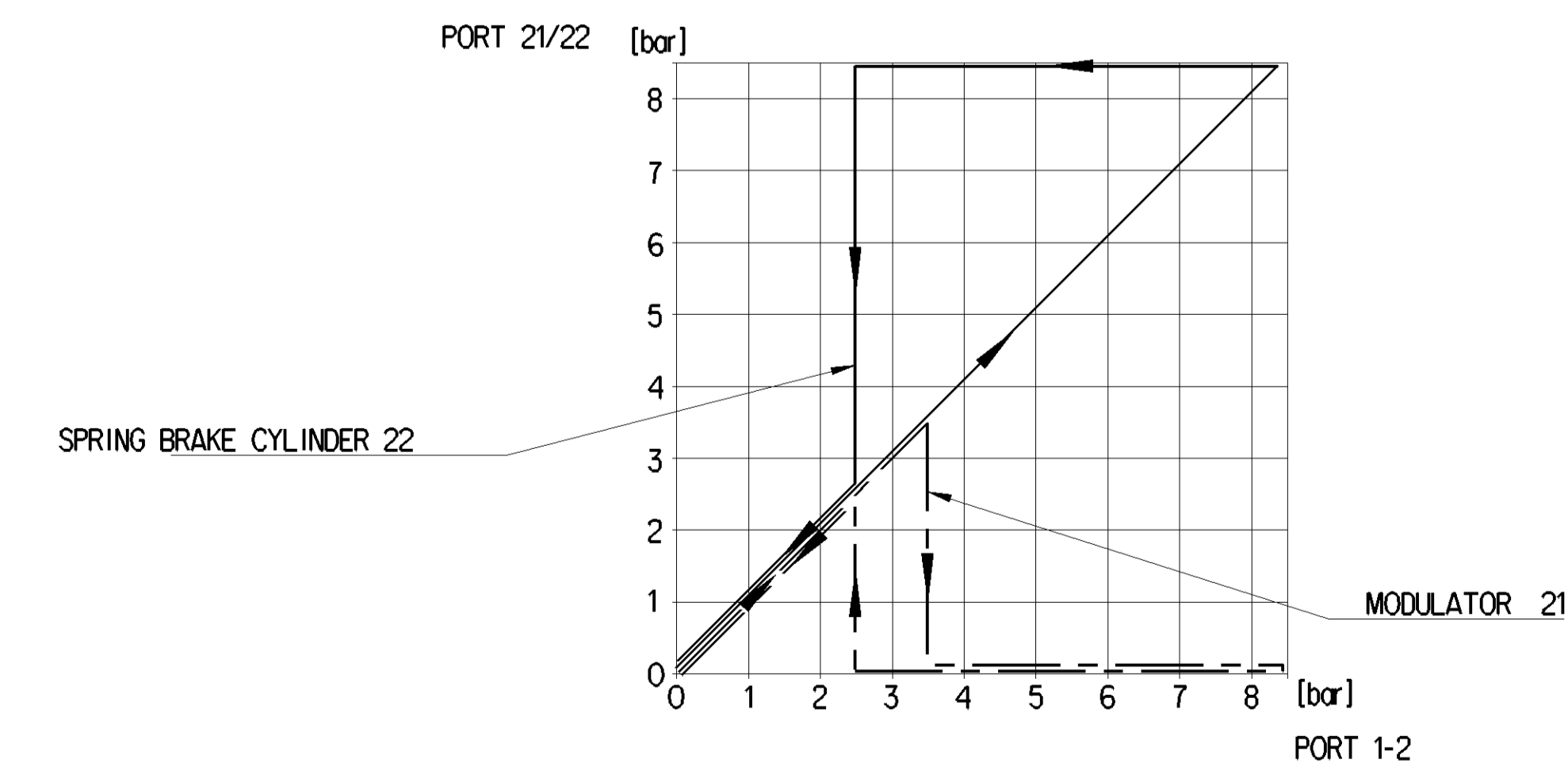


PORT	FUNCTION	TAPPED HOLES
1-1	SUPPLY	M16x1.5 JED-152
1-2	AIR RESERVOIR	M16x1.5 JED-152
21	MODULATOR	M16x1.5 JED-152
22	SPRING BRAKE CYLINDER	M16x1.5 JED-152
3	AIR EXHAUST	---
4	SERVICE LINE	M16x1.5 JED-152
TORQUE FOR CONNECTIONS		30 ± 3 Nm PLEASE REFER TO THE MAX. TORQUE OF THE FITTINGS
TORQUE FOR MOUNTING		15 Nm

- 1 COVER PORT PART NUMBER IS 3750000644. DELIVERED UNASSEMBLED
- 2 2-HOLE MOUNTING
- 3 ALTERNATIVE 3-HOLE MOUNTING



WORKING MEDIUM	AIR (WATER, OIL AND ALCOHOL CONTAINING)	
WORKING ENVIRONMENT	AIR (CONTAINING WATER, SALT, DUST AND OIL)	
THERMAL RANGE OF APPLICATION UNDER NORMAL AMBIENT CONDITIONS	-40 °C ... +65 °C SEE PRODUCT SPECIFICATION	
SHORT TERM RESISTANCE TO HEAT	MAX. 90 °C MAX. 100 °C AT 2 h	WITHOUT FUNCTION
WORKING PRESSURE (SUPPLY)	$p_{1-1} = 8.5 \text{ bar}$	
MAX. PERMISSIBLE WORKING PRESSURE (SUPPLY)	$p_{1-1} = 10 \text{ bar}$	TEMPORARILY
INSTALLATION LIMITATIONS:	MAX. DEVIATION OF THE DEVICE FROM THE VERTICAL: ±15°	



General Specification: JED-334-1, Size ISO 14405 LP	Copyright © 2007	ProVia				
Further Technical Data: PRO6480000	Date: 2021-09-15	PARK RELEASE EMERGENCY VALVE				
Doc. Code: 030	Series: 01 To 07	2021-09-15				
Revision: 01	Manufacturer: S	2021-09-15				
Manufacturer: M	2021-09-15	2021-09-15				
Class: 1	2	3	4			
Medium: X	1.0	2.0	3.0	4.0		
Course: 2.0	3.5	5.0	6.5			
Tapped holes acc. JED-152	1.543	1.1	2.1	005	EN	1/1
1) Tolerance: 0.10 mm (0.004 in.)	A 0	PRO	ED-152	Revision	1543	2021-09-15