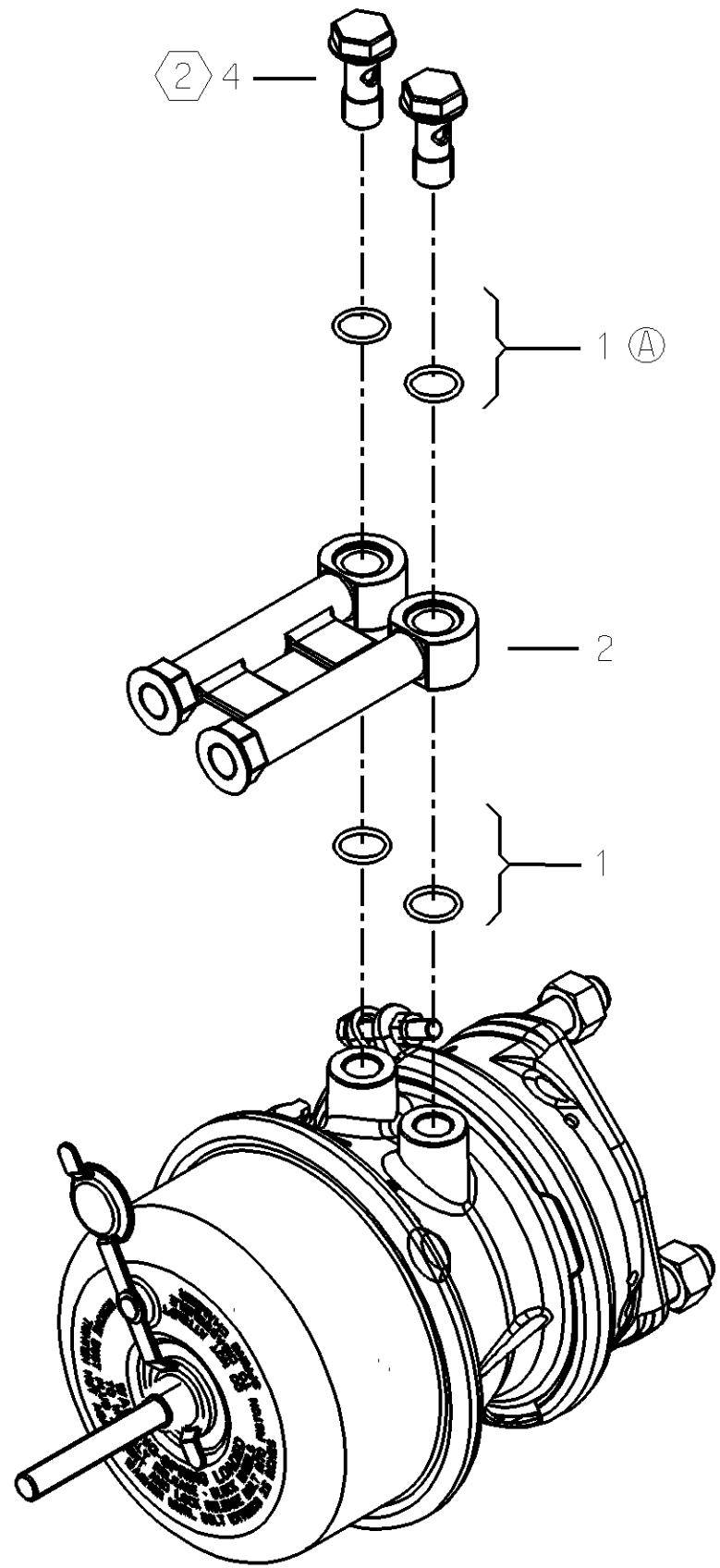


Non e permesso consegnare a terzi o riprodurre questo documento, ne utilizzare il contenuto o renderlo comunque noto a terzi senza autorizzazione esplicita. Ogni infrazione costituirà un evidente abuso e comporterà il risarcimento dei danni subiti. E' fatto riserva di tutti i diritti derivanti da brevetti o modelli.

Copying of this document and giving it to others and the use or communication of the contents thereof, are forbidden without express authority. Controvention of this restriction will constitute an evident abuse and result in a liability to the payment of damages. All rights are reserved in the event of the grant of patent or registration of a utility model or design. This document is the subject of copyright.

Toute communication ou reproduction de ce document, toute exploitation ou communication de son contenu sont interdites, sauf autorisation expresse. Tout manquement a cette regle constitue un abus evident et expose son auteur au versement de dommages et interets. Tous droits de propriete industrielle reserves, notamment en matiere de brevets et de modesles.

Weitergabe sowie Vervielfaeligung dieser Unterlage, Verwertung und Mitteilung ihres Inhalts nicht gestattet, soweit nicht ausdruecklich zugestanden. Zuwiderhandlungen stellen einen offensichtlichen Misbrauch dar und verpflichten zu Schadenersatz. Alle Rechte fuer den Fall der Patenterteilung oder Gebrauchsmuster-Eintragung vorbehalten.



- ① DOCUMENT FOR REPAIR KIT INSTRUCTION
- ② TORQUE : 31±3 Nm

<1>	SAFETY CHARACTERISTICS	0
<2>	SIGNIFICANT CHARACTERISTICS	0
<CI>	CUSTOMER INTERFACE	0

S.No.	PART NUMBER	QTY.
1	897 980 505 4	4
2	925 380 026 4	1
4	892 230 004 4	2
5	826 105 522 3	1

General Specification: JED-334-1 , Size ISO 14405 LP		Copyright WABCO®		 PIPE EXTENSION KIT				
Further Technical Data: -		Date	Signature				Date of first issue: 2019-07-15	
Doc. Code:-	Sheet: To	2019-10-21	Shanmugam S				Doc.Code	Language
General Tolerances JED-261		2019-10-22	Yerahachelvan				005	EN
Range of Nominal Dimensions (± mm)		Checked		Material No.				
Class 1)	≤ 50	> 50 ≤ 180	> 180 ≤ 400	> 400	±3°			
Fine	0.5	1.0	1.5	2.0	PRO 712 002 2			
Medium	1.0	2.0	3.0	4.0				
Coarse	2.0	3.5	5.0	6.5				
Tapped Holes acc. -		Mass	Scale	Date of first issue: 2019-07-15				
1) Tolerance Class Applied Crossmarked -		0.376 KG	NTS	Doc.Code Language Sheet				
		Size	CAD System	005 EN 1/1				
		A 3	CREO	Replacement for				
				ECN-No.	Revision			
				502809	3 A			
				Techn. Resp.	5421_AM			

