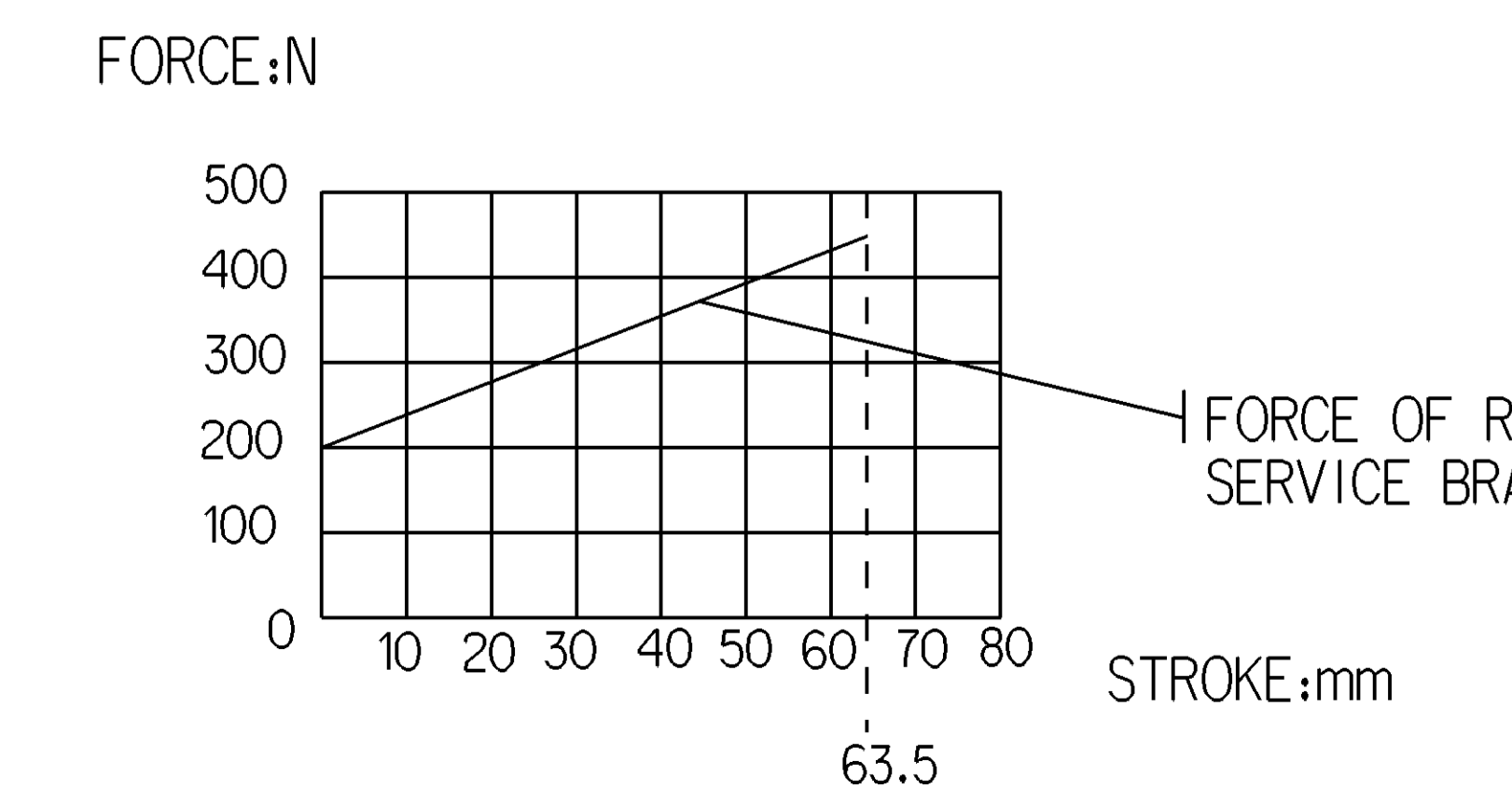
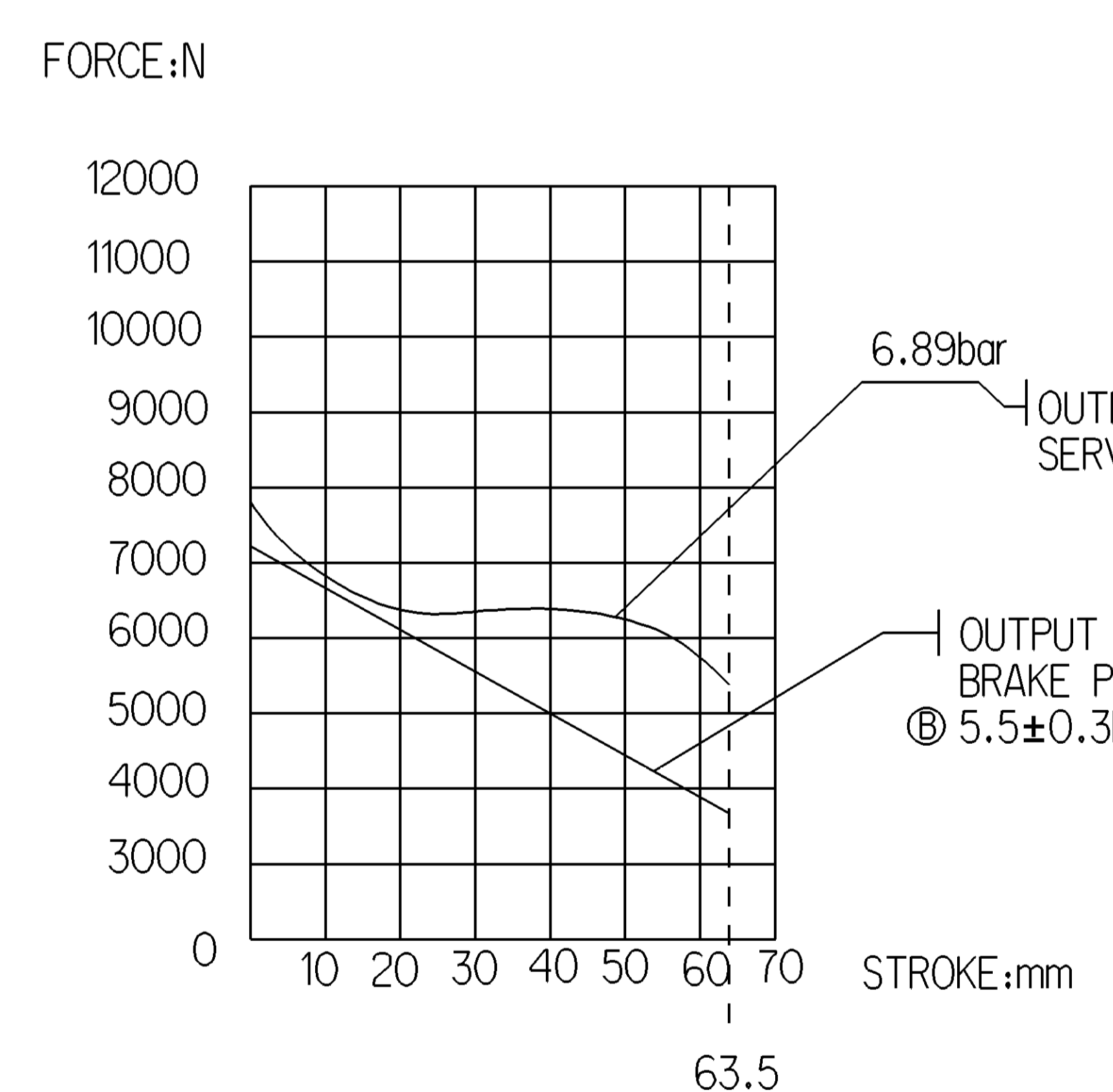
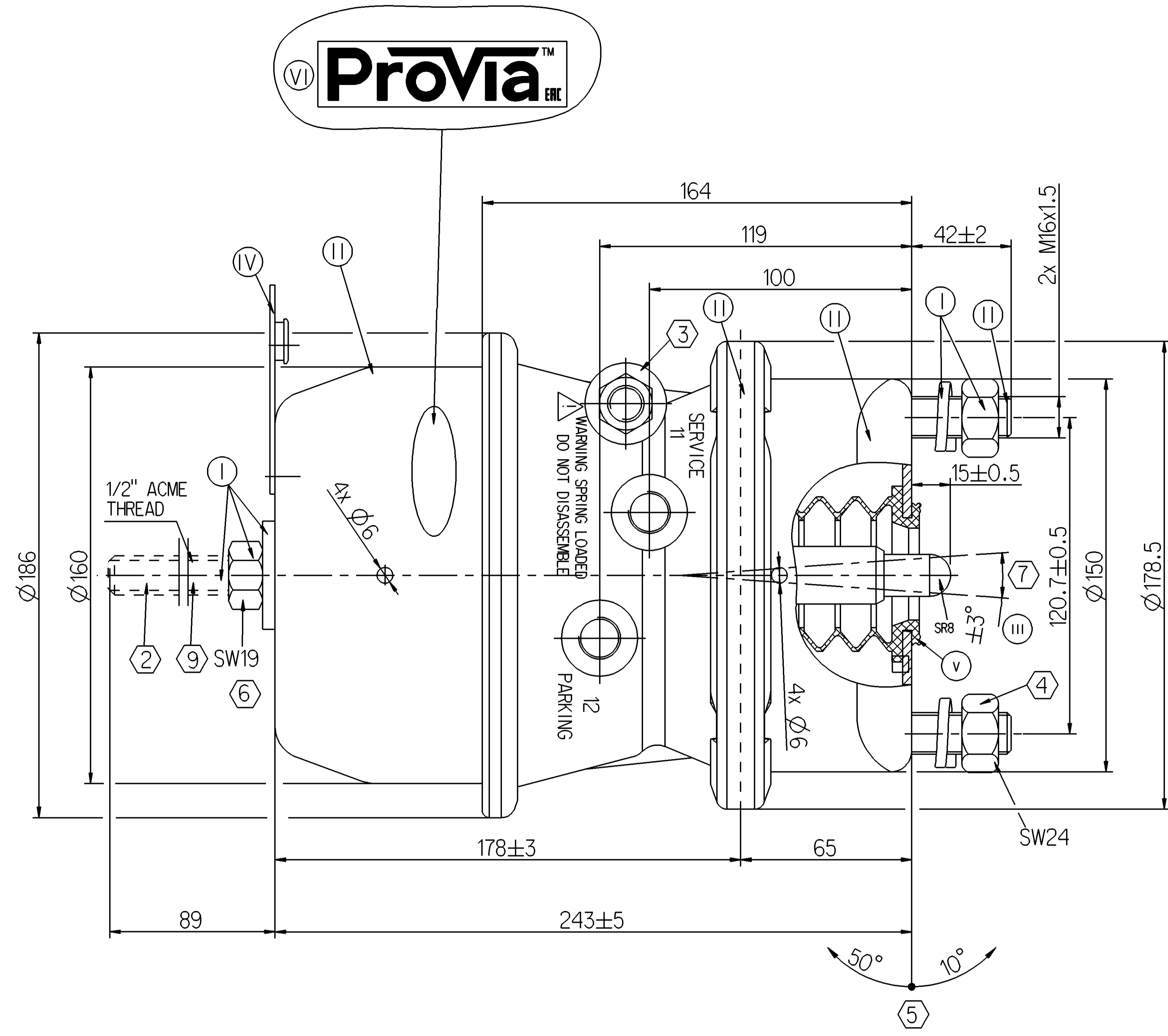
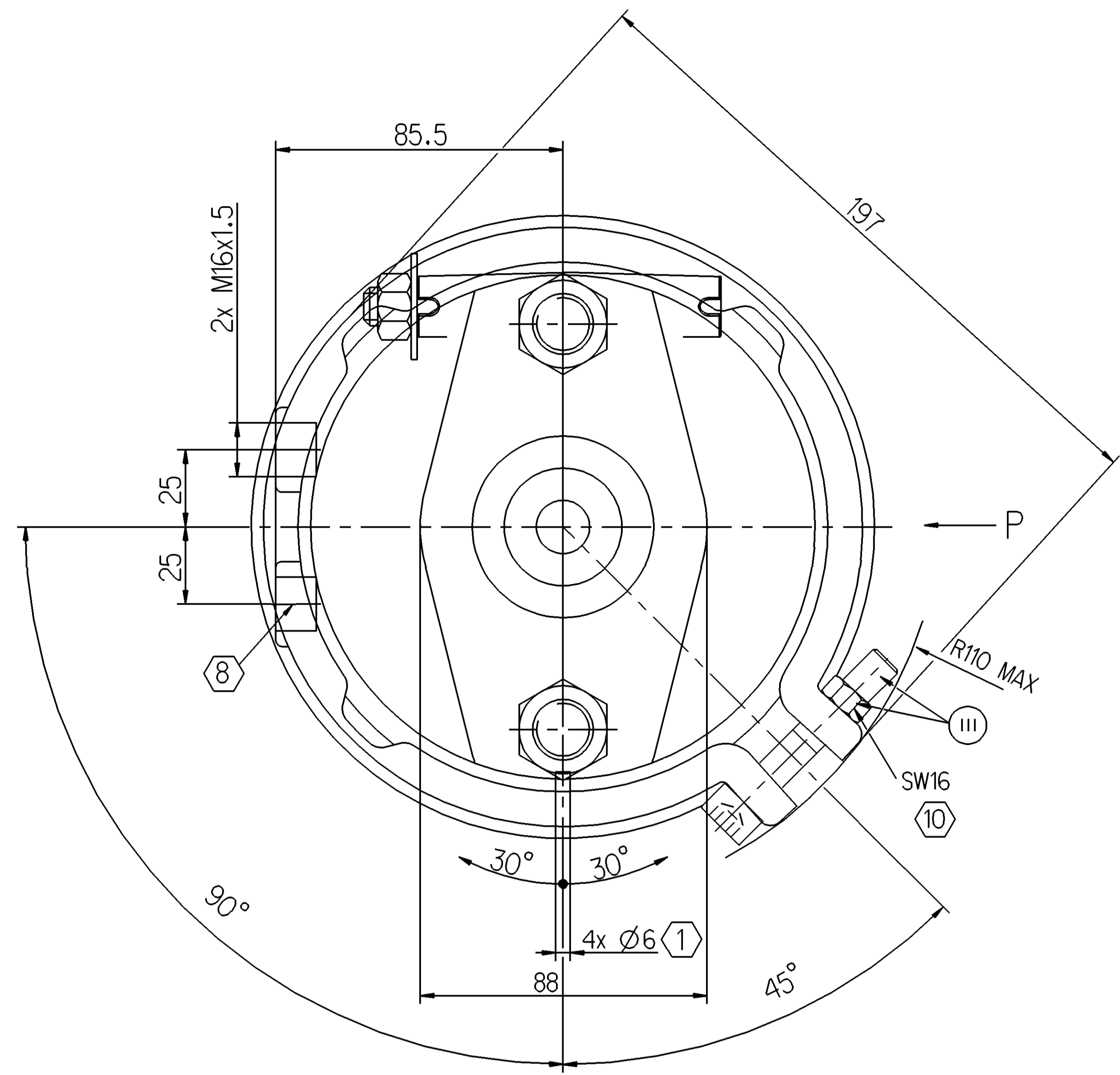


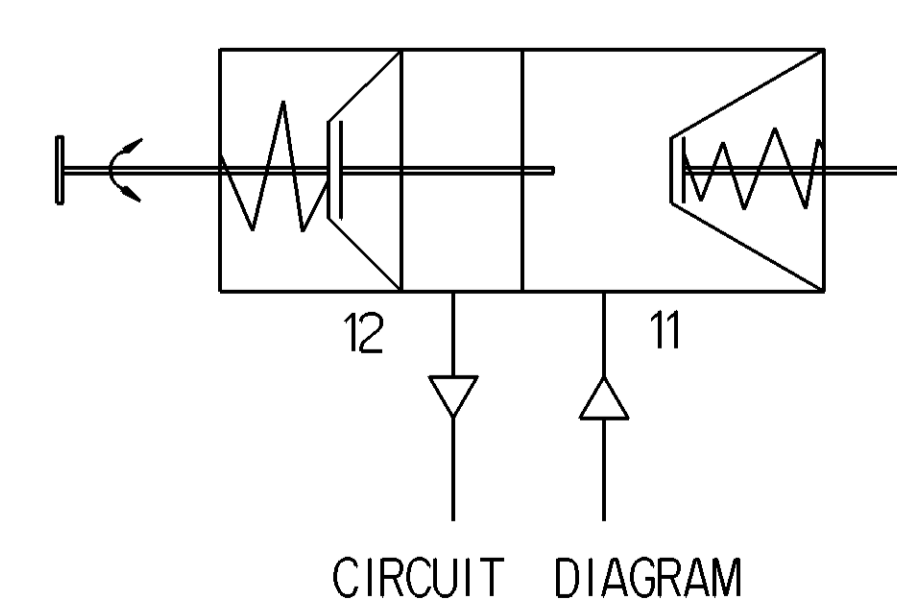
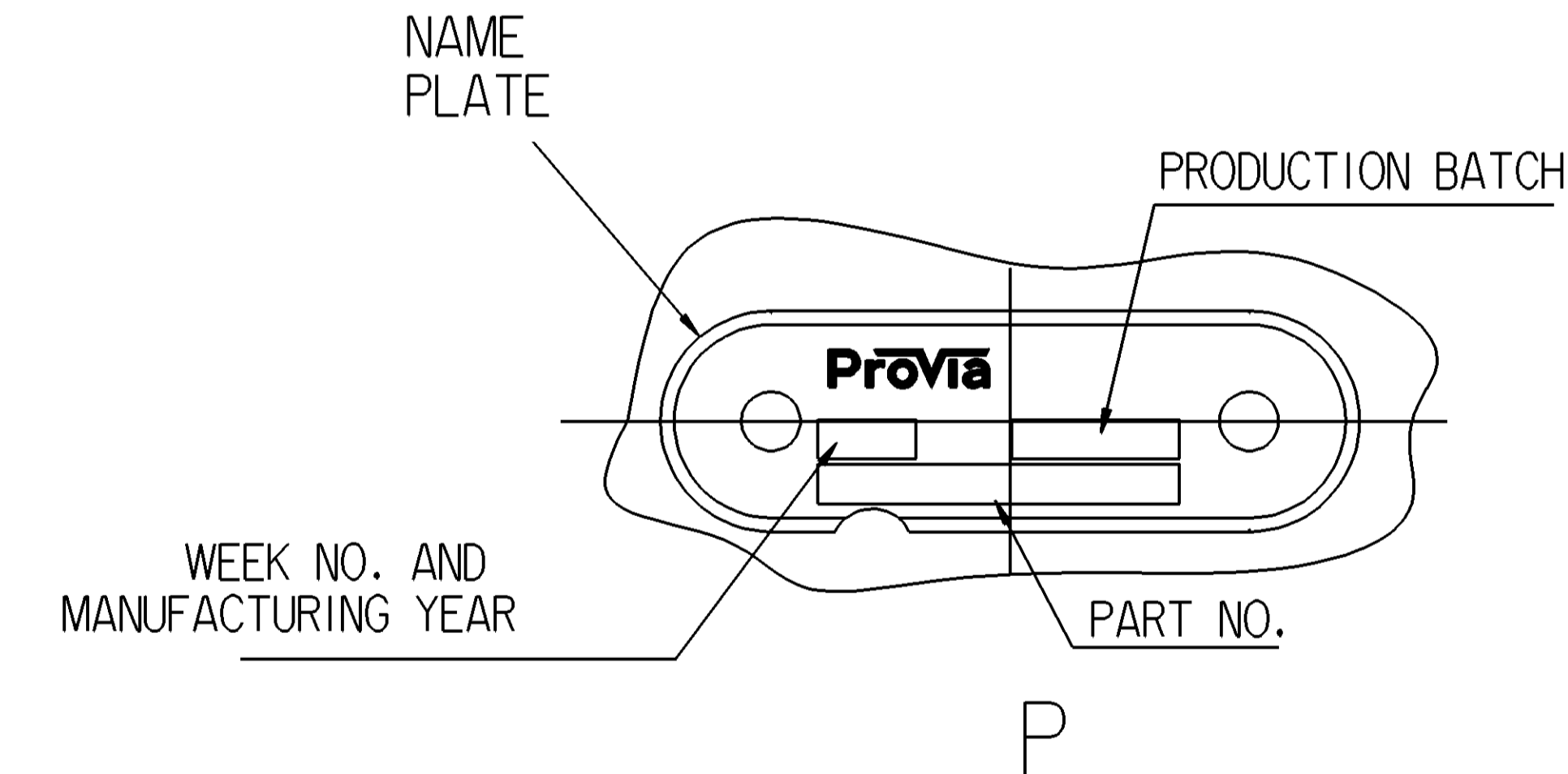
SURFACE PROTECTION

I	ZINC PLATED WITH CR6+ FREE
II	ELECTRO-PAINTING
III	DACROMET
IV	HARD POLYETHYLENE
V	RUBBER
VI	STICKER



- ① OPEN BREATHER HOLE
- ② CONDITION AS SUPPLIED : SPRING BRAKE APPLIED
- ③ FIXTURE OF RELEASE BOLT TORQUE: 22.5±2.5 Nm
- ④ TORQUE: 220±20 Nm
- ⑤ ADMISSIBLE INSTALLATION POSITION
- ⑥ TORQUE:MAX.25Nm
- ⑦ DEFLECTION: 6° MAX AT STROKE:0 mm
- ⑧ TORQUE: 34Nm MAX.
- ⑨ RELEASED POSITION
- ⑩ TORQUE: ≥25Nm

TECHNICAL REQUIREMENT
 1.STROKE:
 PARKING CHAMBER: ≥63.5mm
 SERVICE CHAMBER: ≥63.5mm;
 2.WORKING PRESSURE:
 SERVICE CHAMBER: Pmax 10.5 bar, TEMPORARILY 13 bar MAX;
 PARKING CHAMBER: Pmax 8.5 bar, TEMPORARILY 10 bar MAX
 3.WORKING TEMPERATURE:-40°C.,+80°C
 4.THE DRAWING IS AT CAGED CONDITION,THE PARKING CHAMBER WILL BE AT UNCAGED CONDITION DURING SHIPMENT



General Specification: ED-334-1, Size ISO 14405 LP		Copyright: 2019		ProVia	
Further Technical Data: PRO 712 713 0		Doc. Code: 043		Doc. Code: 043	
Date: 2019-08-19		Version: 01 To 07		DOUBLE DIAPHRAGM SPRING BRAKE ACTUATOR	
Drawn: Sharmagan S		Checked: Sharmagan S		20/24	
Approved: Sharmagan S		Approved: Sharmagan S		20/24	
Range of Nominal Dimensions (± a mm)		Class		Material No.	
a ≤ 50		1		005	
50 < a ≤ 160		2		EN	
160 < a ≤ 400		3		1/1	
400 < a ≤ 630		4			
630 < a ≤ 1000		5			
1000 < a ≤ 1600		6			
1600 < a ≤ 2500		7			
2500 < a ≤ 4000		8			
4000 < a ≤ 6300		9			
6300 < a ≤ 10000		10			
10000 < a ≤ 16000		11			
16000 < a ≤ 25000		12			
25000 < a ≤ 40000		13			
40000 < a ≤ 63000		14			
63000 < a ≤ 100000		15			
100000 < a ≤ 160000		16			
160000 < a ≤ 250000		17			
250000 < a ≤ 400000		18			
400000 < a ≤ 630000		19			
630000 < a ≤ 1000000		20			
1000000 < a ≤ 1600000		21			
1600000 < a ≤ 2500000		22			
2500000 < a ≤ 4000000		23			
4000000 < a ≤ 6300000		24			

GRAPHS FOR INFORMATION ONLY