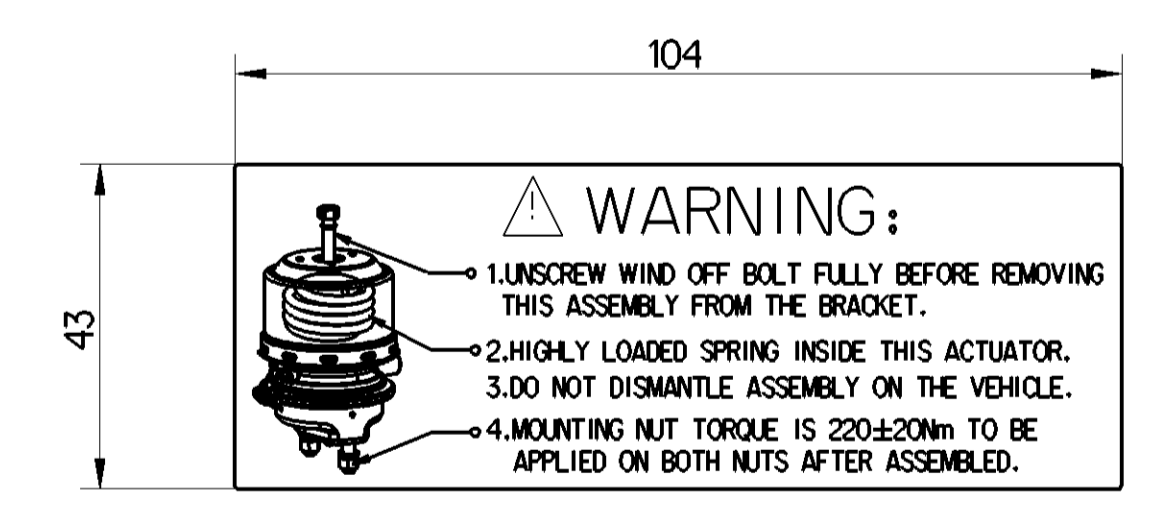
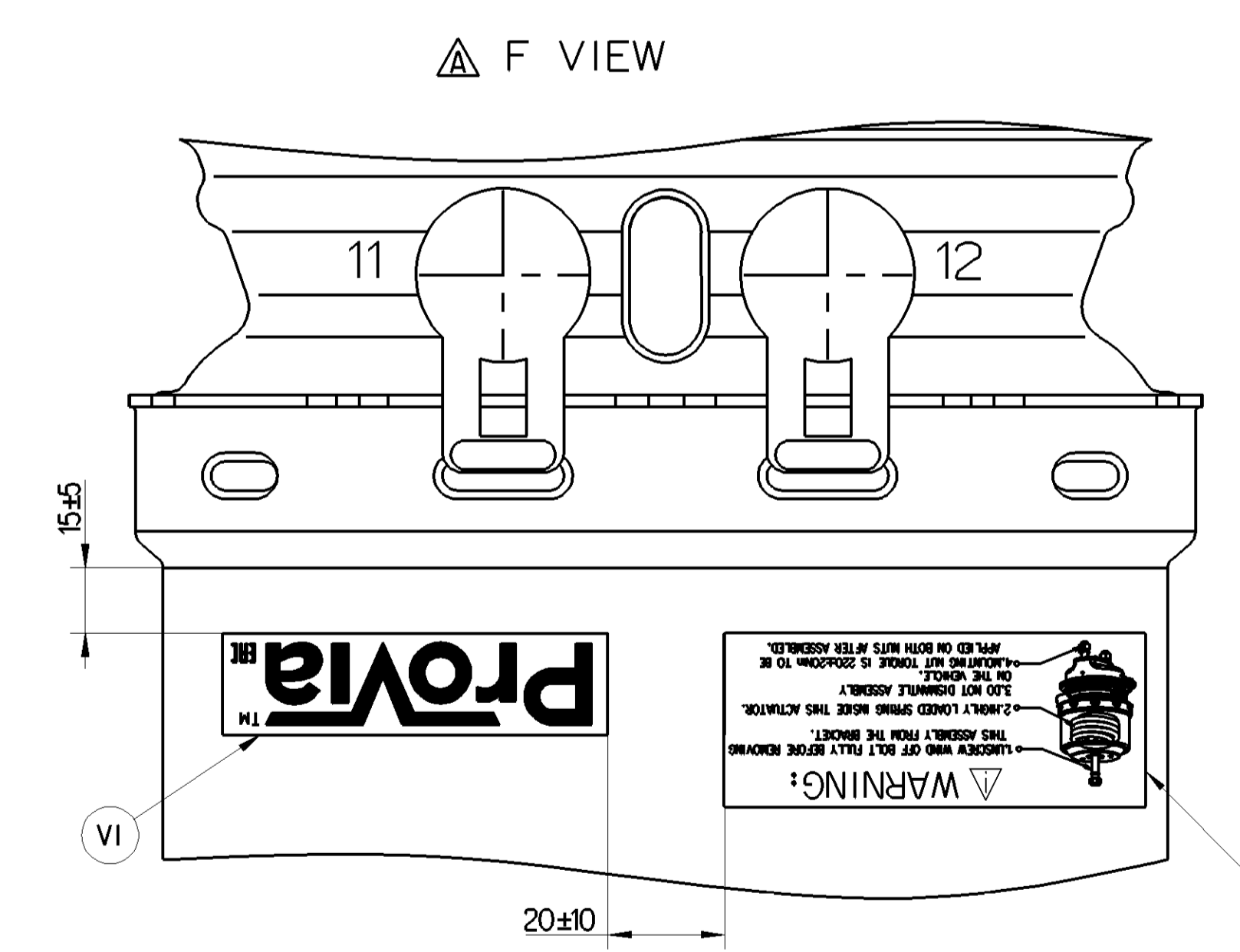
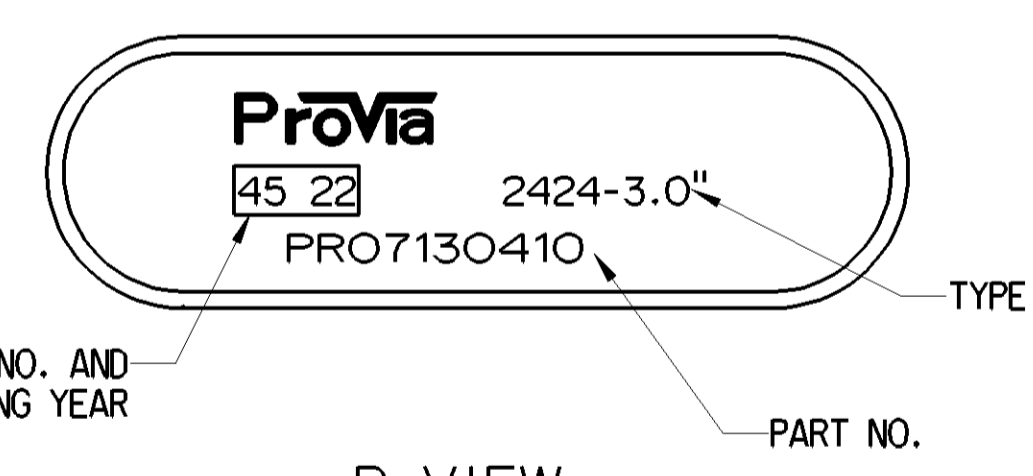
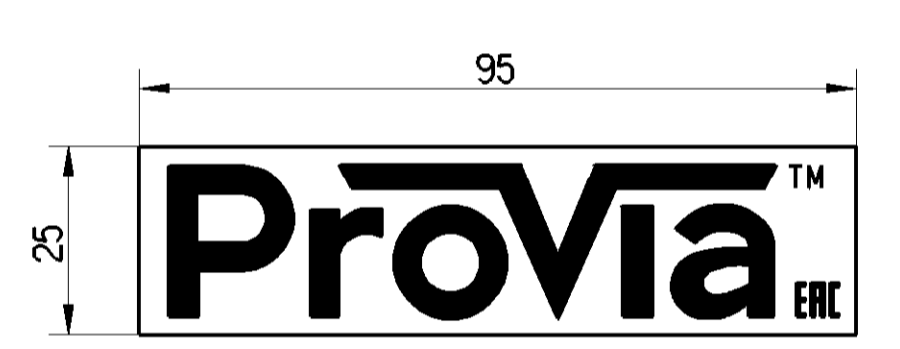
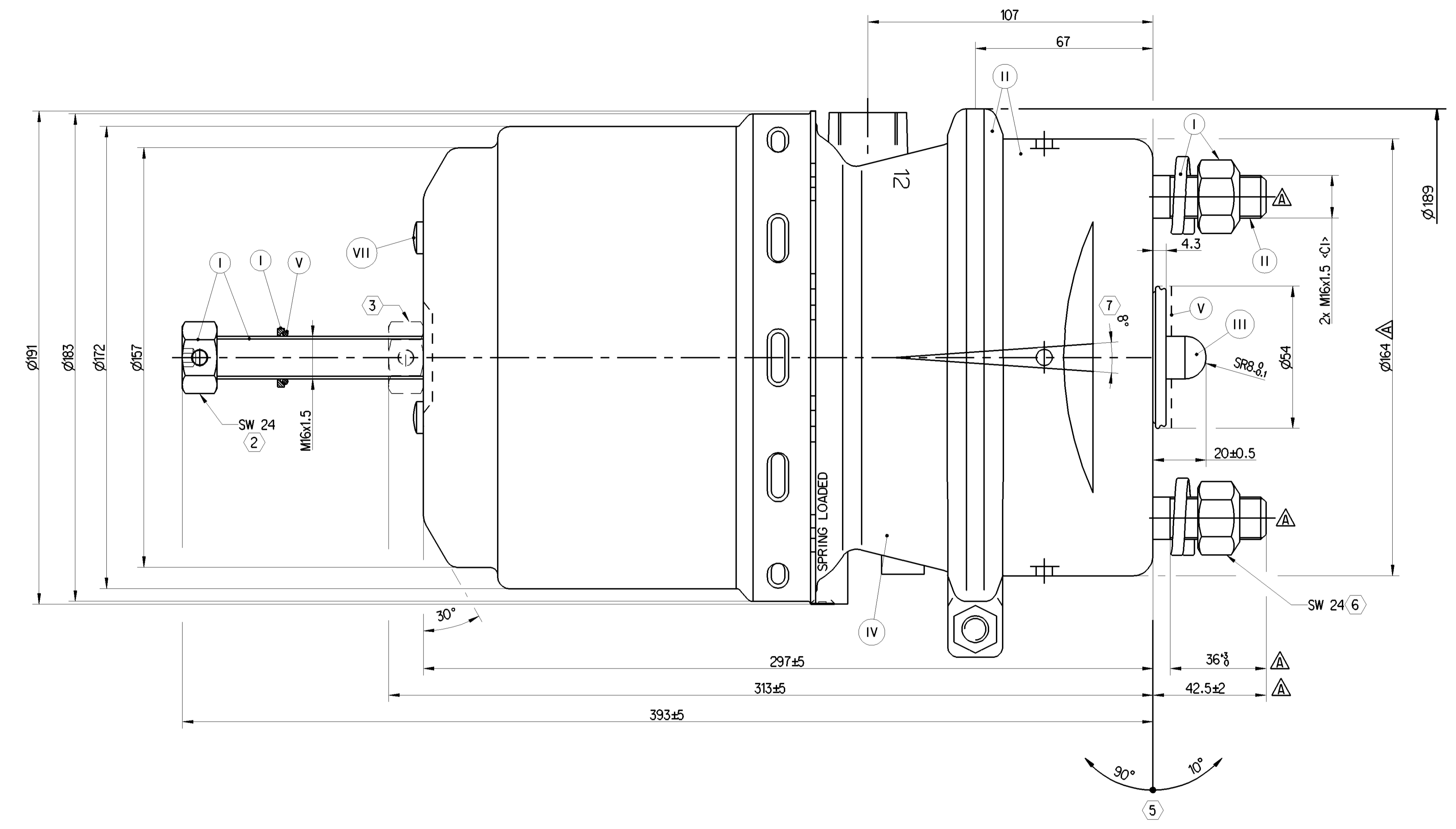
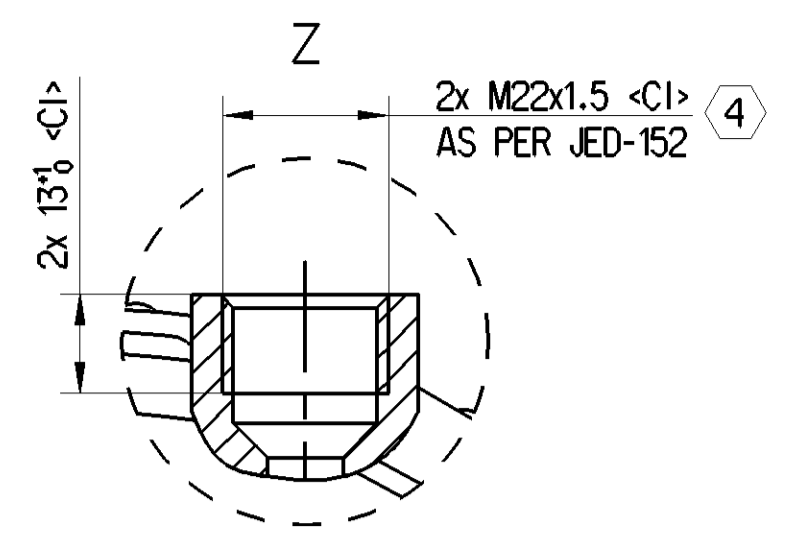
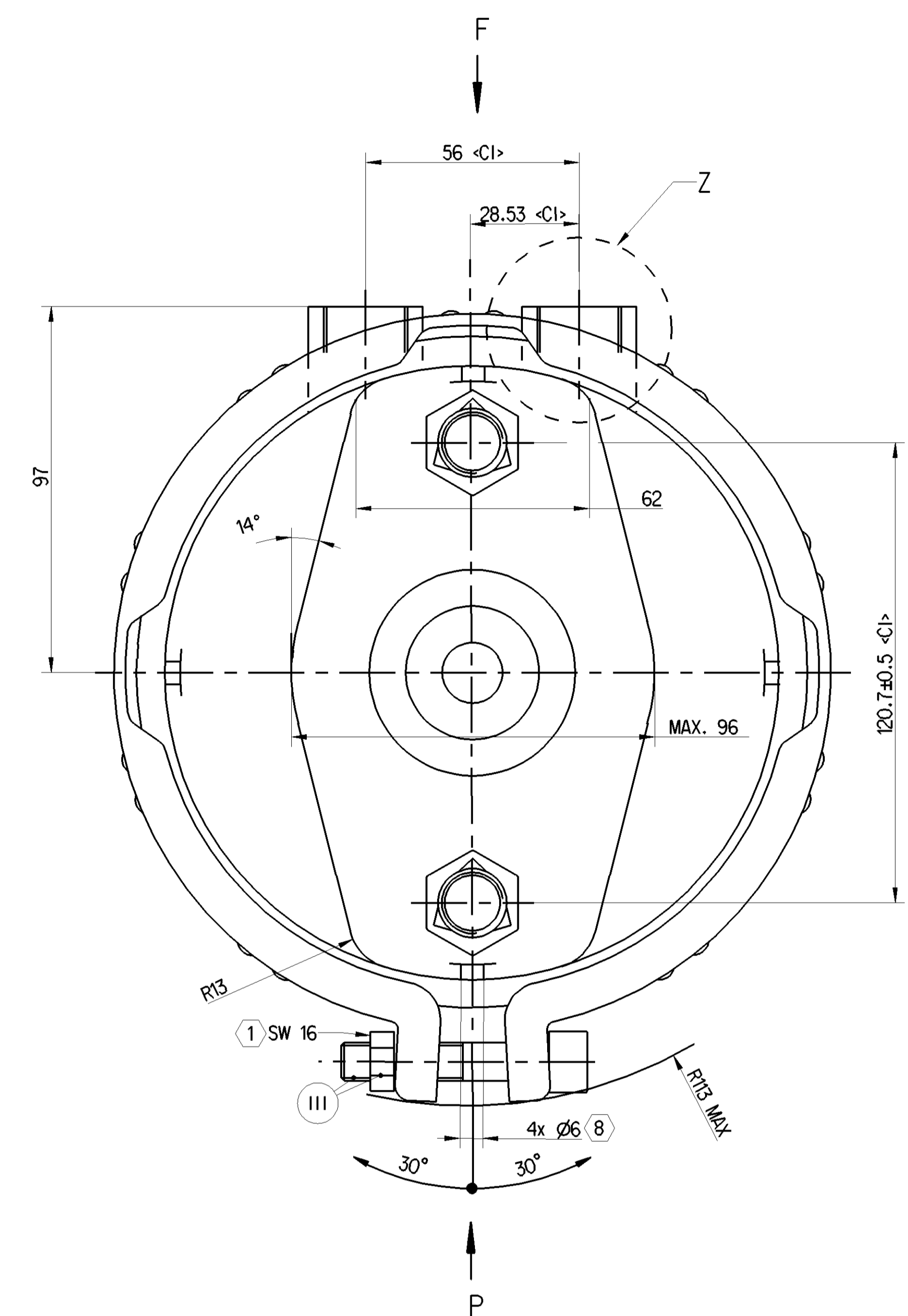


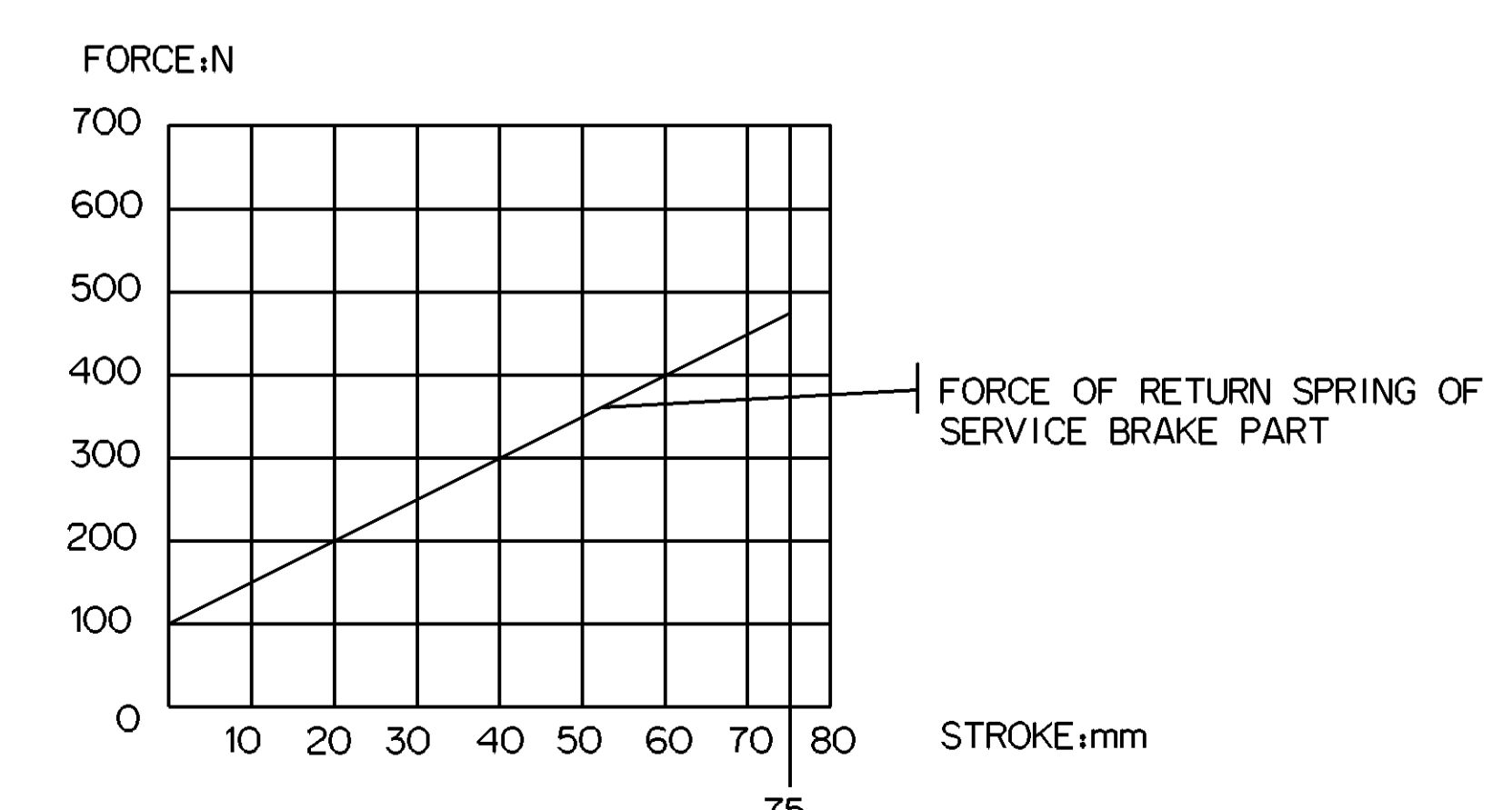
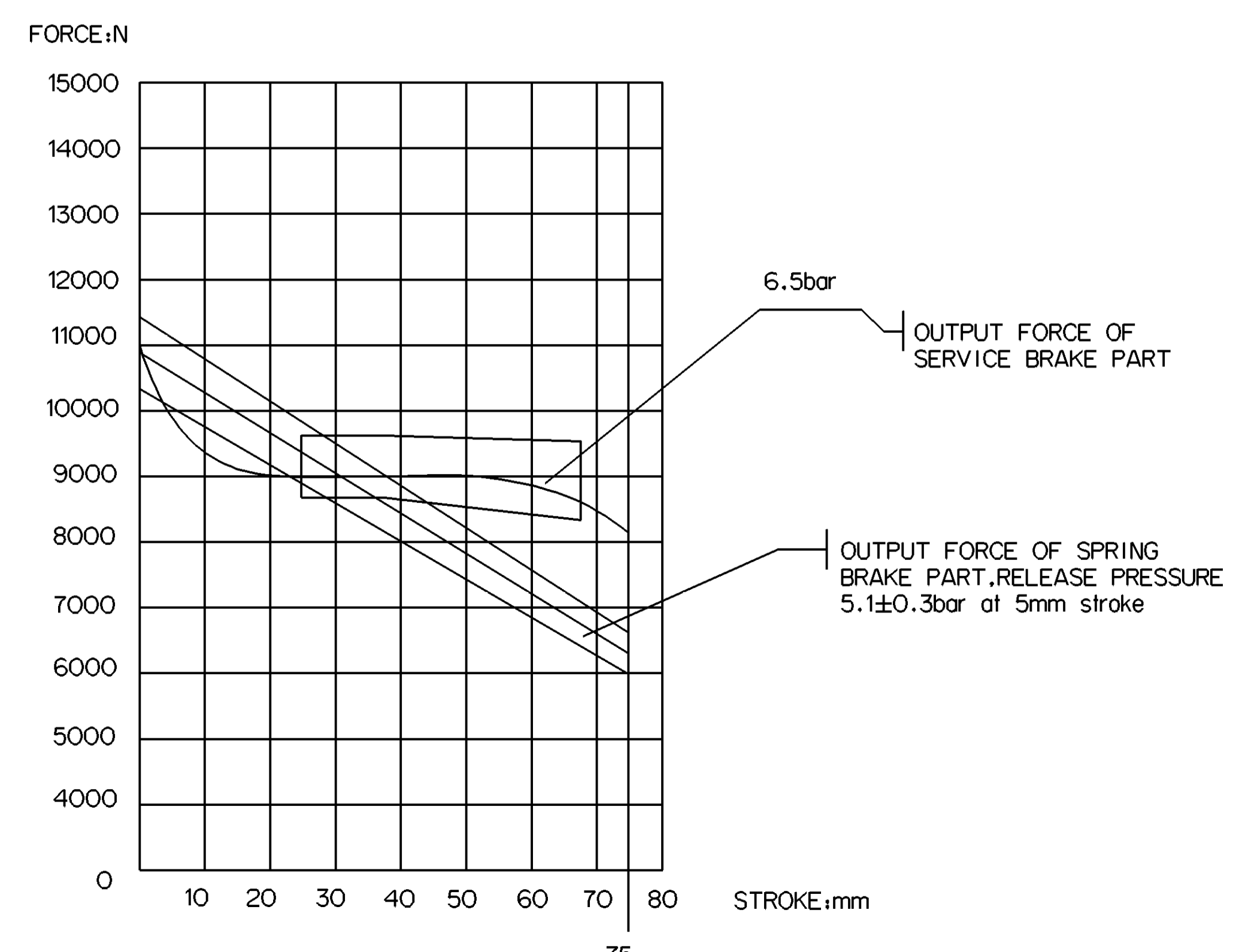
SURFACE PROTECTION	
I	ZINC PLATED WITH Cr6+ FREE
II	ELECTRO-PLATING
III	DACROMET
IV	SURFACE OXIDIZATION
V	RUBBER
VI	STICKERS
VII	BLACKENING

SAFETY CHARACTERISTICS	0
SIGNIFICANT CHARACTERISTICS	0
CUSTOMER INTERFACE	6

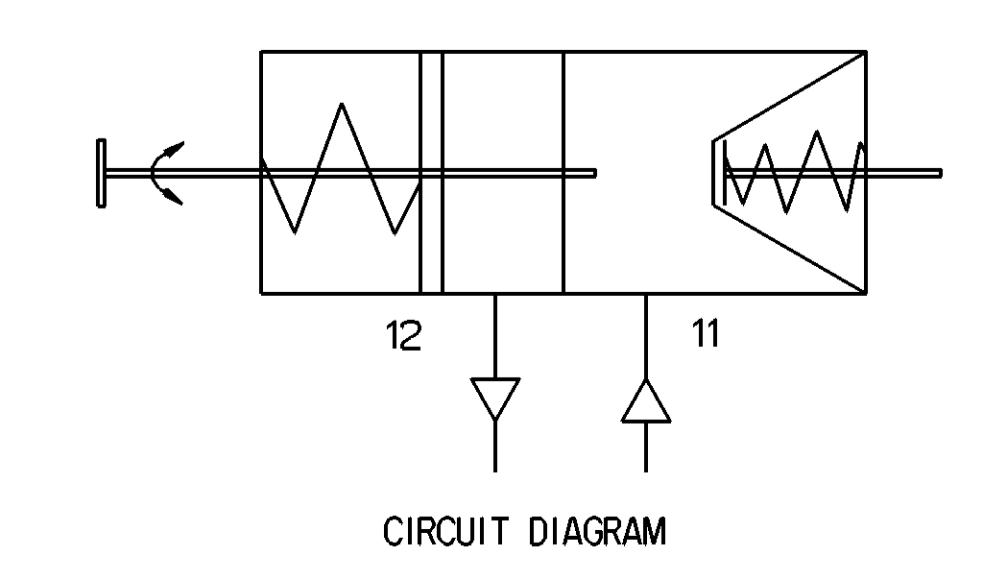


NOMINAL VALUES GIVEN FOR SERVICE SIDE, TOLERANCE BAND AS PER DIN 74060-3
 NOMINAL VALUES GIVEN FOR SPRING SIDE, TOLERANCE BAND $\pm 5\%$

GRAPHS FOR INFORMATION ONLY



- TECHNICAL REQUIREMENT:
- STROKE:
SERVICE BRAKE: ≥ 75 mm
SPRING BRAKE: ≥ 75 mm
 - WORKING PRESSURE:
SERVICE CHAMBER: Pmax 10, 2 bar, TEMPORARILY 13 bar;
PARKING CHAMBER: Pmax 8.5 bar, TEMPORARILY 11 bar.
 - WORKING TEMPERATURE: $-40^{\circ}\text{C} \dots +80^{\circ}\text{C}$; ($-40^{\circ}\text{F} \dots +176^{\circ}\text{F}$)
 - THE DRAWING IS AT CAGED CONDITION, THE PARKING CHAMBER WILL BE AT UNCAGED CONDITION DURING SHIPMENT;
 - WORKING MEDIUM: AIR.
- TORQUE: ≥ 35 Nm
 - RELEASE POSITION, RELEASING WITH: 80Nm MAX.
 - DRIVING POSITION, TIGHTENING WITH: 25^{+20}_0 Nm
 - TORQUE: MAX. 53Nm
 - ADMISSIBLE INSTALLATION POSITION
 - TORQUE: 210^{+20}_0 Nm
 - DEFLECTION: 8° MAX AT STROKE: 0 mm
 - TO BE INSTALLED WITH LOWER BREATHER HOLE OPEN



General Specifications: ISO 8768, JED-104-1, Size 10/14/15 LP		Copyright ©		ProVia	
Further Technical Data: PRO 713 041 0		Date		System	
Doc. Code: 035	Sheet: 1 To 6	2023-10-06		Varglesh	
General Tolerances: JED-261		2023-10-06		Manivanan	
Range of Nominal Dimensions (i.e. mm)		Dimensions in mm		Metric No.	
Class	1	2	3	4	5
Fine	± 0.05	± 0.10	± 0.15	± 0.2	± 0.3
Medium	± 0.1	± 0.2	± 0.3	± 0.4	± 0.5
Coarse	± 0.2	± 0.3	± 0.4	± 0.5	± 0.6
Tapped holes acc. JED-152		1) Tolerance class: Appoint chromomated		Revision	
A 0		CREO		515469	
Class		10.1		NTS	
Part No.		PRO 713 041 0		005	
Date of first issue		2020-09-17		EN 1/1	
Doc. Code		5400_AM		Replacement for	