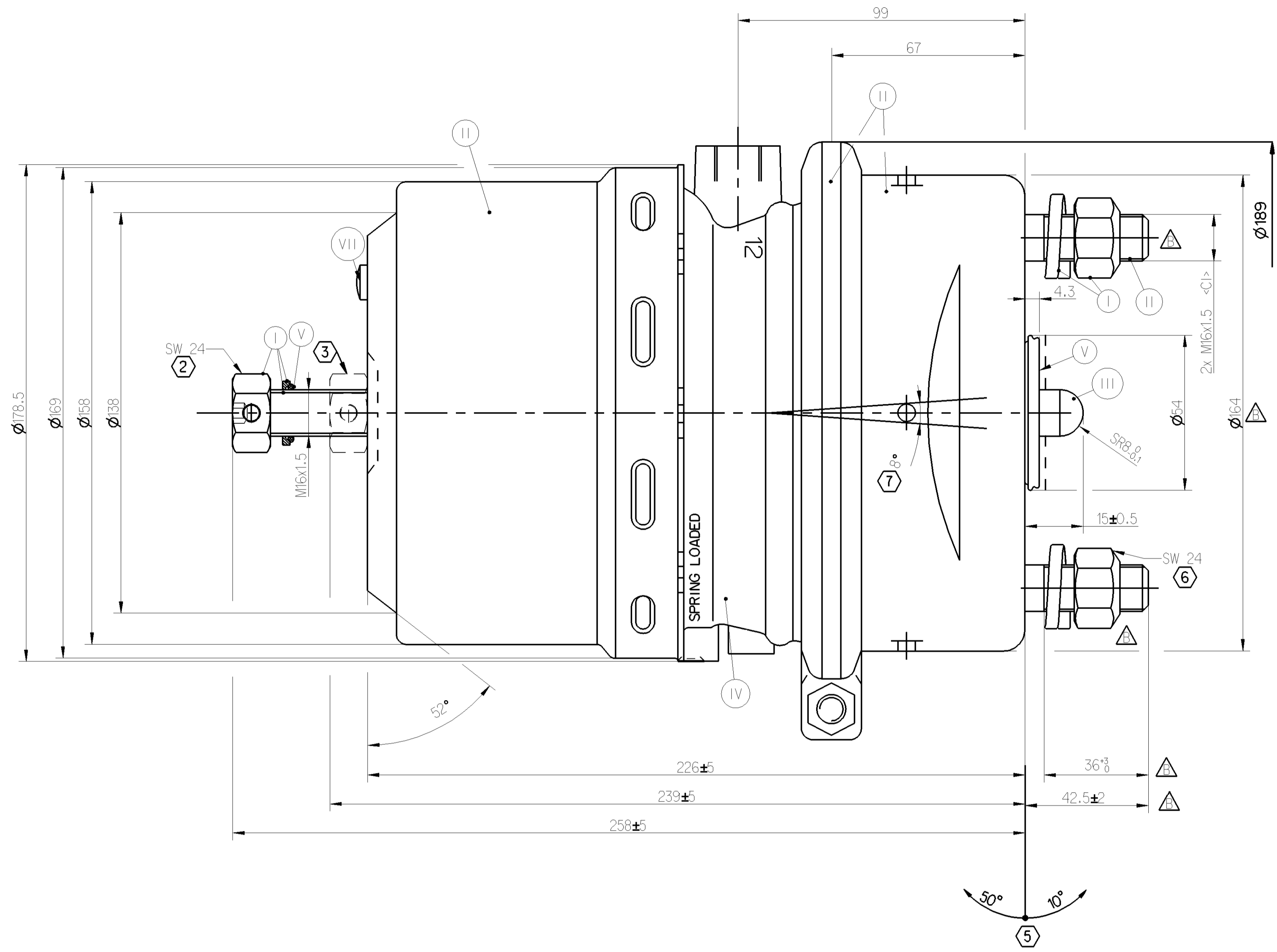
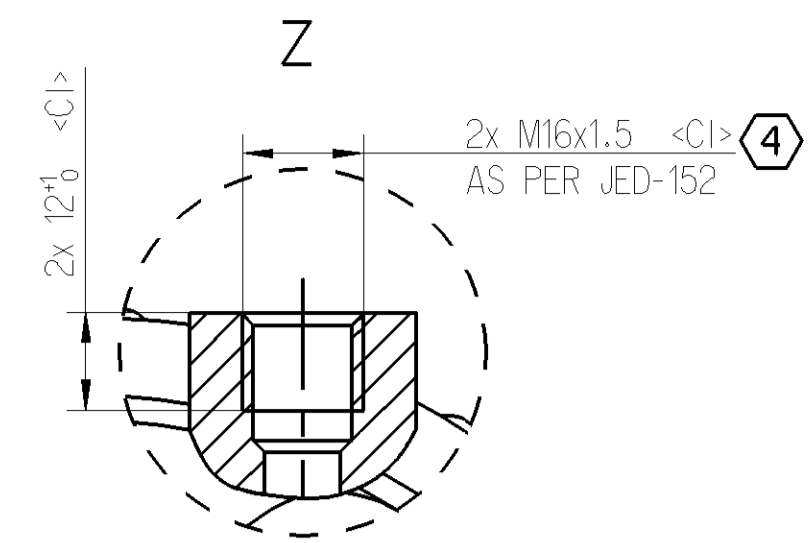
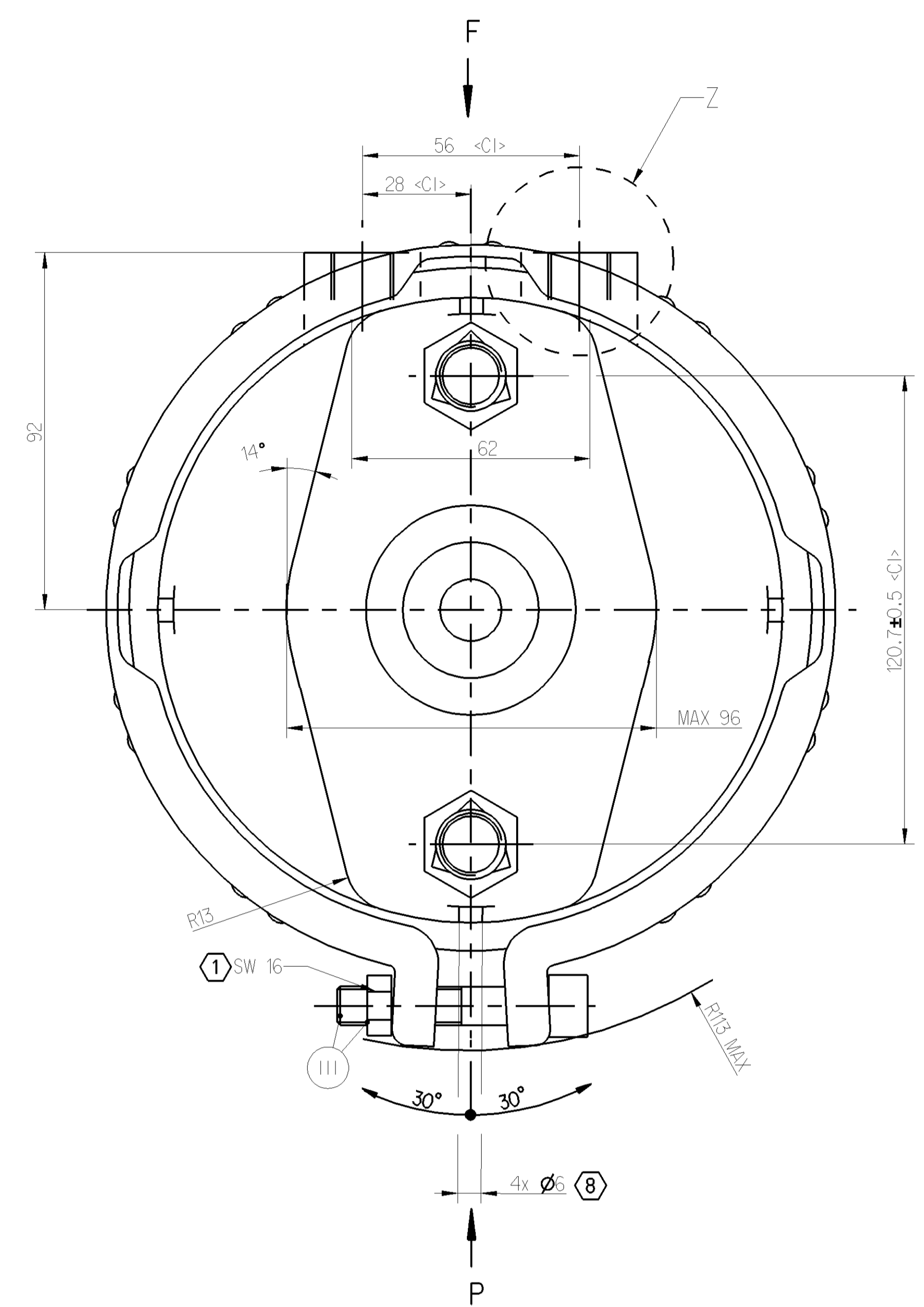
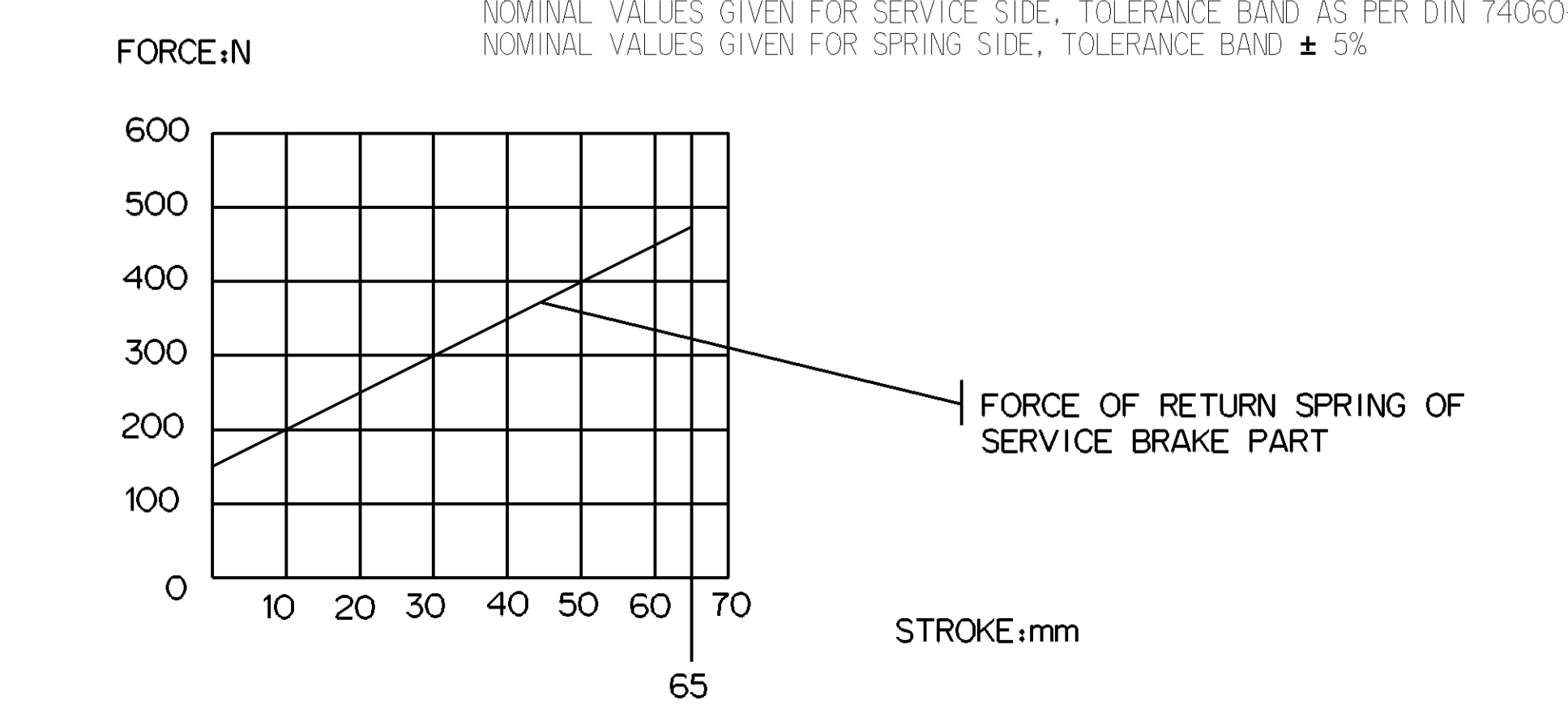
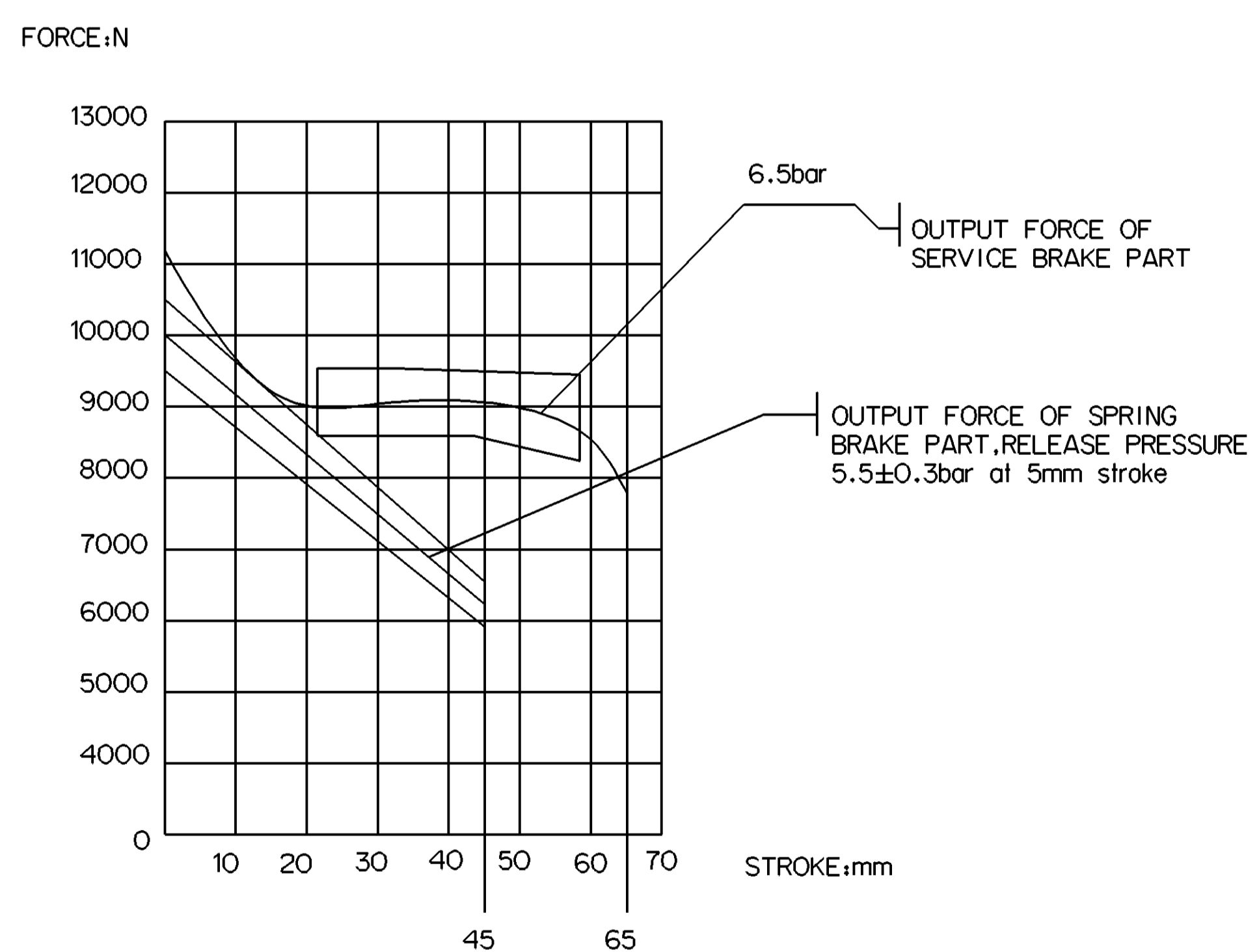


| SURFACE PROTECTION | |
|--------------------|----------------------------|
| I | ZINC PLATED WITH CR6+ FREE |
| II | ELECTRO-PAINTING |
| III | DACROMET |
| IV | SURFACE OXIDIZATION |
| V | RUBBER |
| VI | STICKERS |
| VII | BLACKENING |

| | |
|-----------------------------|---|
| SAFETY CHARACTERISTICS | 0 |
| SIGNIFICANT CHARACTERISTICS | 0 |
| CUSTOMER INTERFACE | 6 |

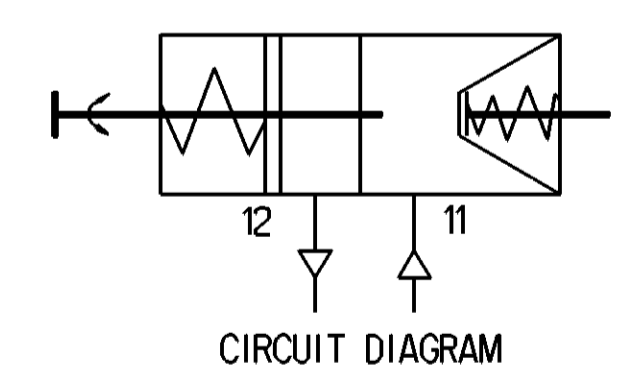
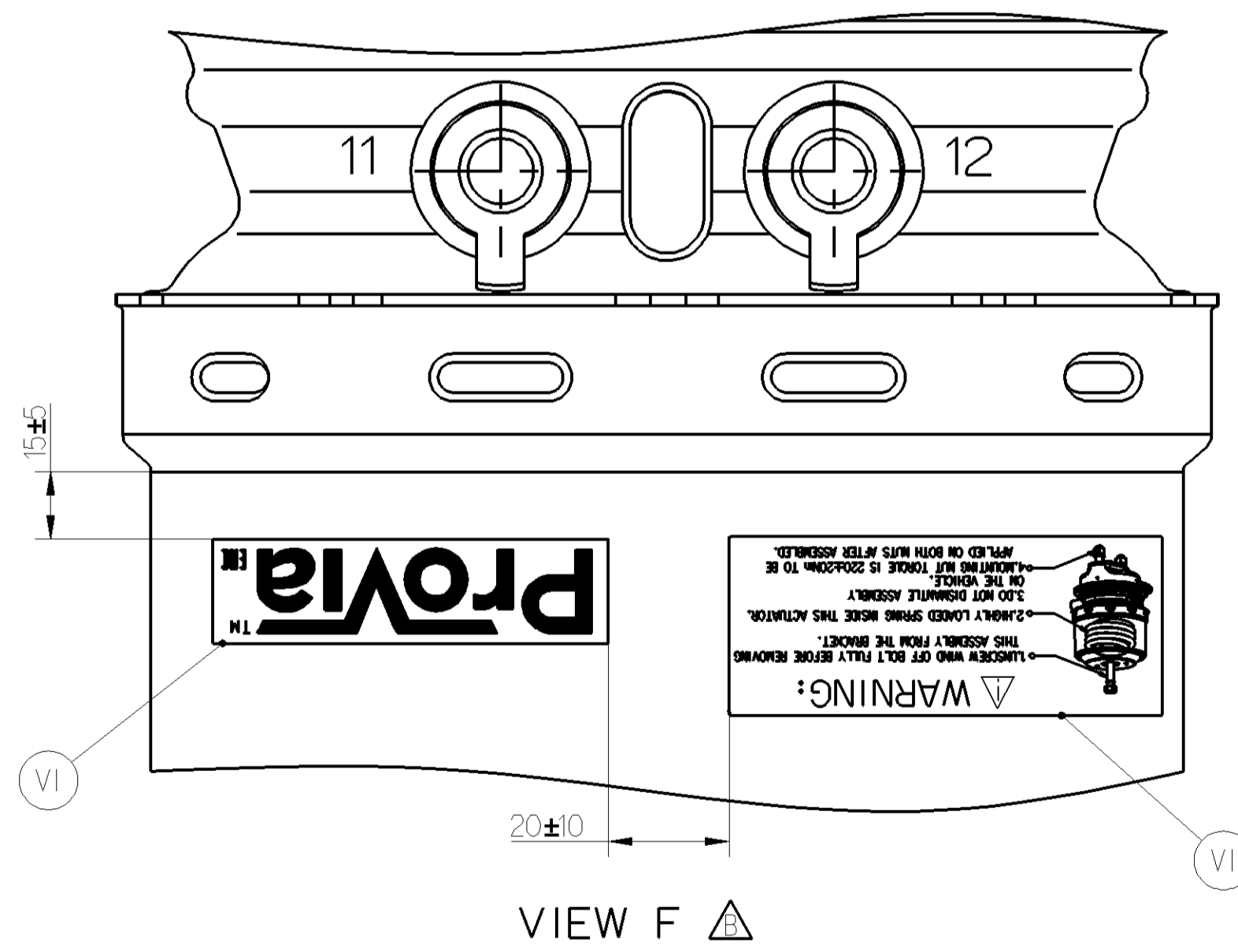
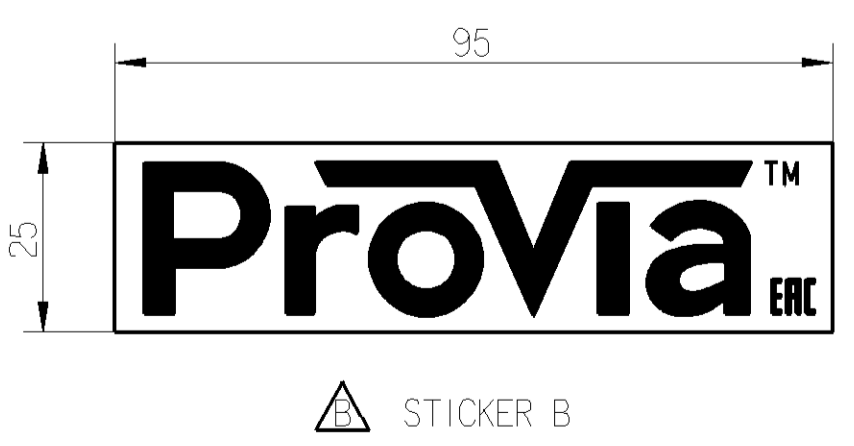
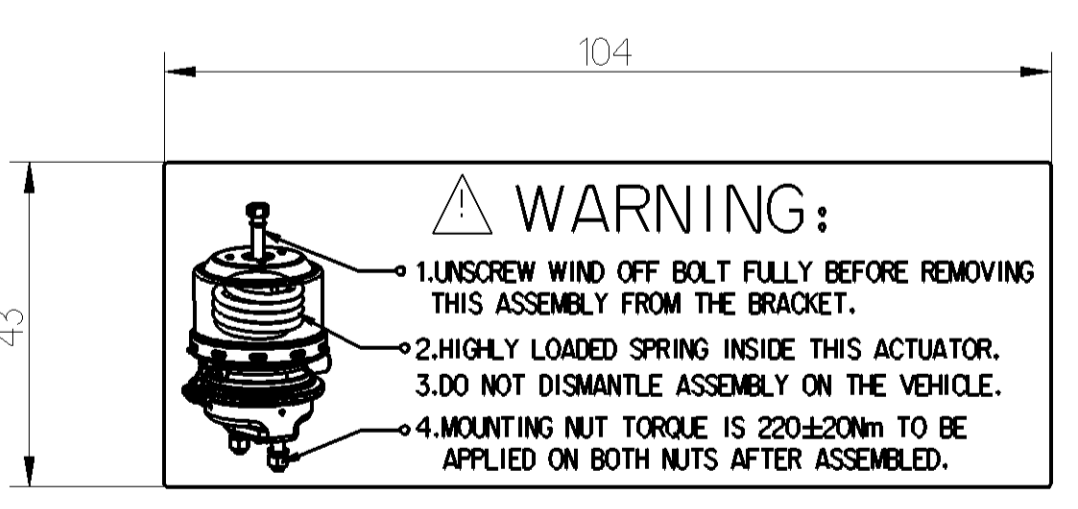


GRAPHS FOR INFORMATION ONLY



- ① TORQUE: $\geq 35\text{Nm}$
- ② RELEASE POSITION, RELEASING WITH: 80Nm MAX.
- ③ DRIVING POSITION, TIGHTENING WITH: $25^{+0.20}_{-0}$ Nm
- ④ TORQUE: MAX. 34Nm
- ⑤ ADMISSIBLE INSTALLATION POSITION
- ⑥ TORQUE: 210^{+0}_{-30} Nm
- ⑦ DEFLECTION: 8*MAX AT STROKE: 0 mm
- ⑧ TO BE INSTALLED WITH LOWER BREATHER HOLE OPEN

- TECHNICAL REQUIREMENT**
- STROKE:
SERVICE BRAKE: $\geq 65\text{mm}$;
SPRING BRAKE: $\geq 45\text{mm}$;
 - WORKING PRESSURE:
SERVICE CHAMBER: Pmax 10.2 Bar, TEMPORARILY 13 Bar;
PARKING CHAMBER: Pmax 8.5 Bar, TEMPORARILY 11 Bar.
 - WORKING TEMPERATURE: $-40^{\circ}\text{C} \dots +80^{\circ}\text{C}$; ($-40^{\circ}\text{F} \dots +176^{\circ}\text{F}$)
 - THE DRAWING IS AT CAGED CONDITION, THE PARKING CHAMBER WILL BE AT UNCAGED CONDITION DURING SHIPMENT; Δ
 - WORKING MEDIUM: AIR.



| General Specifications: ISO 8768, JED-354-1, Size (S) 14x105 LP | | Copyright ©* | | ProVia | |
|---|---------------------|--------------|------------------|---------------------------------|--------------------------------|
| Doc. Code: 030 | Sheet: 1 | To: 6 | Date: 2025-10-20 | Drawn: Varghesh | TRISTOP - BRAKE ACTUATOR 24/16 |
| General Tolerance: JED-261 | Checked: 2023-10-20 | Manuvorman | | | |
| Range of Nominal Dimensions (L x mm) | | | | | |
| Class | 1 | 2 | 3 | 4 | 5 |
| Fine | ± 0.05 | ± 0.10 | ± 0.15 | ± 0.2 | ± 0.3 |
| Medium | ± 0.1 | ± 0.2 | ± 0.3 | ± 0.4 | ± 0.5 |
| Course | ± 0.2 | ± 0.3 | ± 0.5 | ± 0.6 | ± 0.8 |
| Size | CAD System | | | | |
| Tapped holes acc. JED-152 | | | | | |
| ① Tolerance class: Approx. chromomated | | | | | |
| Dimensions in mm | | Metric No. | | Date of first issue: 2023-03-07 | |
| Metric | 7,8 | NTS | PRO 713 050 0 | Doc. Code: Language | 005 EN 1/1 |
| Size | Replacement for | | | | |
| A 0 | | CSFO | ES0766 | Revision | Trck: Reg: 54200_0AM |