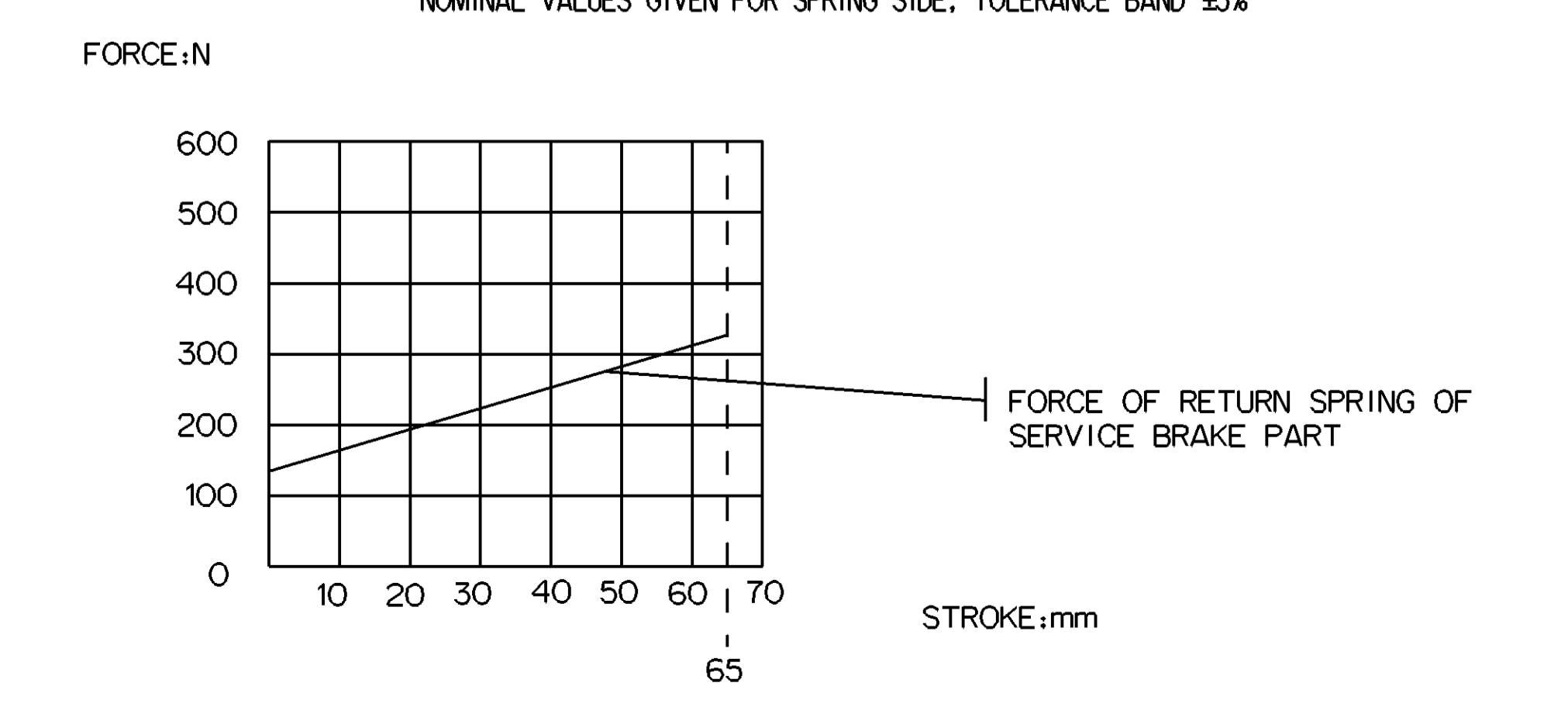
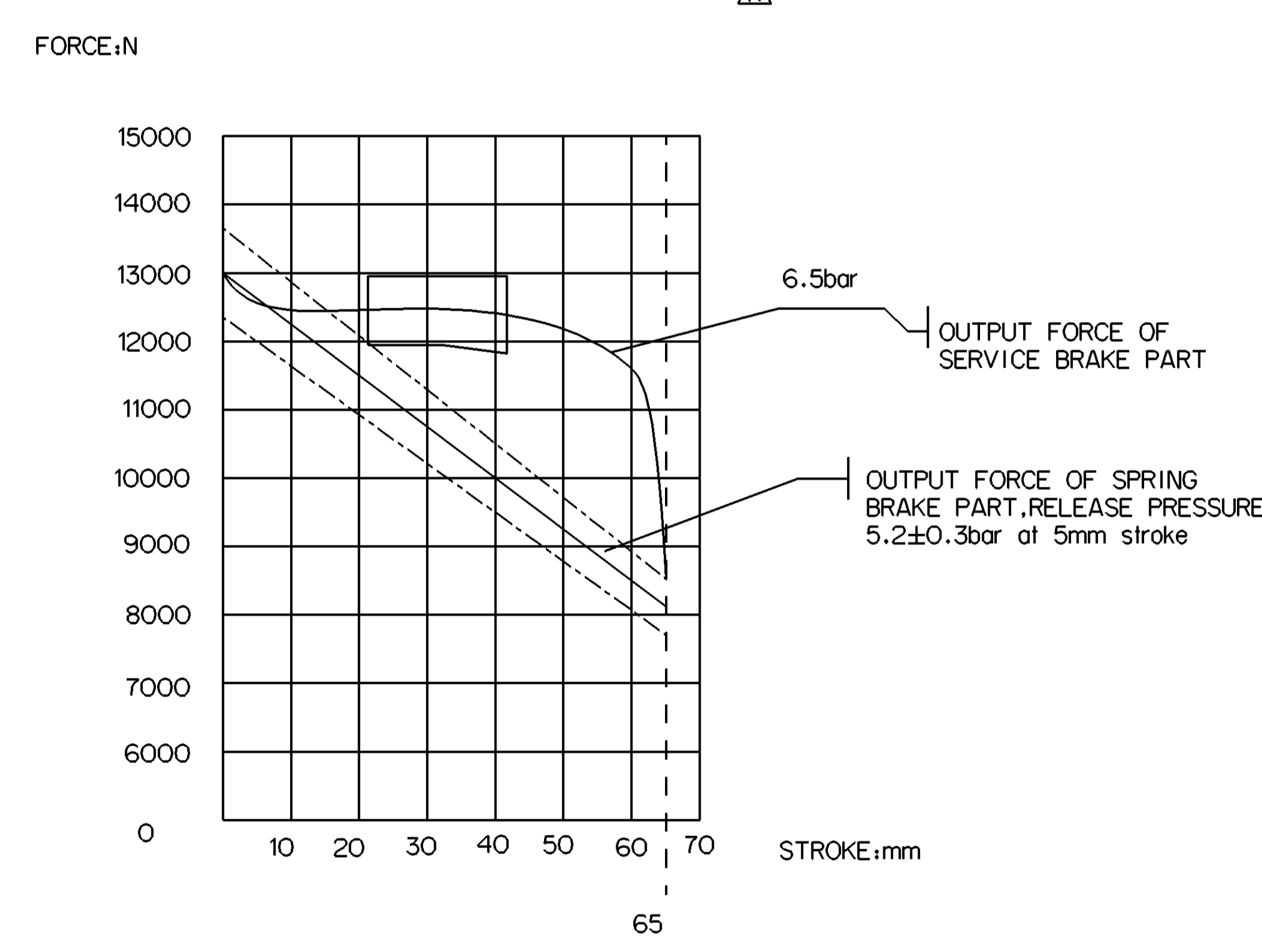
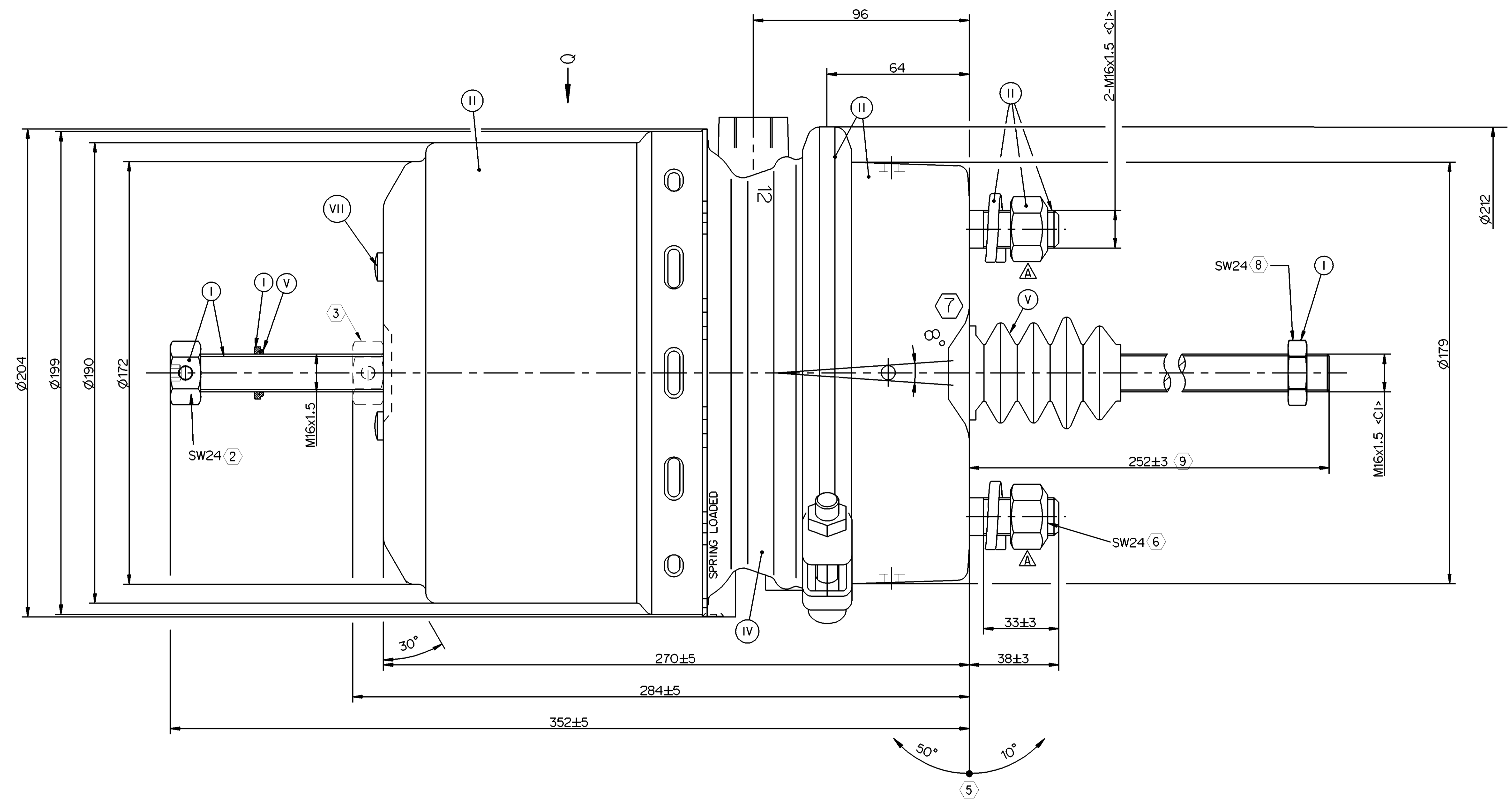
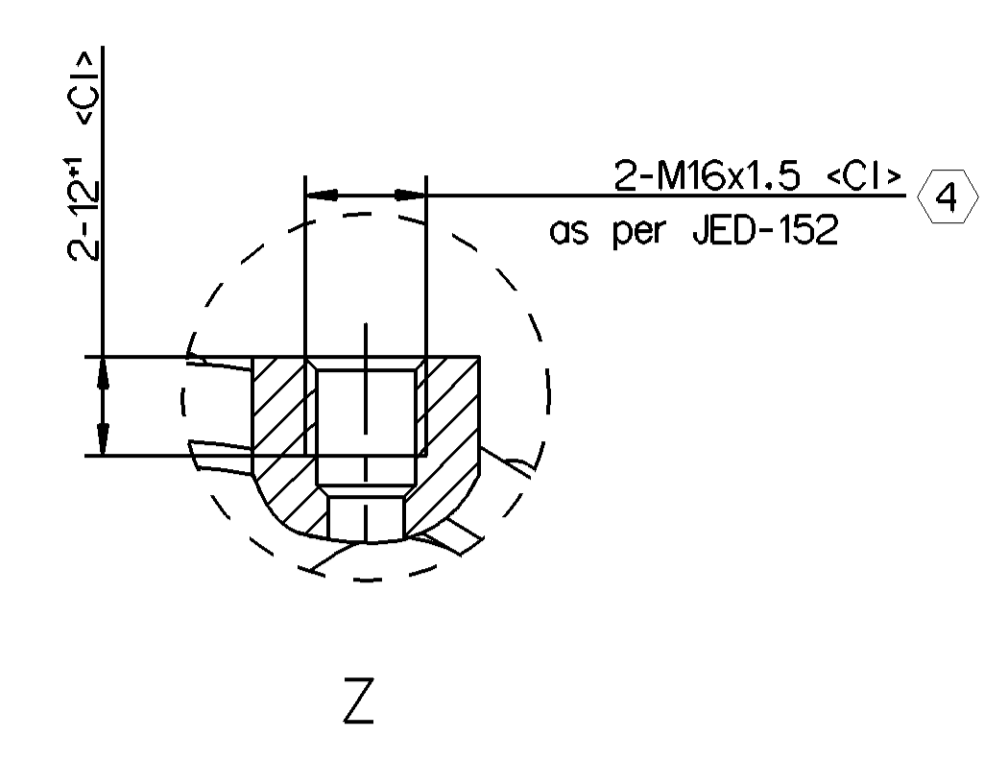
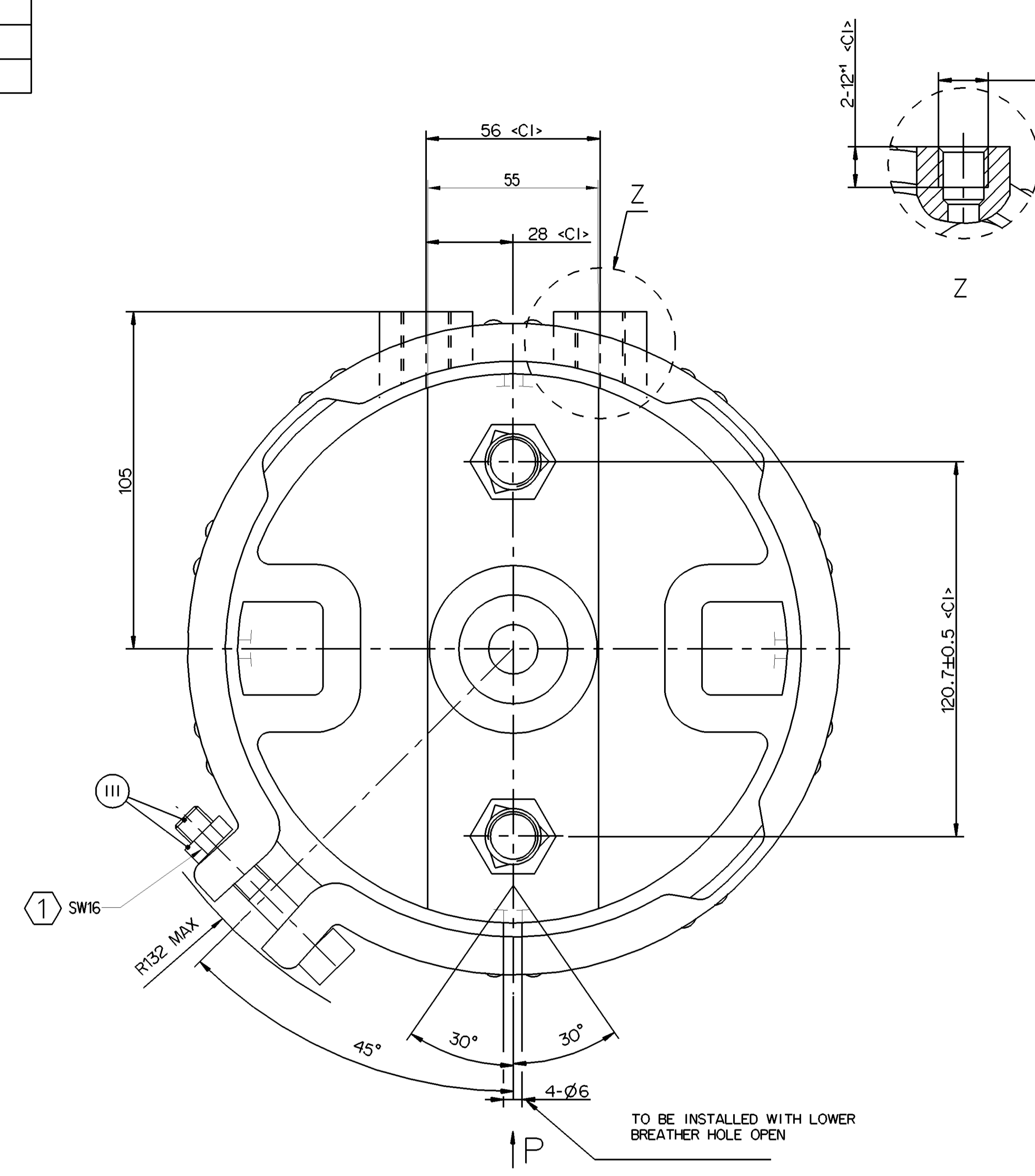


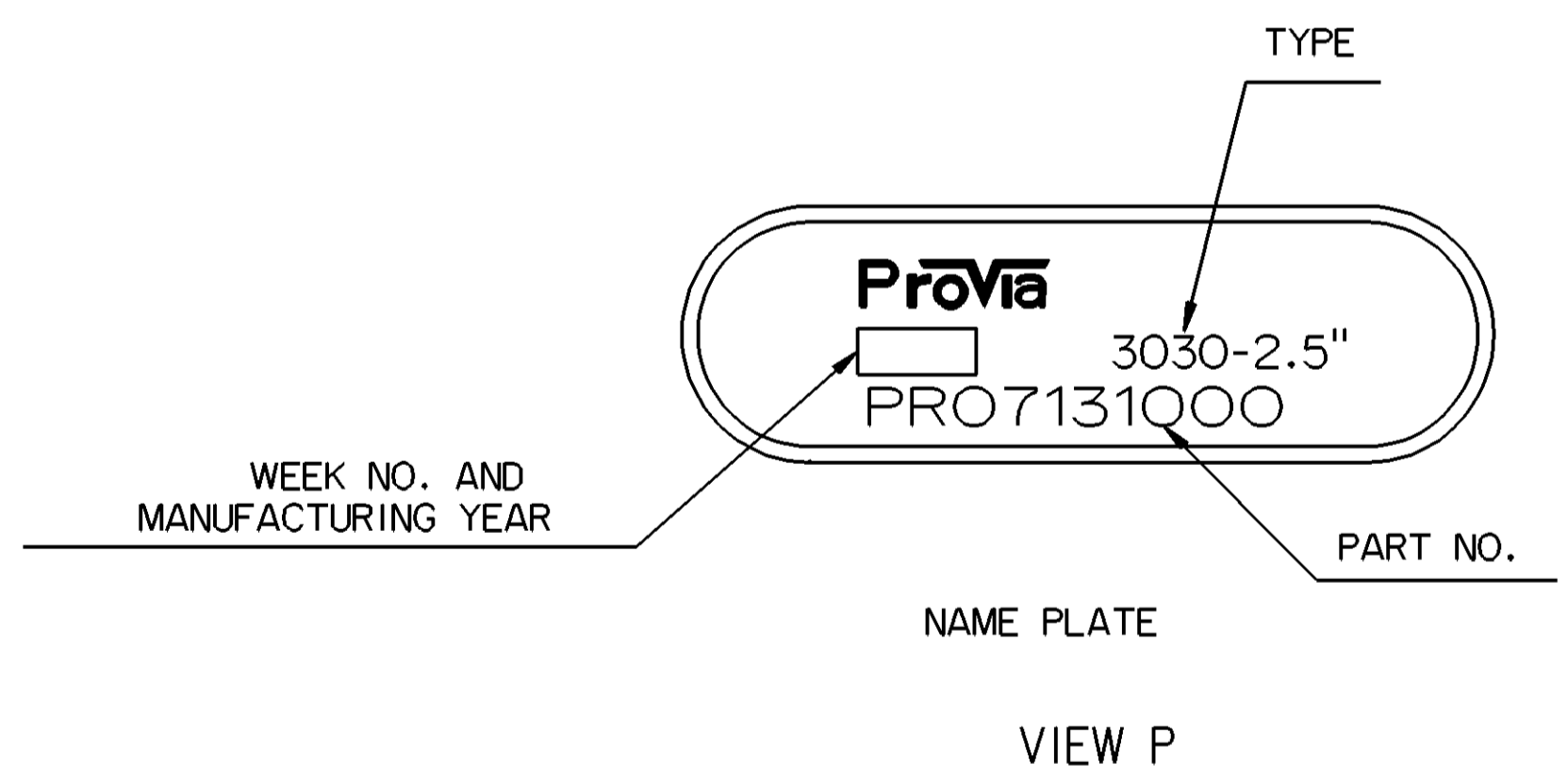
SURFACE PROTECTION	
I	ZINC PLATED WITH CR6+ FREE
II	ELECTRO-PAINTING
III	DACROMET
IV	SURFACE OXIDIZATION
V	RUBBER
VI	STICKERS
VII	BLACKENING

SAFETY CHARACTERISTICS	0
SIGNIFICANT CHARACTERISTICS	0
CUSTOMER INTERFACE	7



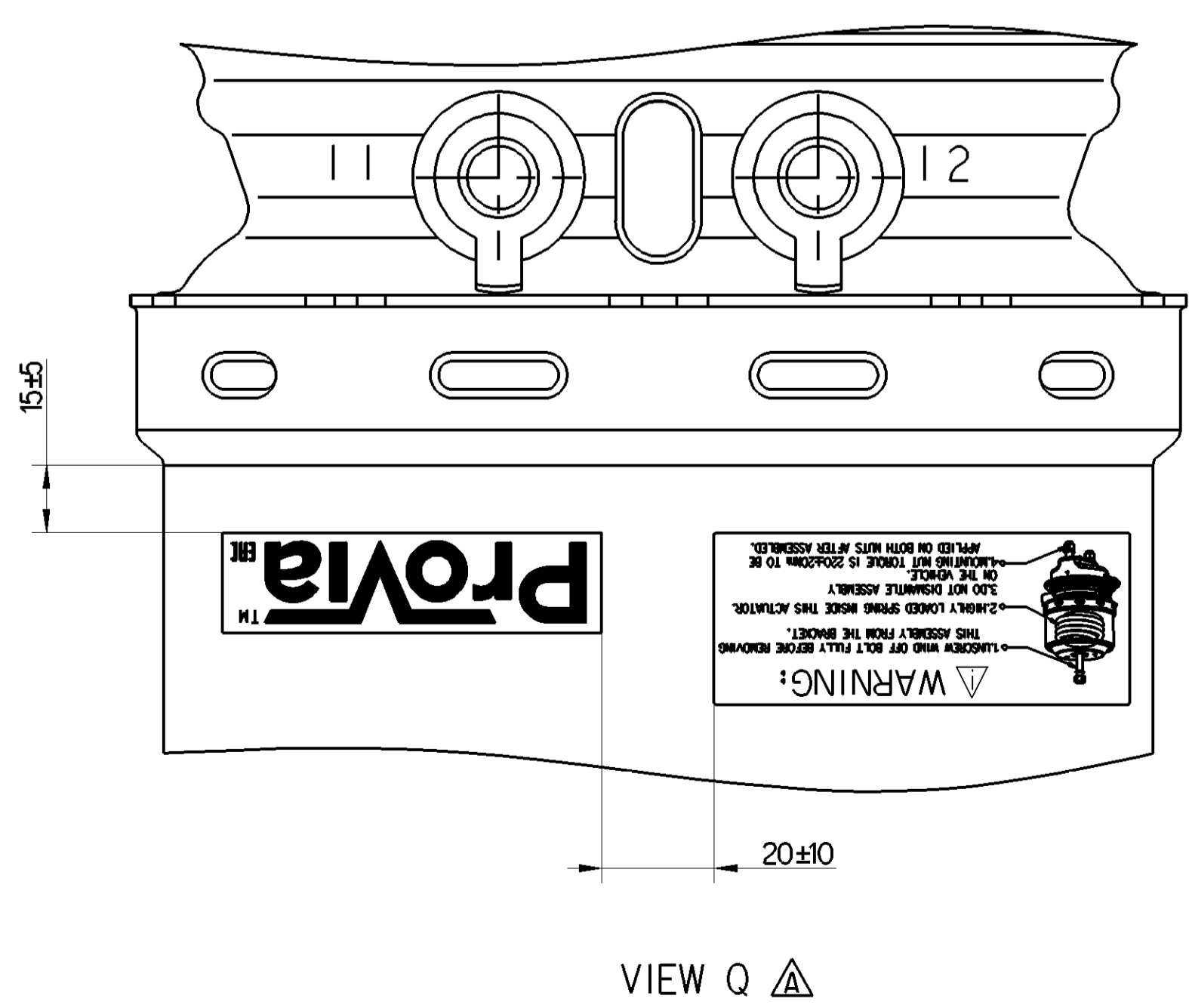
NOMINAL VALUES GIVEN FOR SERVICE SIDE, TOLERANCE BAND AS PER DIN 74060-1  
 NOMINAL VALUES GIVEN FOR SPRING SIDE, TOLERANCE BAND ±5%

GRAPHS FOR INFORMATION ONLY

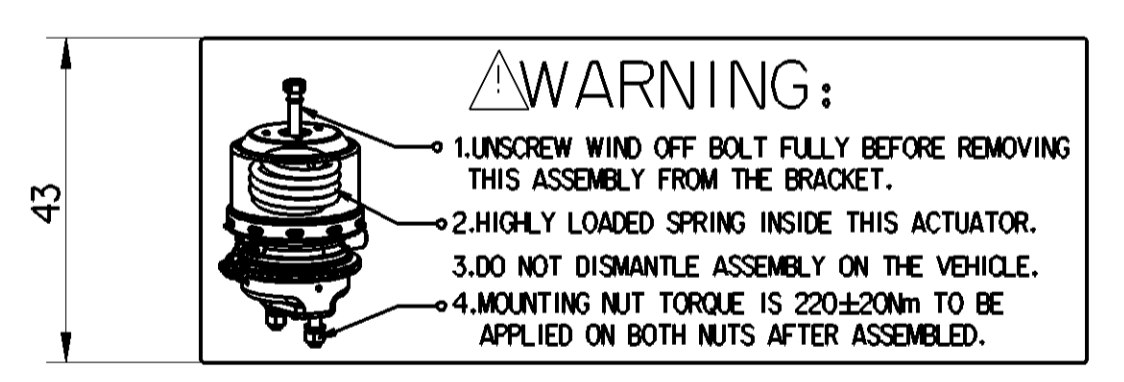


- ① TORQUE: ≥35Nm
- ② RELEASE POSITION, RELEASING WITH: 80Nm MAX.
- ③ DRIVING POSITION, TIGHTENING WITH: 25<sup>20</sup>0 Nm
- ④ TORQUE: MAX. 34Nm
- ⑤ ADMISSIBLE INSTALLATION POSITION
- ⑥ TORQUE: 210<sup>0</sup> 30 Nm
- ⑦ DEFLECTION: 8° MAX AT STROKE: 0 mm
- ⑧ TORQUE: 70±10Nm
- ⑨ RELEASE POSITION, STAND-OUT DIMENSION

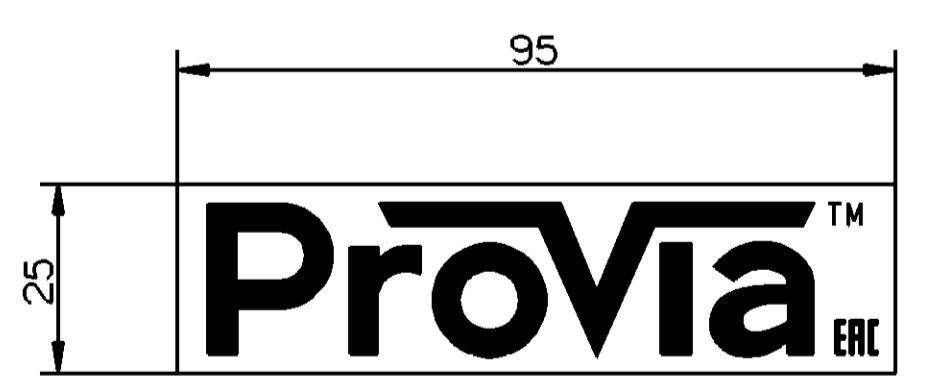
- TECHNICAL REQUIREMENT:
1. STROKE:  
 SERVICE BRAKE: ≥65mm  
 SPRING BRAKE: ≥65mm;
  2. WORKING PRESSURE:  
 SERVICE CHAMBER: Pmax 10.2 bar, TEMPORARILY 13 Bar;  
 PARKING CHAMBER: Pmax 8.5 bar, TEMPORARILY 11 Bar.
  3. WORKING TEMPERATURE: -40°C...+80°C; (-40°F...+176°F);
  4. THE DRAWING IS AT CAGED CONDITION, THE PARKING CHAMBER WILL BE AT UNCAGED CONDITION DURING SHIPMENT. ⚠
  5. WORKING MEDIUM: AIR.



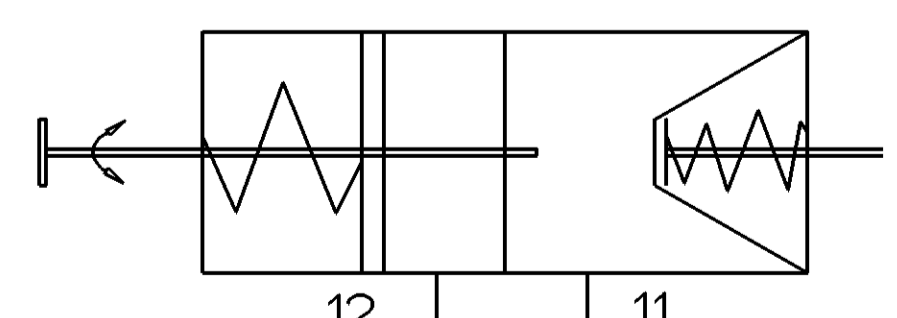
VIEW Q ⚠



STICKER A ⚠



STICKER B ⚠



CIRCUIT DIAGRAM

General Specification: ISO 8768, JED-104-1, Size (S) 14105 LP		Copyright ©		ProVia	
Doc. Code: 030	Sheet: 1	Date: 2023-07-18	Drawn: Varglesh	Doc. Code: 005	2020-05-20
General Tolerance: JED-261		2023-07-18		TRISTOP - BRAKE ACTUATOR	
Range of Nominal Dimensions (± a mm)		2023-07-18		005 EN 1/1	
Class	± a	± a	± a	± a	± a
Fine	±0.05	±0.10	±0.15	±0.2	±0.3
Medium	±0.1	±0.2	±0.3	±0.4	±0.5
Coarse	±0.2	±0.3	±0.4	±0.5	±0.6
Tapped holes acc. JED-152		1) Tolerance class: Approx. (unmarked)		Replacement for	
A 0		CREO		S380_AM	