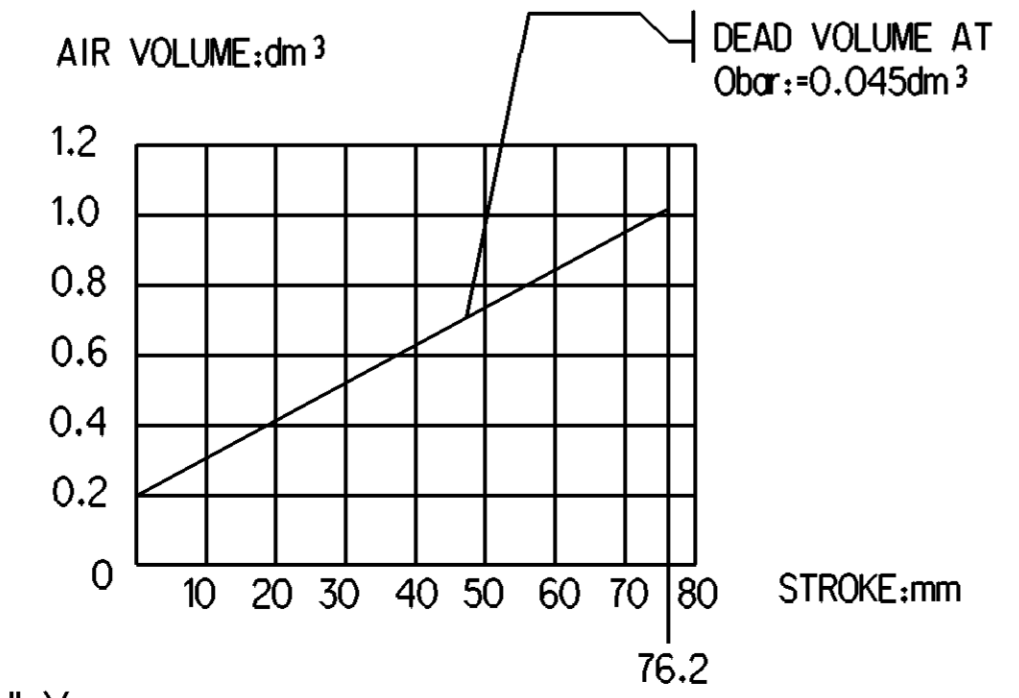
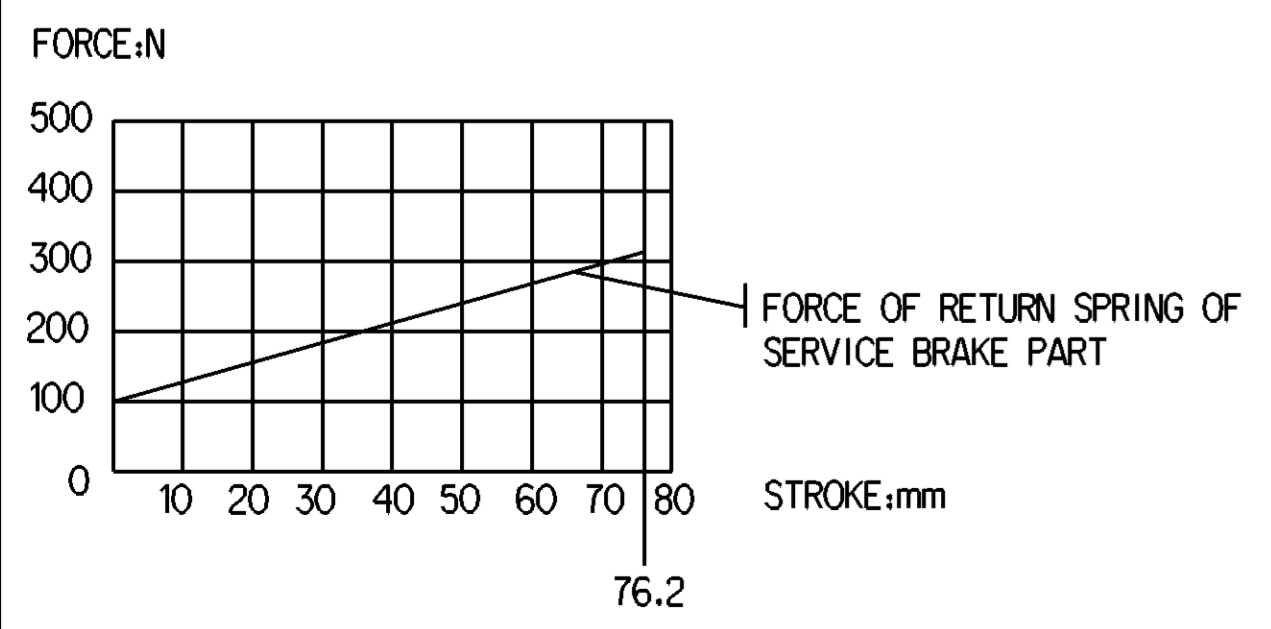
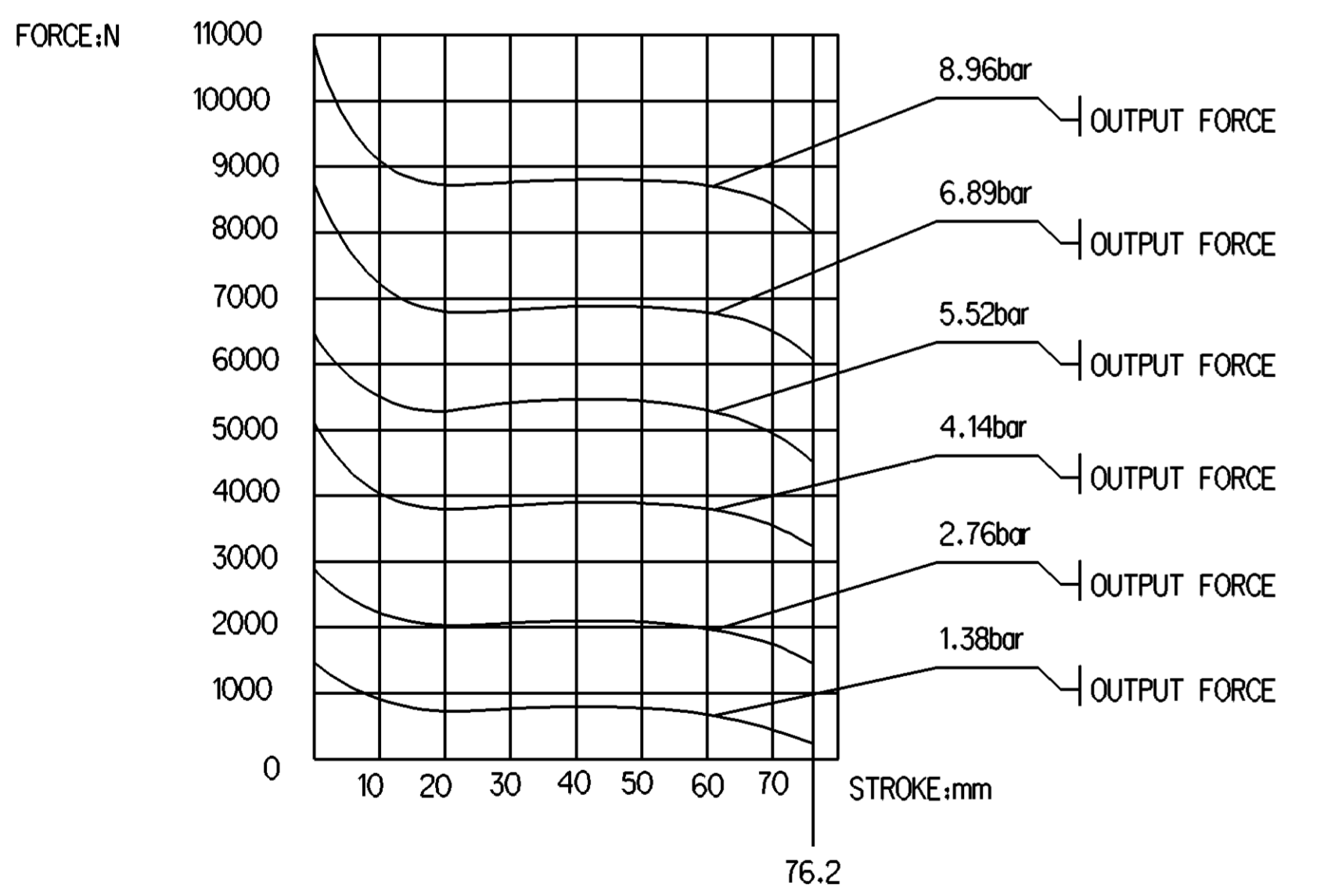
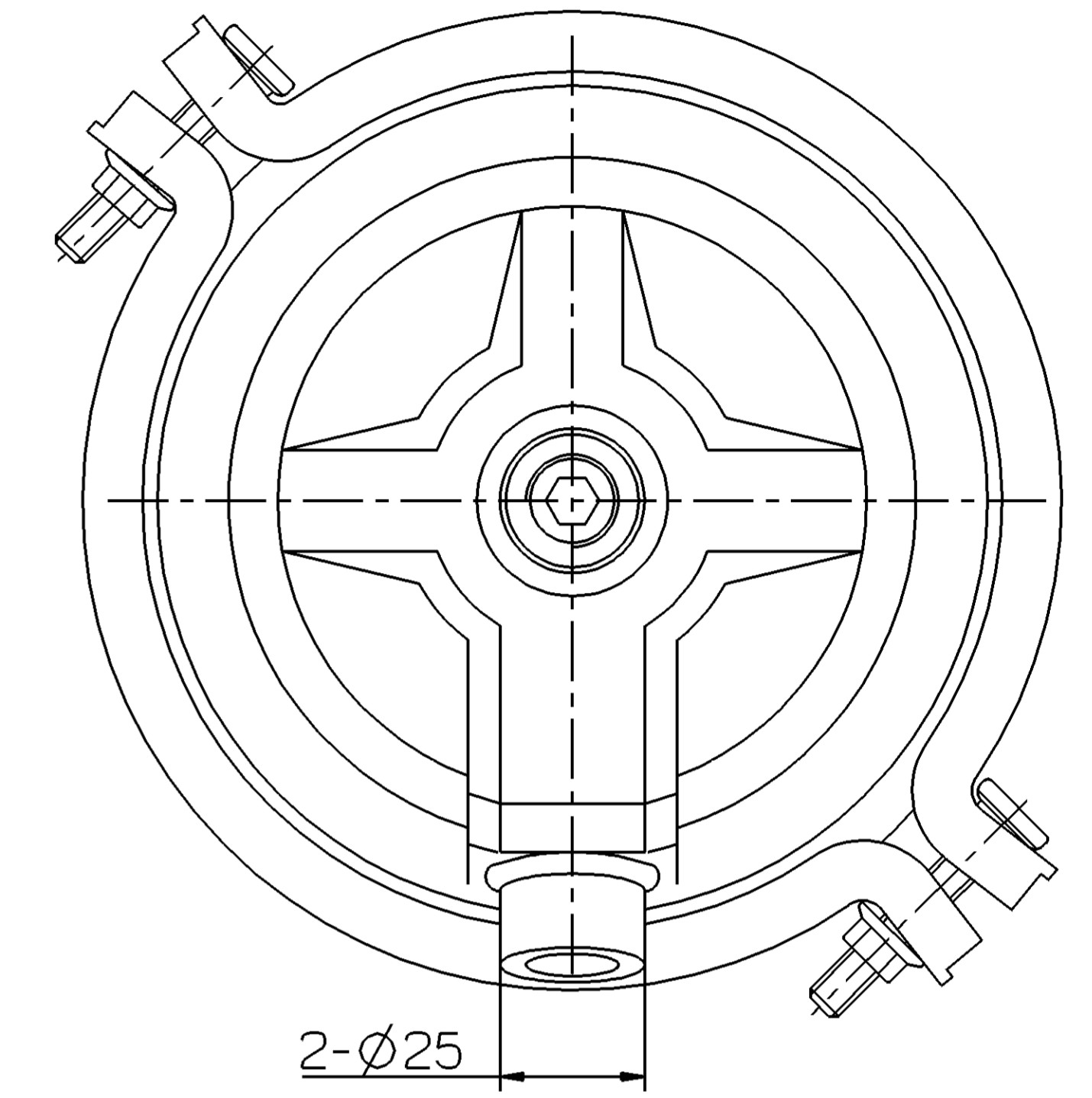
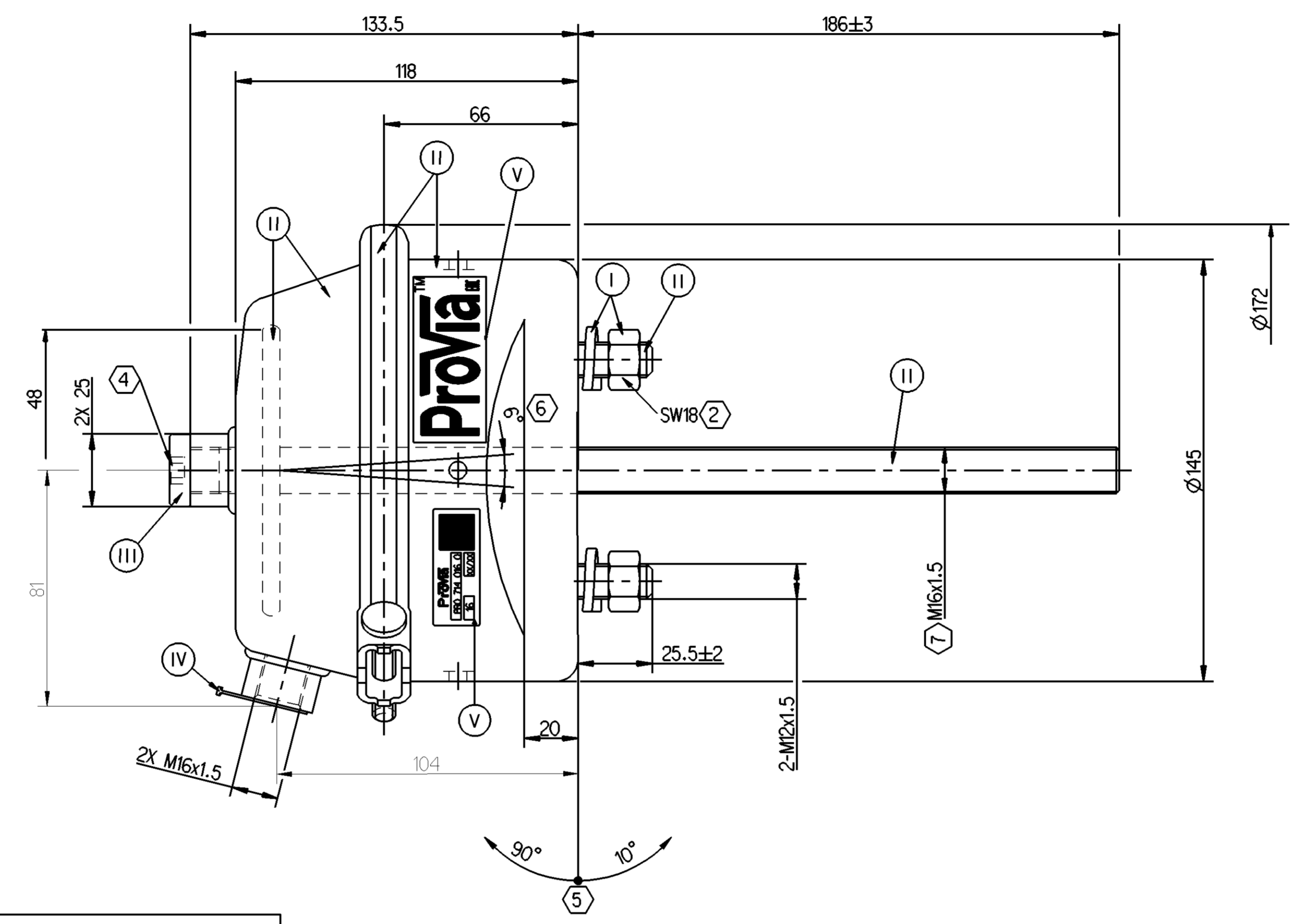
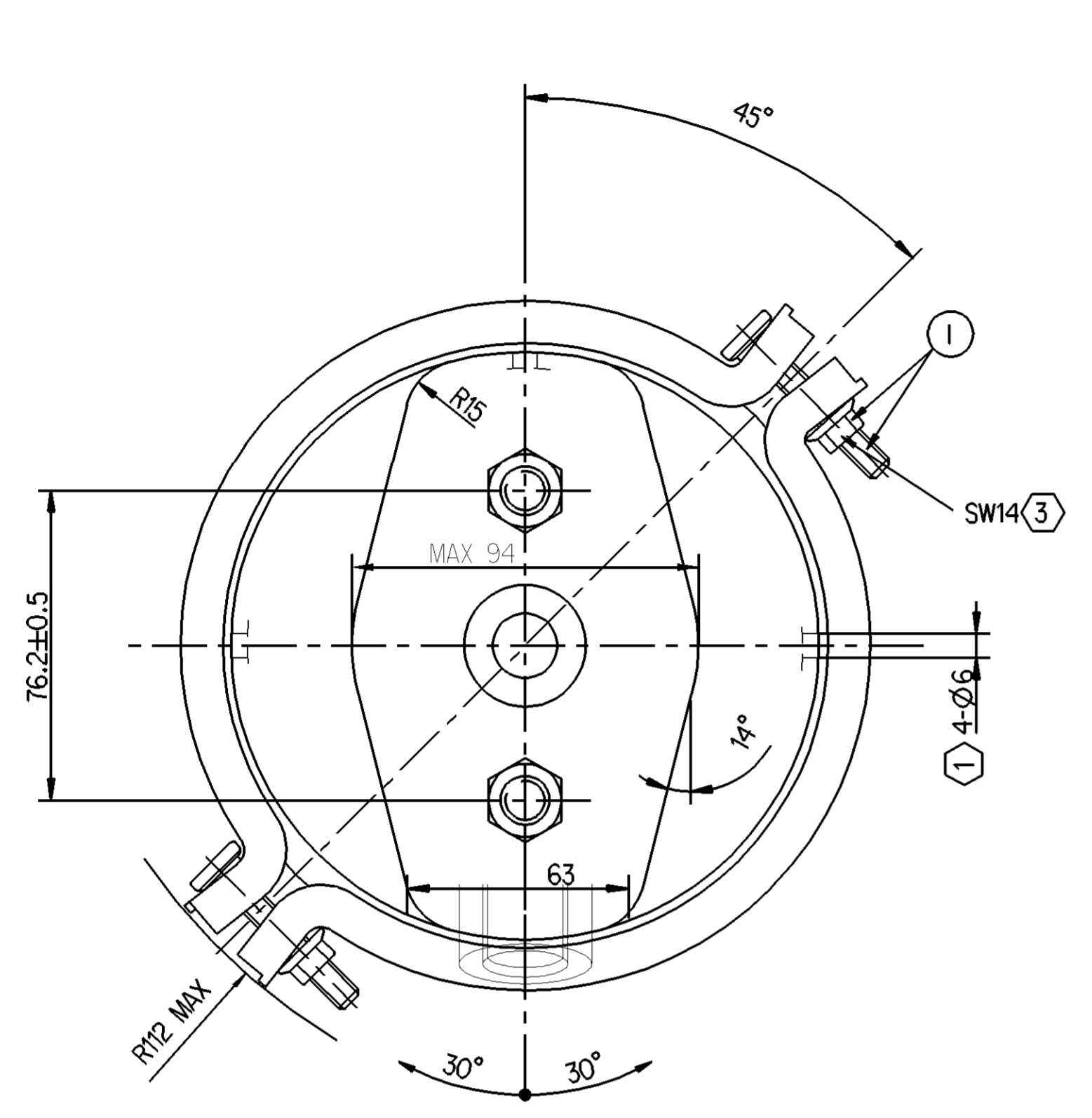


SURFACE PROTECTION	
I	ZINC PLATED WITH CR6+ FREE
II	ELECTRO-PAINTING
III	DACROMET
IV	HARD POLYETHYLENE
V	STICKER

<-	SAFETY CHARACTERISTICS	0
>-	SIGNIFICANT CHARACTERISTICS	0

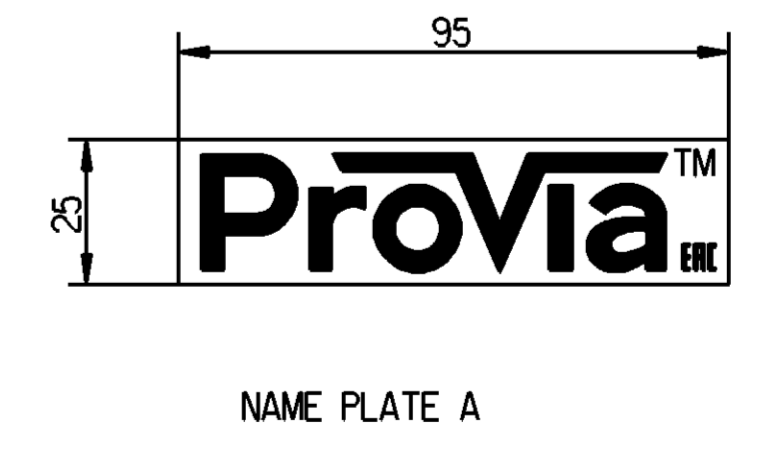
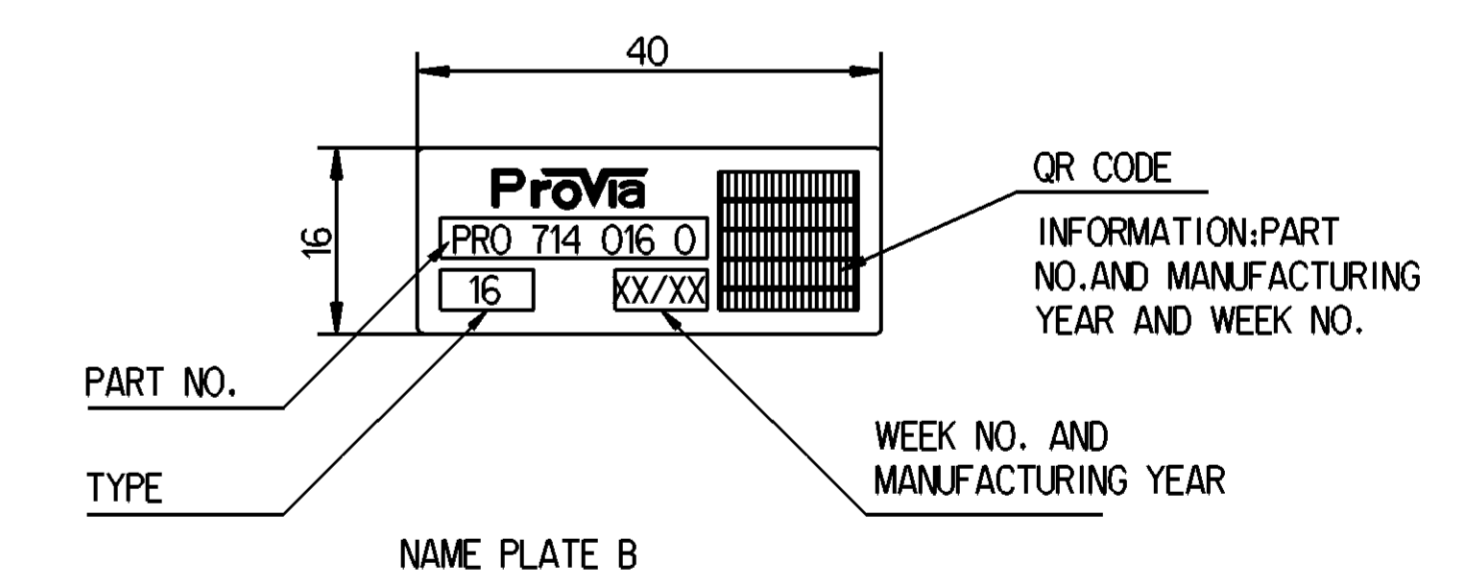


GRAPHS FOR INFORMATION ONLY

- ① OPEN BREATHER HOLE
- ② TORQUE: 70⁺¹⁶ Nm
- ③ TORQUE: ≥25Nm
- ④ TORQUE: 45±5Nm
- ⑤ ADMISSIBLE INSTALLATION POSITION
- ⑥ DEFLECTION: 6° MAX AT STROKE:0 mm
- ⑦ TORQUE: 80±10 Nm

TECHNICAL REQUIREMENT:

1. STROKE: ≥75mm;
2. WORKING PRESSURE: Pmax. 8.5 bar, Temporarily 10 bar;
3. WORKING TEMPERATURE: -40°C...+80°C (-40°F...+176°F);



General Specifications: JED-334-1 - Size ISO 14405 LP		Copyright WABCO®	
Further Technical Data: Pro 714 016 0		Date	Signature
Doc. Code: 035	Sheet: 01 To 05	2019-09-19	Saravanan
General Tolerances JED-261		Checked	
Range of Nominal Dimensions (± mm)		2019-10-04	
Class	1) ≤ 50	2) > 50	3) > 180
Fine	± 0.5	± 1.0	± 2.0
Medium	± 1.0	± 2.0	± 3.0
Coarse	± 2.0	± 3.5	± 5.0
Tapped Holes acc. JED-152		Expert	
1) Tolerance Class Applied Crossmarked		Aswin kumar	
Mass		Scale	
3.4 KG		1:1	
Size		CAD System	
A 1		CREO	
Material No.		Date of first issue	
PRO 714 016 0		005 EN 1/1	
Ech.No.		Revision	
-		5340_AM	
Techn. Resp.		Replacement for	
-		-	