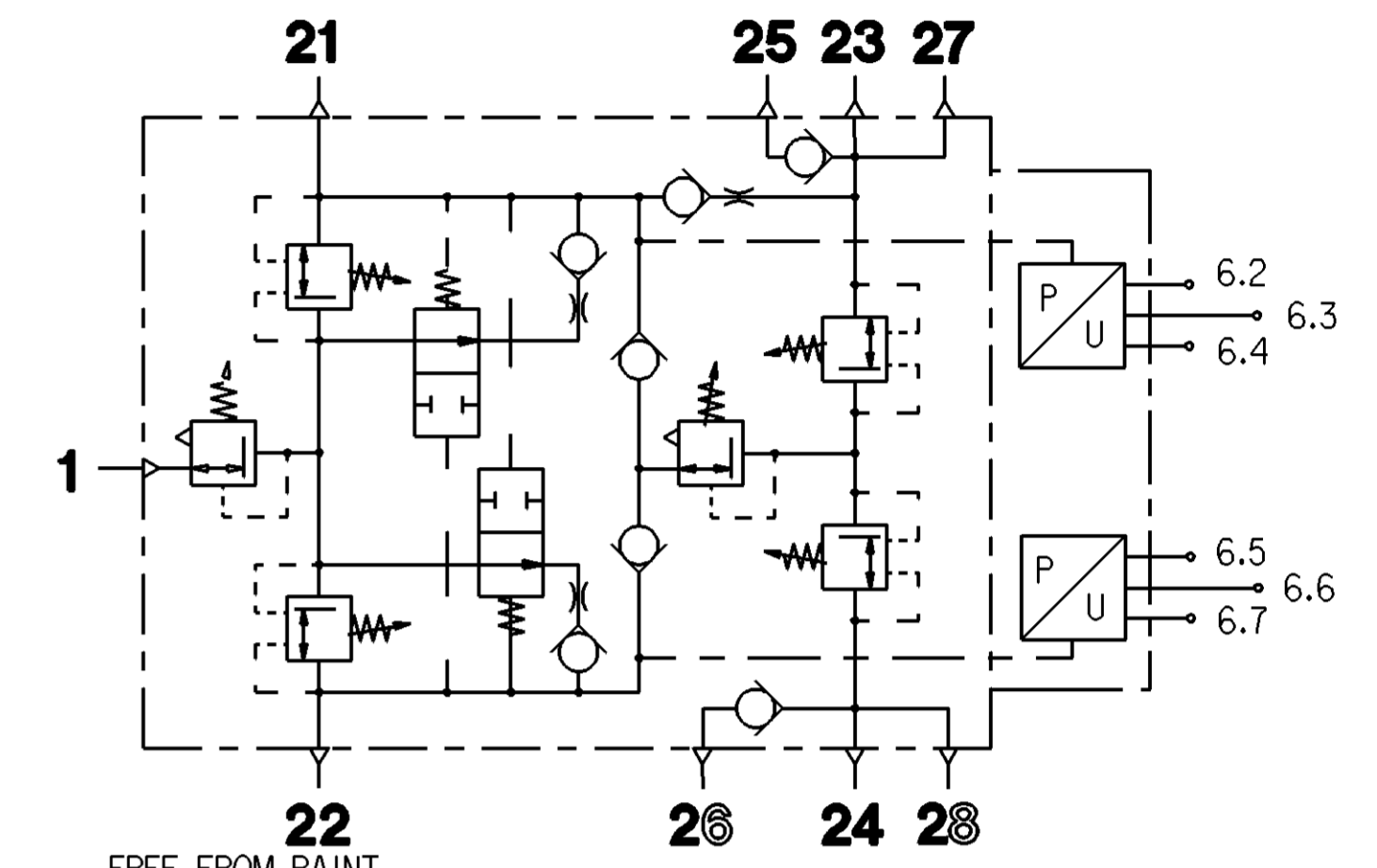


EXTERNAL SURFACE ÄUSSERE OBERFLÄCHE SURFACE EXTERIEURE SUPERFICIE ESTERNA	I JED-259-3	
	II JED-256	
	III JED-352-1	
	IV JED-534-1	

THERMAL RANGE OF CONTINUOUS APPLICATION:
 THERMISCHER DAUERANWENDUNGSBEREICH:
 PLAGE DE TEMPERATURE EN UTILISATION CONTINUE: -40°C...+80°C
 COMPO DI APPLICAZIONE CONTINUA:
 MEDIUM: COMPRESSED AIR
 MEDIUM: DRUCKLUFT
 FLUIDE: AIR COMPRIME
 FLUIDO: ARIA COMPRESSA
 WORKING PRESSURE:
 BETRIEBSDRUCK:
 PRESSION DE SERVICE: $p_{e,max.}=13\text{bar}$
 PRESSIONE D'ESERCIZIO:
 INSTALLATION POSITION OPTIONAL
 EINBAULAGE BELIEBIG
 POSITION D'INSTALLATION A VOLONTE
 POSIZIONE DI MONTAGGIO A SCELTA



FREE FROM PAINT
 FARBFREI
 EXEMPT DE PEINTURE
 NON VERNICIARE

CONNECTIONS: ANSCHLUESSE: ORIFICES: ORIFIZI:	1	FROM AIR DRYER VOM LUFTTROCKNER DE DESSICATEUR D'AIR ESSICCATORE D'ARIA	
	21	CIRCUIT KREIS CIRCUIT CIRCUITO	1
	22		2
	23, 25, 27	CIRCUIT KREIS CIRCUIT CIRCUITO	3
	24, 26, 28		4

PRESSURE DRUCK PRESSION PRESSIONE	[bar]	CIRCUIT KREIS CIRCUIT CIRCUITO	1+2	CIRCUIT KREIS CIRCUIT CIRCUITO	3+4
OPENING PRESSURE OEFNUNGSDRUCK PRESSION D'OUVERTURE PRESSIONE DI APERTURA:	dyn. 9.0 ⁰ _{-0.3}				7.5 ⁰ _{-0.3}
CLOSING PRESSURE SCHLIESSDRUCK PRESSION DE FERMETURE PRESSIONE DI CHIUSURA:	dyn. ≥ 7.0				≥ 4.5
PRESSURE LIMITING DRUCKBEGRENZUNG LIMITATION DE PRESSION LIMITAZIONE DI PRESSIONE	10 ± 0.2				8.5 ⁰ _{-0.4}

PRESSURE SENSOR MODULE
 DRUCKSENSORMODUL
 MODULE DE CAPTEUR DE PRESSION
 MODULO DI SENSORE DI PRESSIONE

MEASURING PRINCIPLE :PIEZO-RESISTIVE
 MESSPRINZIP :PIEZORESISTIV
 PRINCIPE DE MESURE :PIEZORESISTIF
 PRINCIPIO DI MISURA :PIEZORESISTIVO

SUPPLY VOLTAGE : 5V DC ± 5 %
 SPEISESPANNUNG
 TENSION D'ALIMENTATION
 TENSIONE D'ALIMENTAZIONE

CURRENT CONSUMPTION : Max. 30 mA (2x Max. 15mA)
 STROMAUFNAHME
 CONSUMATION DE COURANT
 ASSORBIMENTO DI CORRENTE

INRUSH CURRENT : ≤ 115 mA (t ≤ 16µs)
 EINSCHALTSTROM
 COURANT D'APPEL
 CORRENTE DI INSERIMENTO

PORT : ANSCHLUSS
 ORIFICE
 ORIFIZIO

OFFSET : 1 V
 OFFSET
 DEPLACEMENT DE VALEURS
 DIFFERIMENTO DEI VALORI

SENSITIVITY : 250 mV / bar
 EMPFINDLICHKEIT
 SENSIBILITE
 SENSIBILITA

LINEARITY : ± 0.3 % FS
 LINEARITAET
 LINEARITE
 LINEARITA

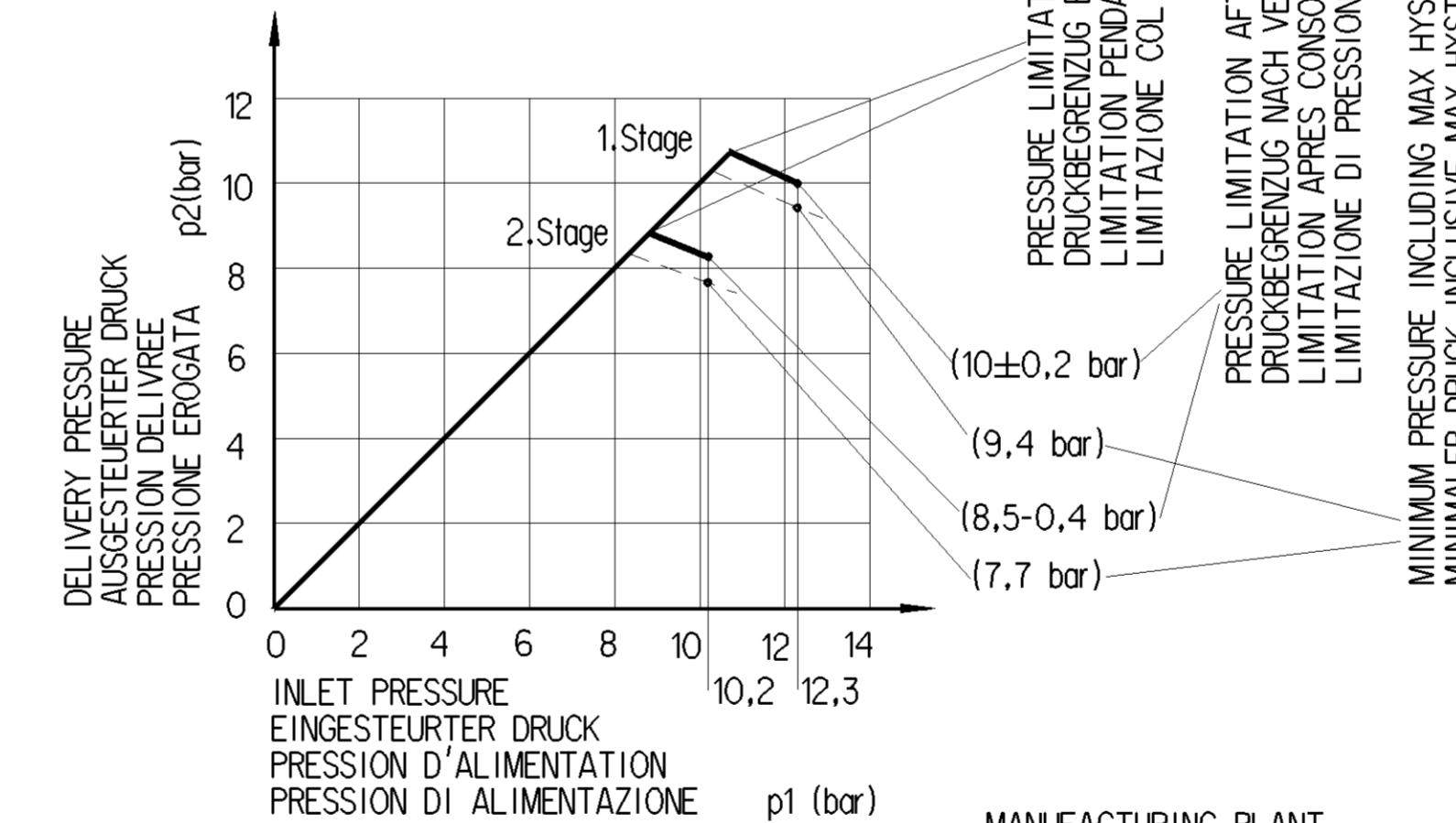
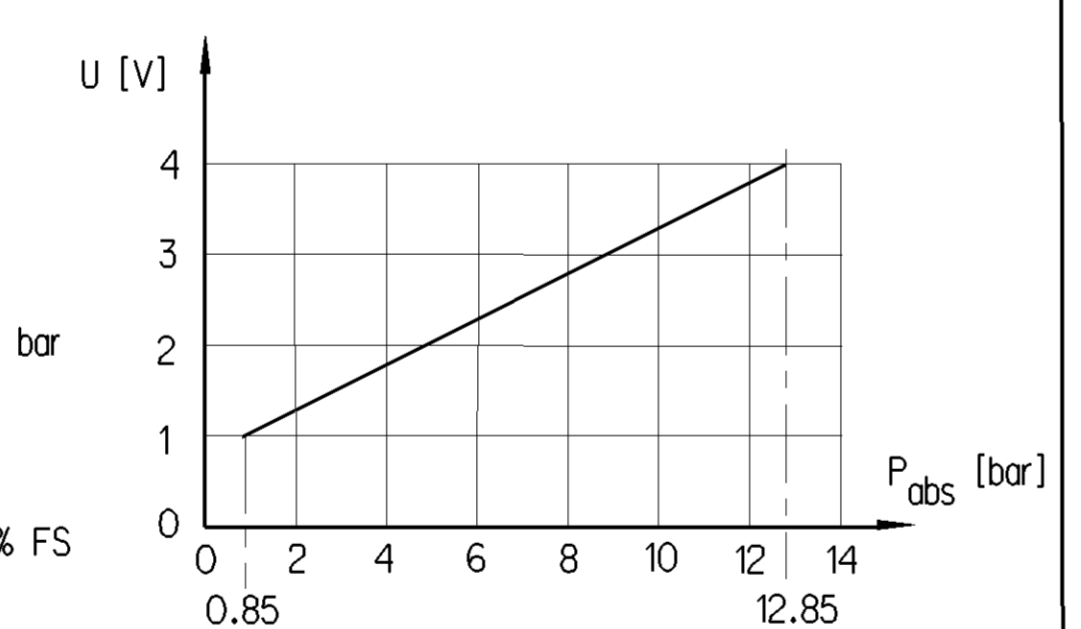
HYSTERESIS : ± 0.2 % FS
 HYSTERESE
 HYSTERESE
 ISTERESI

THERMAL RANGE OF APPLICATION : -40°C... +80°C
 THERMISCHER ANWENDUNGSBEREICH
 PLAGE DE TEMPERATURE EN UTILISATION
 CAMPO TERMICO DI APPLICAZIONE

MEASURING RANGE : 0.85 - 12.85 bar
 ABSOLUTE PRESSURE
 ABSOLUTDRUCK
 PRESSION
 PRESSIONE

ADMISSIBLE OVERPRESSURE : 16 bar
 ZULAESSIGER UEBERDRUCK
 ADMISSIBLE SUPPRESSION
 ADMISSIBILE SOVRAPRESSIONE

PRESSURE SENSOR UNIT
 DRUCKSENSOR
 UNITE DE CAPTEUR DE PRESSION
 UNITA DI SENSORE DI PRESSIONE

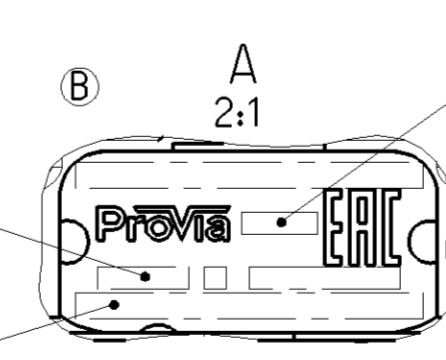


DELIVERY PRESSURE
 AUSGESTEUERTER DRUCK
 PRESSION DELIVEREE
 PRESSIONE EROGATA

INLET PRESSURE
 EINGESTEUERTER DRUCK
 PRESSION D'ALIMENTATION
 PRESSIONE DI ALIMENTAZIONE

DATE OF MANUFACTURE
 HERSTELLDATUM
 DATE OF FABRICATION
 DATA DI FABRICATION

IDENTIFICATION NUMBER
 IDENTIFIZIERUNGS-NUMMER
 NUMERO D'IDENTIFICATION
 NUMERO D'IDENTIFICAZIONE



Cleanliness requirements / Restschmutzanforderungen			
Cleanliness requirements and test cleaning method referring to DBL 6515 and 6516 Restschmutzvorgaben und Restschmutzreinigungsverfahren nach DBL 6515 und 6516			
Size Range/ Partikelgrößenklasse	Size of particle/ Partikelgröße [Pm]	Contamination Category/ Kontaminations- Schlüssel	quantity per 1.000cm ² / Partikelanzahl je 1.000cm ²
F	100 ≤ x < 150	8	250
G	150 ≤ x < 200	6	64
H	200 ≤ x < 400	5	32
J	400 ≤ x < 600	4	16
K	600 ≤ x < 1000	3	8
	1000 ≤ x	00	0

General Specification: JED-534-1, Size ISO 14405 LP	Copyright WABCO	ProVia	
Doc. Code: Sheet: To:	Date: 2018-10-04	Signature: Kolkowski	MULTIPLE-CIRCUIT PROTECTION VALVE MEHRKREIS-SCHUTZVENTIL VALVE DE PROTECTION VALVOLA DI PROTEZIONE
Checked: Marcinkiewicz	Checked: Marcinkiewicz	Expert: Marcinkiewicz	
Class 1) ≤ 50	2) 50 > 180	3) 180 > 400	4) 400 > 630
Fine 0.5	1.0	1.5	2.0
Medium X 1.0	2.0	3.0	4.0
Coarse 2.0	3.0	5.0	6.5
Mass 1.55 kg	Scale 1:1	Material No. PRO 934 005 0	
Size CAD System	Revision 177205	Techn. Resp. 1 X B	Date of first issue: 2017-02-02
1) Tolerance Class Applied Crossmarked	177205	5120_AM	Doc. Code Language Sheet

