

Support Literature:

PB96132	Truck, Tractor and Bus ABS Parts Book
MM30	D-Version ABS for Trucks, Tractors and Buses
MM0112	E-Version ABS for Trucks, Tractors and Buses
TP0186	12-Volt System D and E-Version ABS Blink Code Card
TP06109	Truck, Tractor and Bus ABS Wall Chart
TP94157	Truck, Tractor and Bus ABS Blink Code Diagnostics, All C-Version ECUs

For Service/Aftermarket Orders:

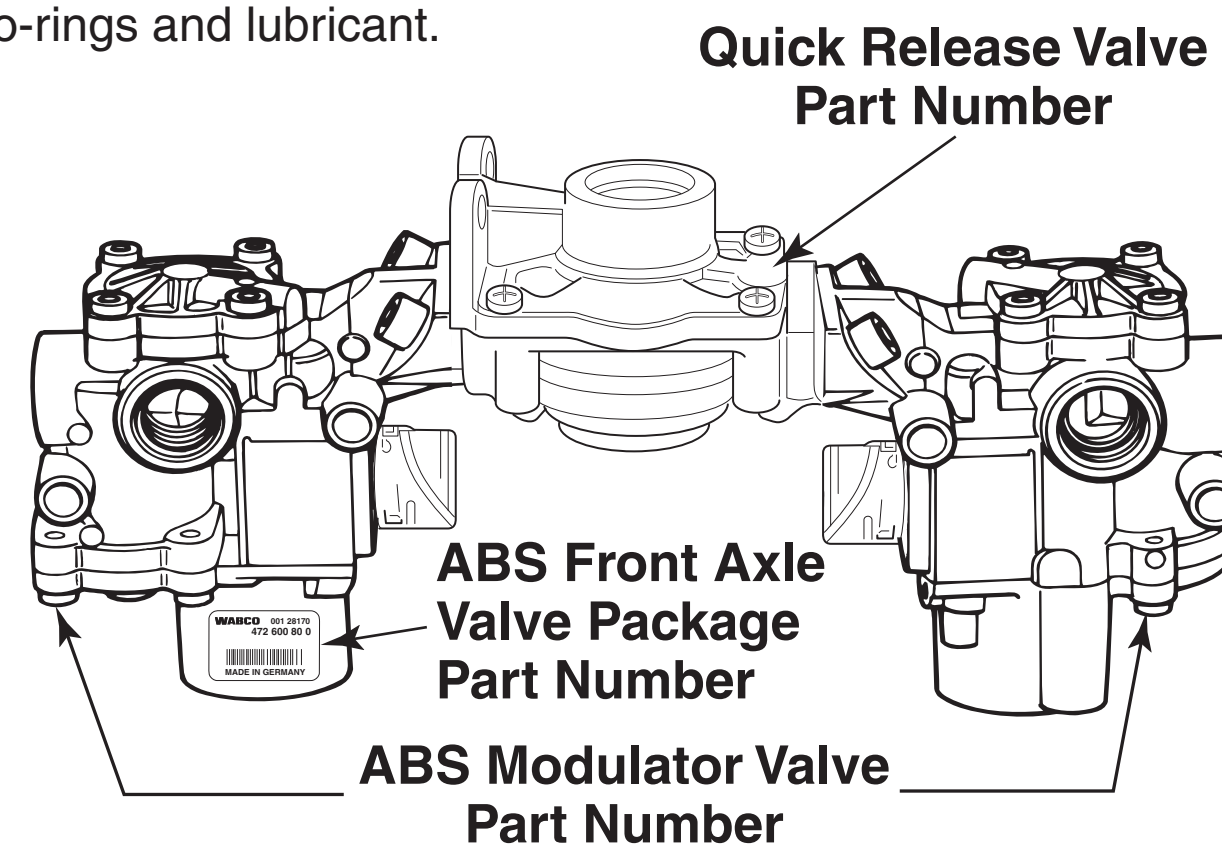
US/Canada	855-228-3203
Mexico	800-953-0248
Email	wabconaorders@zf.com
Product Catalog	www.wabco-customercenter.com

ABS Valve Package (Front Axle)

Provides an alternative to separate valve installation by combining a quick release valve with two ABS modulator valves.

This valve package is compatible with C-, D- and E-Version ECUs. Replacement kits contain replacement valve, bolts, o-rings and lubricant.

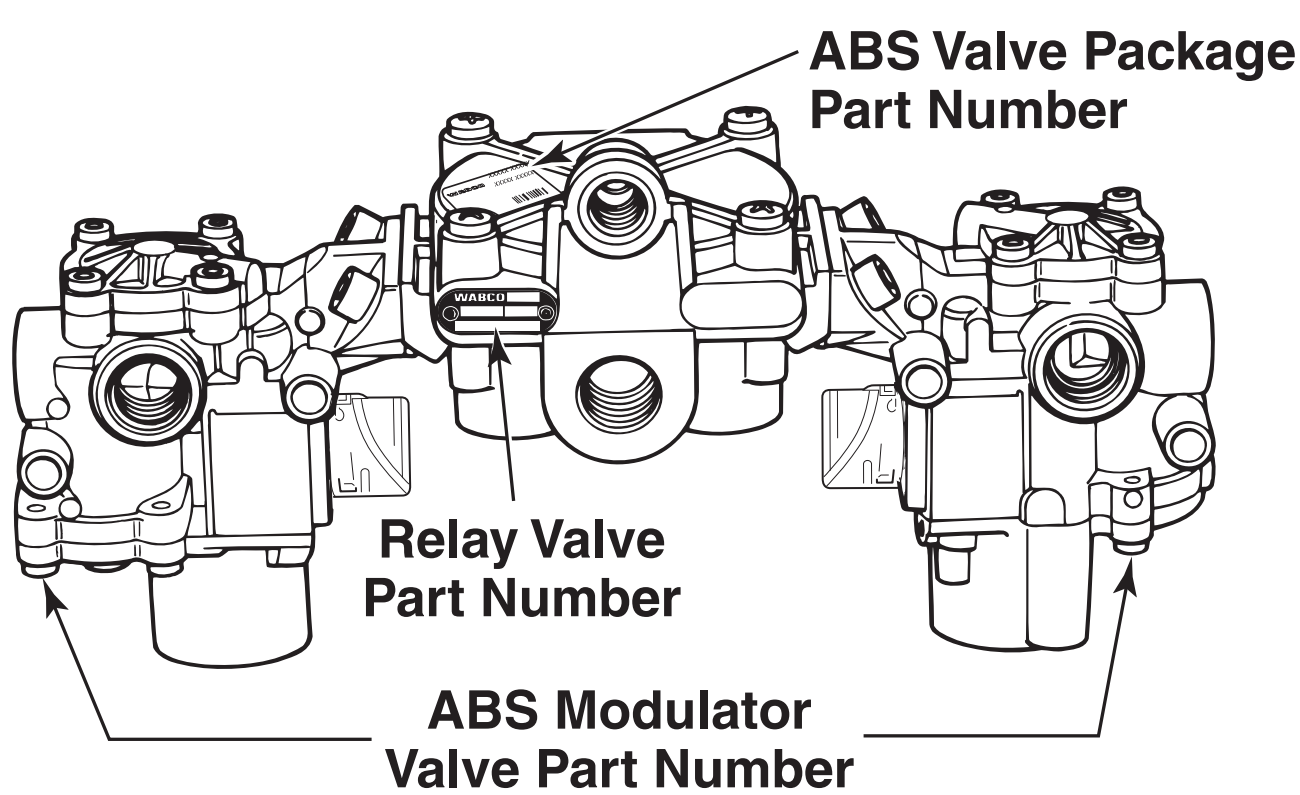
Crack Pressure and Voltage	ABS Valve Package Part Number	Type	OE Part Number	Replacement Kit Part Number
6.0 - 8.0 psi 12 volts Rear Ports	472 500 302 0	Entire Package	472 500 302 0	S472 500 302 0
		Modulator Valve	472 195 080 0	S472 500 003 2
		Modulator Valve	472 195 081 0	S472 500 004 2
		Release Valve	973 500 106 0	R950060
1.0 psi 12 volts Bayonet-Style Connector	472 500 320 0	Entire Package	472 500 320 0	S472 500 320 0
		Modulator Valve	472 195 076 0	S472 195 076 0
		Modulator Valve	472 195 077 0	S472 195 077 0
		Release Valve	973 500 104 0	R950058
		Replacement Kit	472 500 300 0	R955412
3.0 - 4.0 psi 12 volts Bayonet-Style Connector	472 500 321 0	Entire Package	472 500 321 0	S472 500 321 0
		Modulator Valve	472 195 076 0	S472 195 076 0
		Modulator Valve	472 195 077 0	S472 195 077 0
		Release Valve	973 500 105 0	R950059
		Replacement Kit	472 500 301 0	R955413
6.0 - 8.0 psi 12 volts Bayonet-Style Connector	472 500 322 0	Entire Package	472 500 322 0	S472 500 322 0
		Modulator Valve	472 195 076 0	S472 195 076 0
		Modulator Valve	472 195 077 0	S472 195 077 0
		Release Valve	973 500 106 0	R950060
		Replacement Kit	472 500 302 0	R955414



ABS Valve Package (Rear Axle)

Provides an alternative to separate valve installation by combining a service brake relay valve with two ABS modulator valves.

Compatible with C-, D- and E-Version ECUs. Replacement kits contain replacement valve, bolts, o-rings, lubricant and instruction sheet.



ABS System Configuration	ABS Valve Package Part Number	Crack Pressure and Voltage	Type	OE Part Number	Replacement Kit Part Number
4S/4M 6S/4M Rear Ports	472 500 102 0	4.0 psi 12 volt	Entire Package	472 500 102 0	S472 500 102 0
			Modulator Valve	472 195 082 0	S472 500 003 2
			Modulator Valve	472 195 083 0	S472 500 004 2
			Relay Valve	973 011 021 0	S472 500 006 2
4S/4M 6S/4M Rear Ports	472 500 103 0	5.5 psi 12 volt	Entire Package	472 500 103 0	S472 500 101 0
			Modulator Valve	472 195 082 0	S472 500 003 2
			Modulator Valve	472 195 083 0	S472 500 004 2
			Relay Valve	973 011 022 0	S472 500 007 2
4S/4M Bayonet-Style Connector	472 500 120 0	4.0 psi 12 volt	Entire Package	472 500 120 0	S472 500 120 0
			Modulator Valve	472 195 076 0	R953533
			Modulator Valve	472 195 077 0	R953534
			Relay Valve	973 011 021 0	S472 500 006 2
4S/4M Bayonet-Style Connector	472 500 121 0	5.5 psi 12 volt	Entire Package	472 500 121 0	S472 500 121 0
			Modulator Valve	472 195 076 0	R953533
			Modulator Valve	472 195 077 0	R953534
			Relay Valve	973 011 021 0	S472 500 007 2
			Replacement Kit	472 500 100 0	R955410

ABS System Configuration	ABS Valve Package Part Number	Crack Pressure and Voltage	Type	OE Part Number	Replacement Kit Part Number
4S/4M 6S/4M Bayonet-Style Connector	472 500 122 0	4.0 psi 12 volt	Entire Package	472 500 122 0	S472 500 122 0
			Modulator Valve	472 195 078 0	R953535
			Modulator Valve	472 195 079 0	R953536
			Relay Valve	973 011 021 0	S472 500 006 2
4S/4M 6S/4M Bayonet-Style Connector	472 500 123 0	5.5 psi 12 volt	Entire Package	472 500 123 0	S472 500 123 0
			Modulator Valve	472 195 078 0	R953535
			Modulator Valve	472 195 079 0	R953536
			Relay Valve	973 011 022 0	S472 500 007 2
6S/4M plus 1M 6S/6M Bayonet-Style Connector	472 500 124 0	4.0 psi 12 volt	Entire Package	472 500 124 0	S472 500 124 0
			Modulator Valve	472 195 076 0	R953533
			Modulator Valve	472 195 077 0	R953534
			Relay Valve	973 011 023 0	S472 500 006 2
6S/6M Bayonet-Style Connector	472 500 125 0	5.5 psi 12 volt	Entire Package	472 500 125 0	R472 500 125 0
			Modulator Valve	472 195 076 0	R953533
			Modulator Valve	472 195 077 0	R953534
			Relay Valve	973 011 024 0	S472 500 007 2
			Replacement Kit	472 500 105 0	R953560
4S/4M 6S/4M Rear Ports	472 500 132 0	4.0 psi 24 volt	Entire Package	472 500 132 0	S472 500 132 0
			Modulator Valve	472 195 074 0	R953531
			Modulator Valve	472 195 075 0	R953532
			Relay Valve	973 011 021 0	S472 500 006 2
			Replacement Kit	472 500 112 0	R953539
4S/4M 6S/4M Rear Ports	472 500 403 0	5.5 psi 12 volt	Entire Package	472 500 403 0	S472 500 403 0
			Modulator Valve	472 195 082 0	S472 500 004 2
			Modulator Valve	472 195 083 0	S472 500 003 2
			Relay Valve	973 011 022 0	S472 500 007 2
4S/4M 6S/4M Rear Ports	472 500 405 0	5.5 psi 12 volt	Entire Package	472 500 405 0	S472 500 405 0
			Modulator Valve	472 195 082 0	S472 500 004 2
			Modulator Valve	472 195 083 0	S472 500 003 2
			Relay Valve	973 011 024 0	S472 500 007 2
4S/4M Bayonet-Style Connector	472 500 420 0	4.0 psi 12 volt	Entire Package	472 500 420 0	S472 500 420 0
			Modulator Valve	472 195 076 0	R953533
			Modulator Valve	472 195 077 0	R953534
			Relay Valve	973 011 021 0	R472 500 006 2
4S/4M Bayonet-Style Connector	472 500 421 0	5.5 psi 12 volt	Entire Package	472 500 421 0	S472 500 421 0
			Modulator Valve	472 195 076 0	R953533
			Modulator Valve	472 195 077 0	R953534
			Relay Valve	973 011 022 0	S472 500 007 2
4S/4M 6S/4M Bayonet-Style Connector	472 500 422 0	4.0 psi 12 volt	Entire Package	472 500 422 0	S472 500 422 0
			Modulator Valve	472 195 078 0	R953535
			Modulator Valve	472 195 079 0	R953536
			Relay Valve	973 011 021 0	S472 500 006 2
4S/4M 6S/4M Bayonet-Style Connector	472 500 423 0	5.5 psi 12 volt	Entire Package	472 500 423 0	S472 500 423 0
			Modulator Valve	472 195 078 0	R953535
			Modulator Valve	472 195 079 0	R953536
			Relay Valve	973 011 022 0	S472 500 007 2
6S/4M plus 1M 6S/6M Bayonet-Style Connector	472 500 424 0	4.0 psi 12 volt	Entire Package	472 500 424 0	S472 500 424 0
			Modulator Valve	472 195 076 0	R953533
			Modulator Valve	472 195 077 0	R953534
			Relay Valve	973 011 023 0	S472 500 006 2
6S/6M Bayonet-Style Connector	472 500 425 0	5.5 psi 12 volt	Entire Package	472 500 425 0	S472 500 425 0
			Modulator Valve	472 195 078 0	R953535
			Modulator Valve	472 195 079 0	R953536
			Relay Valve	973 011 024 0	S472 500 007 2

ABS/ATC Valve Package (Rear Axle)

Provides an alternative to separate valve installation by combining a service brake relay valve with two ABS modulator valves and one ATC valve — For D- and E-Version ECUs only.

Replacement kits contain replacement valve, bolts, o-rings and lubricant (except ATC Valve).

ABS System Configuration	ABS Valve Package Part Number	Crack Pressure and Voltage	Type	OE Part Number	Replacement Kit Part Number
4S/4M 6S/4M Rear Ports	472 500 203 0	5.5 psi 12 volt	Entire Package	472 500 203 0	S472 500 203 0
			Modulator Valve	472 195 082 0	S472 500 003 2
			Modulator Valve	472 195 083 0	S472 500 004 2
			Relay Valve	973 011 026 0	S472 500 007 2
			ATC Valve	472 170 791 0	S472 170 921 2
4S/4M Bayonet-Style Connector	472 500 220 0	4.0 psi 12 volt	Entire Package	472 500 220 0	S472 500 220 0
			Modulator Valve	472 195 076 0	R953533
			Modulator Valve	472 195 077 0	R953534
			Relay Valve	973 011 026 0	S472 500 006 2
			ATC Valve	472 170 797 0	S472 170 797 0
			Replacement Kit	472 500 201 0	R955403
4S/4M Bayonet-Style Connector	472 500 221 0	5.5 psi 12 volt	Entire Package	472 500 221 0	S472 500 221 0
			Modulator Valve	472 195 076 0	R953533
			Modulator Valve	472 195 077 0	R953534
			Relay Valve	973 011 026 0	S472 500 007 2
			ATC Valve	472 170 797 0	S472 170 797 0
			Replacement Kit	472 500 201 0	R955408
4S/4M 6S/4M Bayonet-Style Connector	472 500 222 0	4.0 psi 12 volt	Entire Package	472 500 222 0	S472 500 222 0
			Modulator Valve	472 195 078 0	R953535
			Modulator Valve	472 195 079 0	R953536
			Relay Valve	973 011 025 0	S472 500 006 2
			ATC Valve	472 170 797 0	S472 170 797 0
			Replacement Kit	472 500 202 0	R955409
4S/4M 6S/4M Bayonet-Style Connector	472 500 223 0	5.5 psi 12 volt	Entire Package	472 500 223 0	S472 500 223 0
			Modulator Valve	472 195 078 0	R953535
			Modulator Valve	472 195 079 0	R953536
			Relay Valve	973 011 026 0	S472 500 007 2
			ATC Valve	472 170 797 0	S472 170 797 0
			Replacement Kit	472 500 205 0	R955405
6S/4M plus 1M 6S/6M Bayonet-Style Connector	472 500 224 0	4.0 psi 12 volt	Entire Package	472 500 224 0	S472 500 224 0
			Modulator Valve	472 195 076 0	R953533
			Modulator Valve	472 195 077 0	R953534
			Relay Valve	973 011 028 0	S472 500 006 2
			ATC Valve	472 170 797 0	S472 170 797 0
			Replacement Kit	472 500 204 0	R955404
6S/4M plus 1M 6S/6M Bayonet-Style Connector	472 500 225 0	5.5 psi 12 volt	Entire Package	472 500 225 0	S472 500 225 0
			Modulator Valve	472 195 078 0	R953533
			Modulator Valve	472 195 079 0	R953534
			Relay Valve	973 011 028 0	S472 500 007 2
			ATC Valve	472 170 797 0	S472 170 797 0
			Replacement Kit	472 500 205 0	R955405
4S/4M 6S/4M Bayonet-Style Connector	472 500 226 0	5.5 psi 12 volt	Entire Package	472 500 226 0	S472 500 226 0
			Modulator Valve	472 195 078 0	R953535
			Modulator Valve	472 195 079 0	R953536
			Relay Valve	973 011 028 0	S472 500 007 2
			ATC Valve	472 170 797 0	S472 170 796 0
4S/4M 6S/4M Bayonet-Style Connector	472 500 232 0	4.0 psi 24 volt	Entire Package	472 500 232 0	S472 500 232 0
			Modulator Valve	472 195 074 0	R953531
			Modulator Valve	472 195 075 0	R953532
			Relay Valve	973 011 025 0	S472 500 007 2
			ATC Valve	472 170 796 0	S472 170 797 0
			Replacement Kit	472 500 212 0	R955406
4S/4M Bayonet-Style Connector	472 500 520 0	4.0 psi 12 volt	Entire Package	472 500 520 0	S472 500 520 0
			Modulator Valve	472 195 076 0	R953533
			Modulator Valve	472 195 077 0	R953534
			Relay Valve	973 011 025 0	S472 500 006 2
			ATC Valve	472 170 797 0	S472 170 797 0

ABS System Configuration	ABS Valve Package Part Number	Crack Pressure and Voltage	Type	OE Part Number	Replacement Kit Part Number
4S/4M Bayonet-Style Connector	472 500 521 0	5.5 psi 12 volt	Entire Package	472 500 521 0	S472 500 521 0
			Modulator Valve	472 195 076 0	R953533
			Modulator Valve	472 195 077 0	R953534
			Relay Valve	973 011 026 0	S472 500 007 2
			ATC Valve	472 170 797 0	S472 170 797 0
4S/4M 6S/4M Bayonet-Style Connector	472 500 522 0	4.0 psi 12 volt	Entire Package	472 500 522 0	S472 500 522 0
			Modulator Valve	472 195 078 0	R953535
			Modulator Valve	472 195 079 0	R953536
			Relay Valve	973 011 026 0	S472 500 006 2
			ATC Valve	472 170 797 0	S472 170 797 0
4S/4M 6S/4M Bayonet-Style Connector	472 500 523 0	5.5 psi 12 volt	Entire Package		