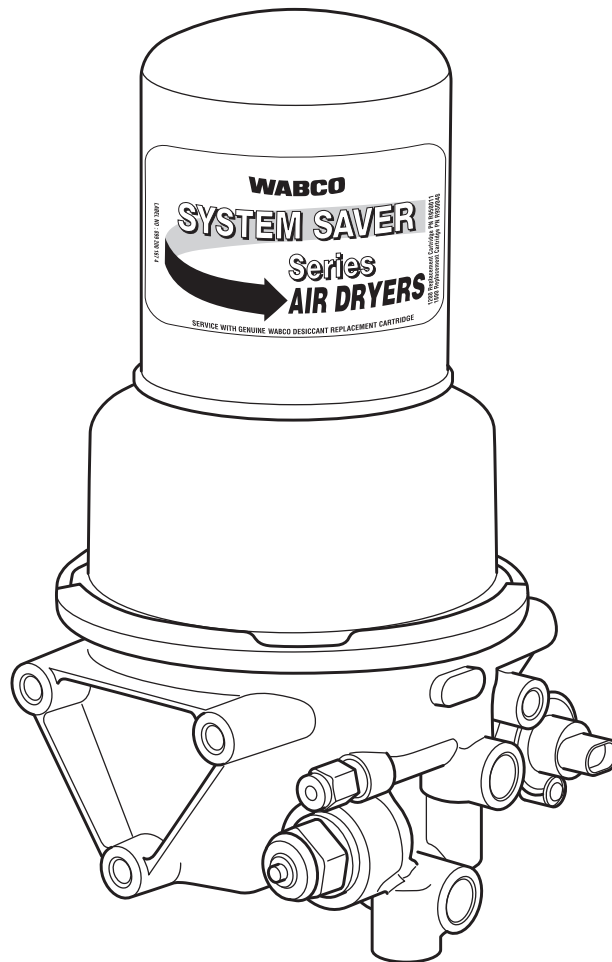


REPLACING THE DESICCANT CARTRIDGE ON WABCO'S SYSTEM SAVER HP AIR DRYER

SERVICE PARTS INSTRUCTIONS



TP18021

WABCO

Mobilizing Vehicle Intelligence

Table of Contents

1	General Information	4
2	Safety Information.....	6
3	How to Obtain Additional Maintenance, Service and Product Information	7
4	How to Obtain Parts and Kits.....	7
5	Important Information.....	7
6	Replacing the Desiccant Cartridge	8

Edition 1

Version 1 (09.2020)
TP18021 (en)

This publication is not subject to any update service. Information contained in this publication was in effect at the time the publication was approved for printing and is subject to change without notice or liability. WABCO reserves the right to revise the information presented or to discontinue the production of parts described at any time.

1 General Information

Symbols used in this document

DANGER

Description of an immediate situation which will result in irreversible injury or death if the warning is ignored.

WARNING

Description of a possible situation which may result in irreversible injury or death if the warning is ignored.

CAUTION

Description of a possible situation which may result in irreversible injury if the warning is ignored.

NOTICE

Description of a possible situation which may result in material damage if the warning is ignored.



Important information, notes and/or tips



Reference to information on the internet

1. Action step

- Action step

⇒ Consequence of an action

■ List

• List

 **Note on the use of a tool/WABCO tool**

How to Obtain Additional Maintenance, Service and Product Information

If you have any questions about the material covered in this publication, or for more information about the WABCO product line, please contact the WABCO Customer Care Center at 855-228-3203, by email at wnacustomercare@wabco-auto.com, or visit our website: www.wabco-na.com.

General Information

WABCO Academy



<https://www.wabco-academy.com/home/>

WABCO online product catalog



<https://www.wabco-customercenter.com>

Your direct contact to WABCO

WABCO North America LLC
WABCO USA LLC
1220 Pacific Drive
Auburn Hills, MI 48326
Customer Care Center: (855) 228-3203
www.wabco-na.com

2 Safety Information

Provisions for a safe work environment

- Only trained and qualified auto technicians and auto mechanics may carry out work on the vehicle.
- Read this publication carefully.
- Follow all warnings, notices and instructions to avoid personal injury and property damage.
- Always abide by the vehicle manufacturer's specifications and instructions.
- Observe all accident regulations of the respective company as well as regional and national regulations.
- The workplace should be dry, sufficiently lit and ventilated.
- Use personal protective equipment if required (safety shoes, protective goggles, respiratory protection and ear protectors).

Read and observe all Danger, Warning and Caution hazard alert messages in this publication. They provide information that can help prevent serious personal injury, damage to components, or both.

WARNING

To prevent serious eye injury, always wear safe eye protection when you perform vehicle maintenance or service.

WARNING

Park the vehicle on a level surface. Block the wheels to prevent the vehicle from moving. Support the vehicle with safety stands. Do not work under a vehicle supported only by jacks. Jacks can slip or fall over. Serious personal injury and damage to components can result.

WARNING

Release all air from the air systems before you remove any components. Pressurized air can cause serious personal injury. Refer to the vehicle manufacturer's service manual for instructions.

3 How to Obtain Additional Maintenance, Service and Product Information

Refer to Maintenance Manual MM1736, System Saver HP Air Dryer on www.wabco-na.com, for additional information. If you have any questions about the material covered in this service parts instructions, or for information about the WABCO product line, please contact the WABCO Customer Care Center at 855-228-3203 or visit our website: wabco-na.com.

4 How to Obtain Parts and Kits

Contact WABCO Customer Care Center at 855-228-3203 (US / Canada), 800-953-0248 (Mexico) or by email wnacustomer@wabco-auto.com.

5 Important Information

The System Saver HP air dryer is available in both a coalescing and non-coalescing version. On the coalescing version of the System Saver HP air dryer, there is a unique thread on the body that is **only compatible with a genuine WABCO coalescing cartridge which also includes a unique thread** (see replacement matrix). This ensures that the vehicles built with coalescing air dryers will always have a high-quality coalescing cartridge for the best drying performance.

The WABCO coalescing cartridge with unique thread is backwards compatible with all WABCO air dryers.

NOTICE

Use of a non-genuine WABCO coalescing cartridge can result in potential damage to the air dryer.

Coalescing Cartridge Replacement Matrix

AIR DRYER P/N	REPLACEMENT CARTRIDGE P/N
432 480 141 0	432 901 248 2
432 480 341 0	432 901 248 2

6 Replacing the Desiccant Cartridge

A replacement kit contains one cartridge and one O-ring. Figure 1.

Fig. 1



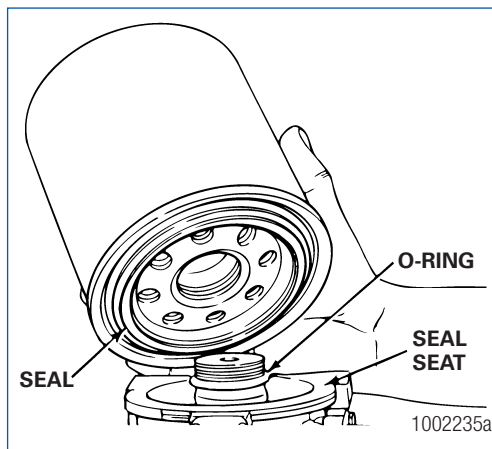
1. Loosen and remove the old cartridge. Use a strap wrench if necessary.
2. Remove and discard O-ring from dryer base.



If seats do not ensure a tight seal, replace the air dryer.

3. Inspect and clean seal seats. Repair any damage.
4. Lubricate and install the new O-ring on stem.
5. Thread the replacement cartridge onto the air dryer base until the seal touches the base. Tighten the cartridge clockwise one additional turn. Do not overtighten. Figure 2.

Fig. 2





**For further product details contact your distributor or the
WABCO Customer Care Center at 855-228-3203.**

About ZF Friedrichshafen AG

ZF is a global technology company and supplies systems for passenger cars, commercial vehicles and industrial technology, enabling the next generation of mobility. ZF allows vehicles to see, think and act. In the four technology domains Vehicle Motion Control, Integrated Safety, Automated Driving, and Electric Mobility, ZF offers comprehensive solutions for established vehicle manufacturers and newly emerging transport and mobility service providers. ZF electrifies different kinds of vehicles. With its products, the company contributes to reducing emissions and protecting the climate.

ZF, which acquired WABCO Holdings Inc. on May 29, 2020, now has 162,000 employees worldwide with approximately 260 locations in 41 countries. In 2019, the two then-independent companies achieved sales of €36.5 billion (ZF) and \$3.4 billion (WABCO). For more information, visit www.wabco-na.com.

WABCO

Mobilizing Vehicle Intelligence